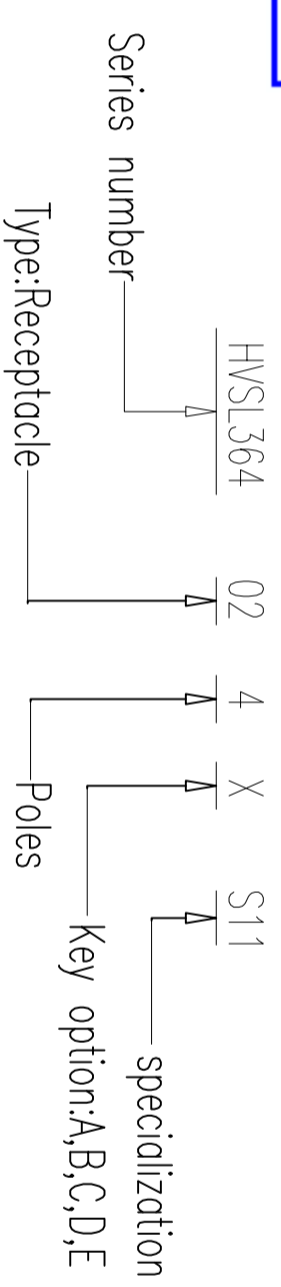


Amphenol PCD SZ
ORIGINAL
PDF Format

安费诺精密连接器(深圳)有限公司
Amphenol PCD Shenzhen
受控文件
2021年6月8日

PART NUMBERING SCHEME



Material
Housing : PA66 UL94-V0
Contacts: Copper alloy, Silver plated
Shield: Copper alloy, Tin plated
Seal: Silicone

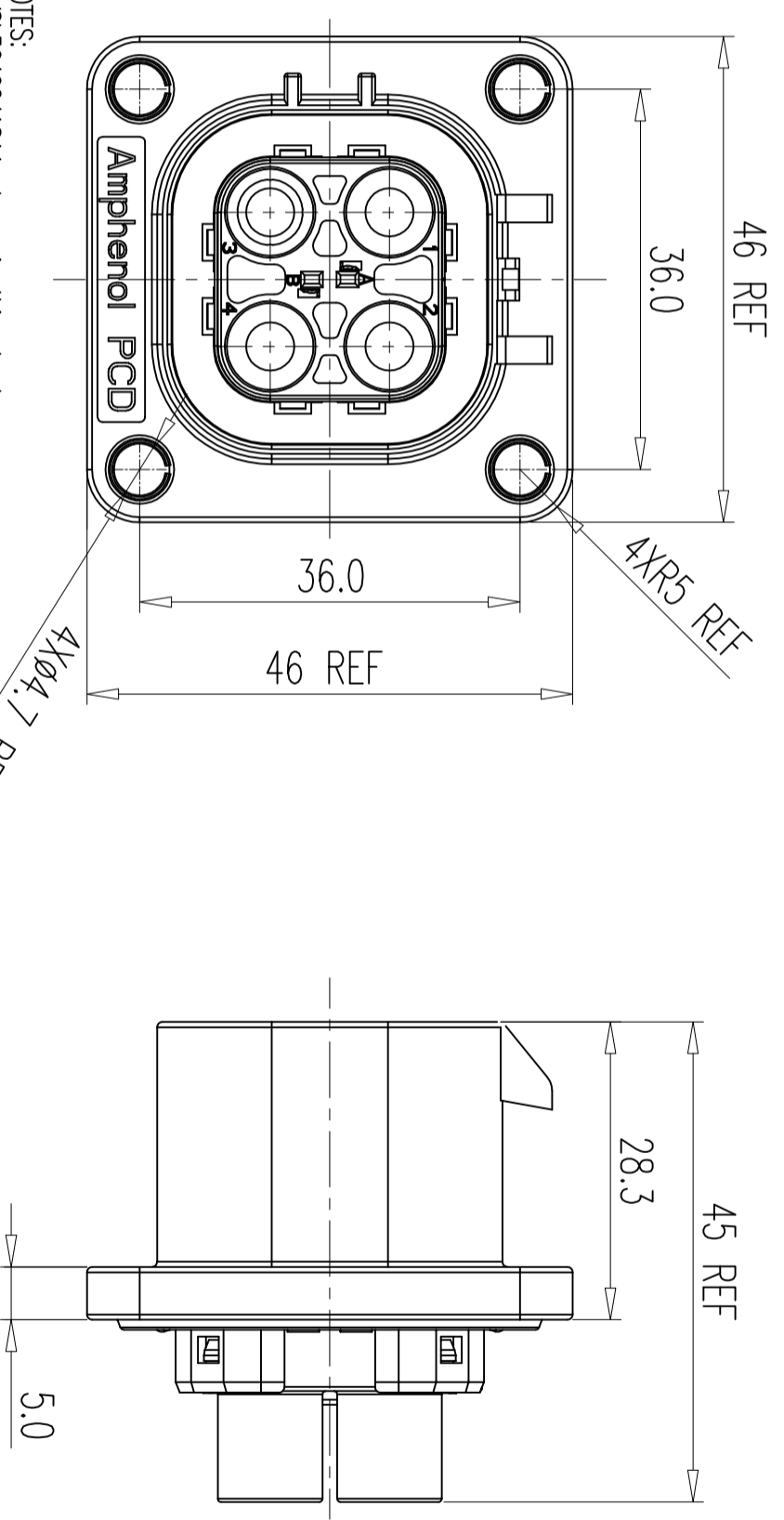
* Rated Current :
60A(10mm²cable-power contact C3100235011)
80A(6AWG/13.3mm²cable-power contact P03BS00081)
80A(16mm²cable-power contact P03BS00081)

APPLICATION: POLLUTION DEGREE II
OVERVOLTAGE CATEGORY II
INHOMOGENEOUS FIELD
ALTITUDE NO MORE THAN 2000M

★ IS CRITICAL CHARACTERISTIC SYMBOL
◎ IS IMPORTANT CHARACTERISTIC SYMBOL

C-HVSL364024XS11

TECHINCAL DATA		SPECIAL CHARACTERISTICS SYMBOL
VOLTAGE RATING	POWER CONTACT 1000V AC&DC	★
	SIGNAL CONTACT 30VAC&60VDC	
WITHSTAND VOLTAGE	POWER CONTACT 3000V AC	★
	SIGNAL CONTACT 660VAC	
INSULATION RESISTANCE	DC1000V>200MΩ	★
CURRENT RATING	SIGNAL CONTACT 5A(0.35-0.5mm ²)	★
	POWER CONTACT 60A (10mm ²)	
	80A (16mm ²) (6AWG/13.3mm ²)	
WATER PROOF (MATED CONDITION)	IP67	★
IP FOR FINGER TOUCH (UNMATED CONDITION)	IP2XB	★
SHIELDING FUNCTION	YES	NA
MAX MATING CYCLES	50 TIMES	◎
OPERATION TEMP.	-40-125°C	NA
WIRE RANGE	10mm ² -16mm ²	NA
ROHS COMPLIANCE	YES	★



*NOTES:
1.HVSL364024AS11 shown in this sheet
2.Wiring capability for power contact 10mm², 6AWG/13.3mm², 16mm²
3.Contact should be ordered separately/端子需要根据使用的电流和线径单独购买
Power contact:10mm²: C3100235011, 6AWG(13.3mm²) AND 16mm²: P03BS00081, Use level:4pcs
HVL contact:C310003614S (0.35mm²& 0.5mm²),Use level:2pcs
4.Tight torque with mounting plate: 2N*M

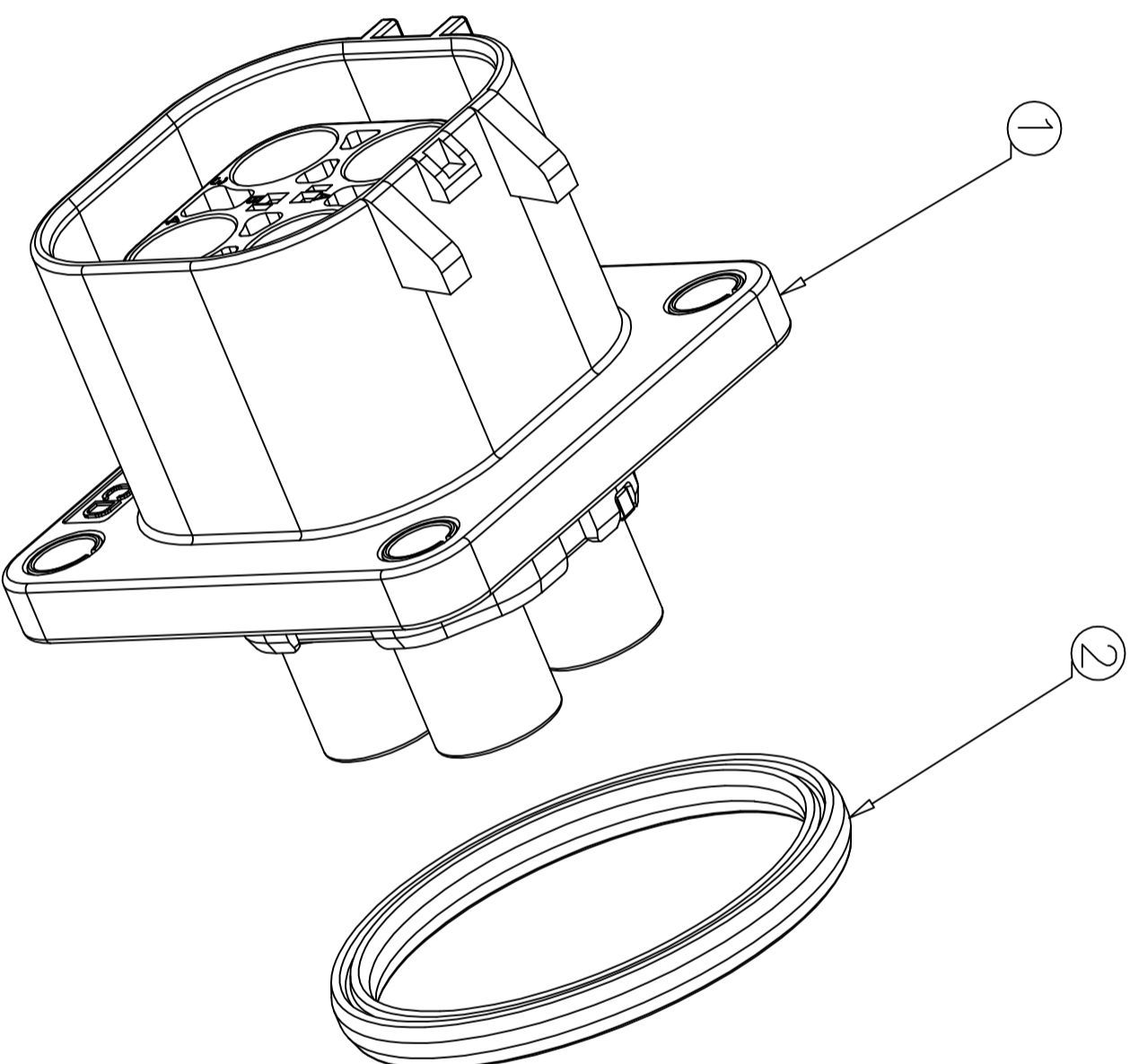
DIMENSIONS	TOLERANCES	PROJECTION	TITLE	
ANSI Y14.5M UNITS: MM CAD FILE	X ± 0.5 XX ±0.05 ANGLES ±2°		Amphenol PCD Shenzhen	HVSL364 4P RECEPTACLE
ORIGINAL	THIS DOCUMENT CONTAINS PROPRIETARY INFORMATION WHICH IS THE CONFIDENTIAL PROPERTY OF Amphenol PCD Shenzhen Co., Ltd RESERVES THE RIGHT TO CLARIFY THIS DRAWING		CHKD APPD	SIZE A3
			CODE: 58982	DWG NO. C-HVSL364024XS11
			SCALE NONE	REV 1
			SHEET 1	OF 3

C-HVSL364024XS11

C-HVSL364024XS11

安费诺精密连接器(深圳)有限公司
 Amphenol PCD Shenzhen
 受控文件
 2021年6月8日

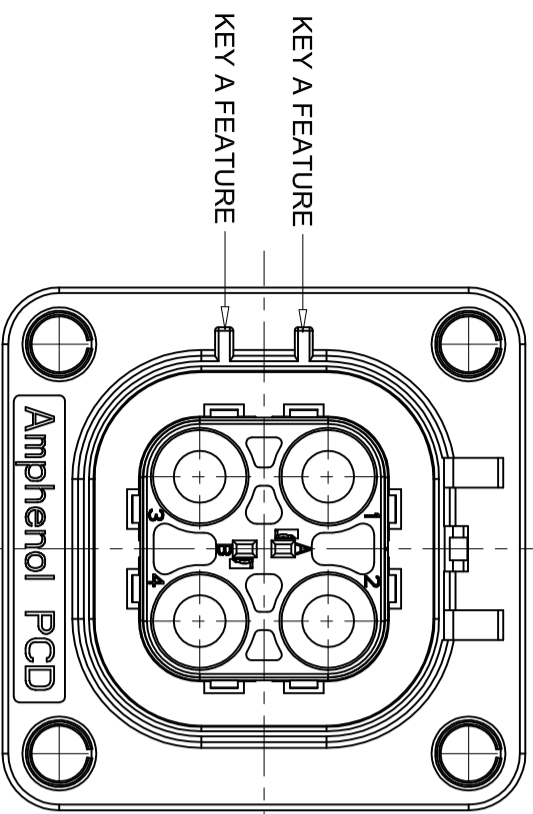
C-HVSL364024XS11



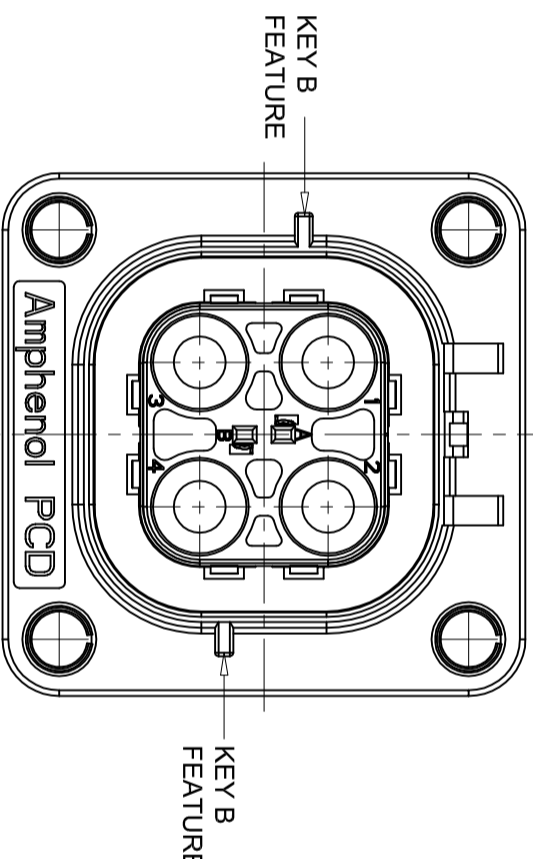
C-HVSL364024XS11

HVSL364024XS11	2	C4270011601	1	
	ITEM	HVSL364024XS11	1	
Assembly P/N		COMPONENT P/N	QTY	REMARKS

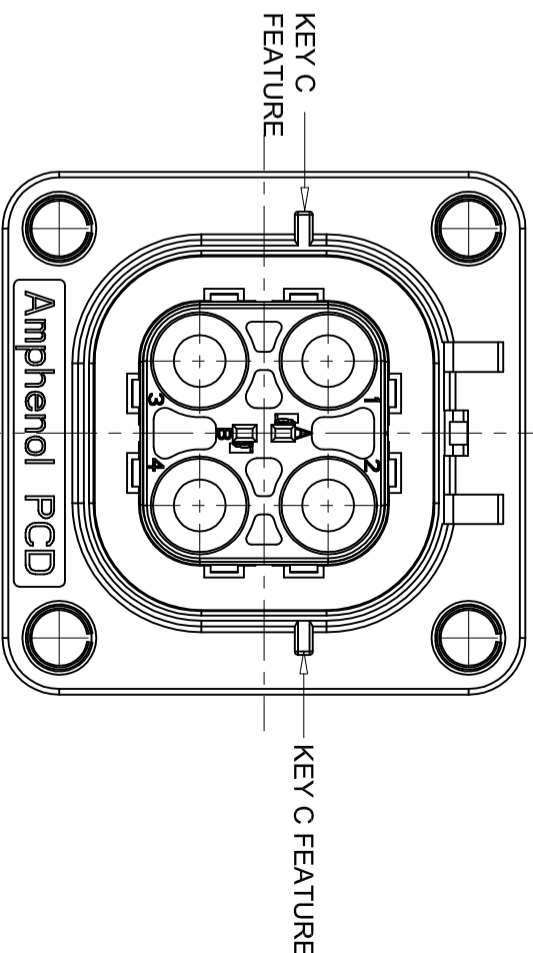
SIZE	DWG NO.	REV
A3	C-HVSL364024XS11	1
CODE: 58982	SCALE NONE	SHEET 2 OF 3



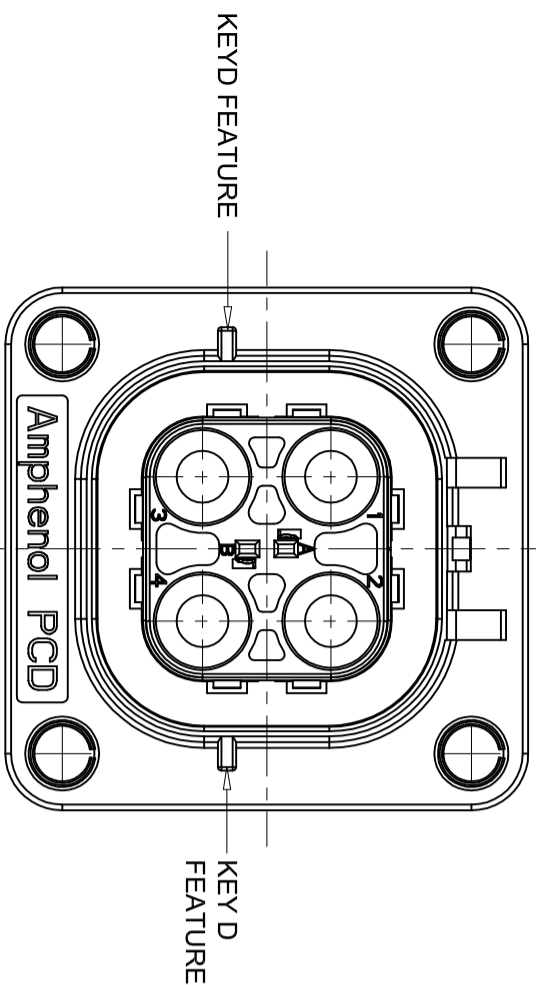
KEY A
HVSL364024AS11



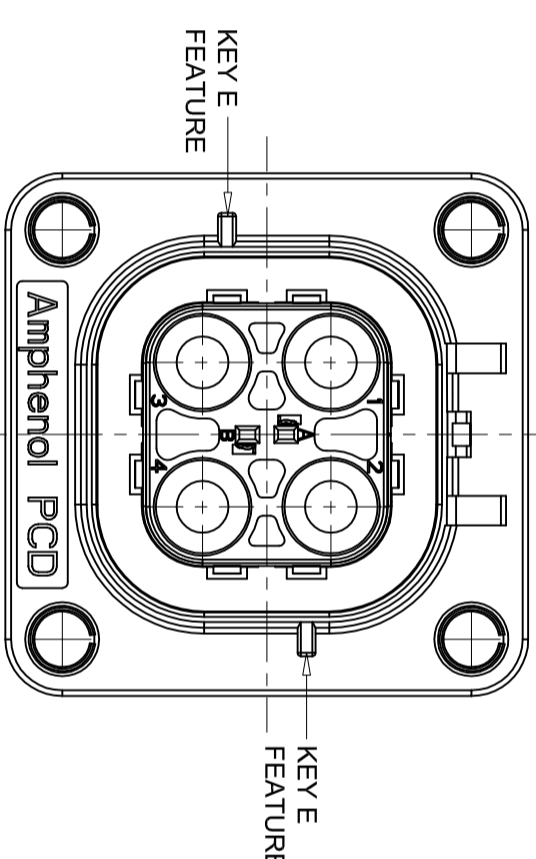
KEY B
HVSL364024BS11



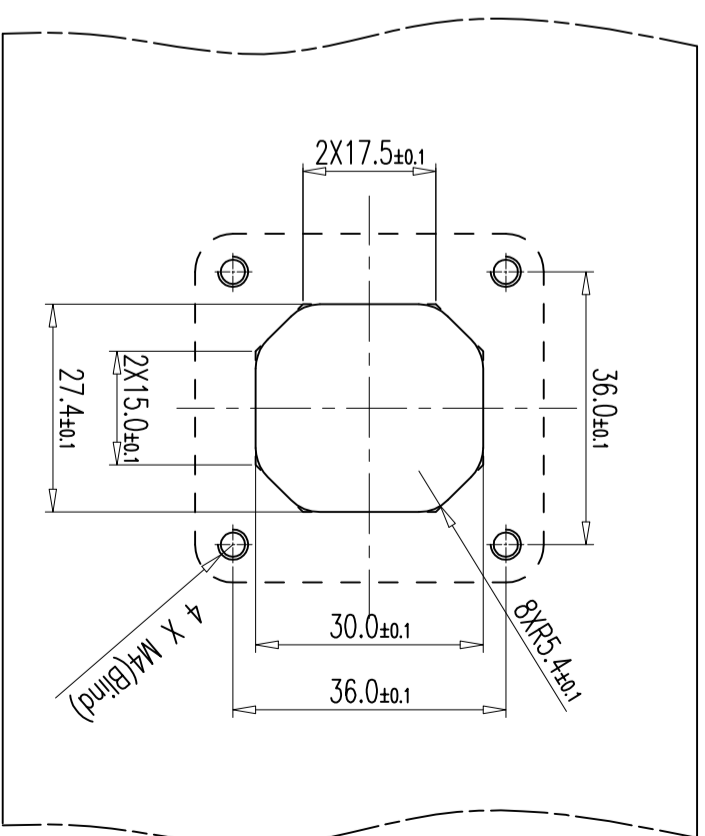
KEY C
HVSL364024CS11



KEY D
HVSL364024DS11



KEY E
HVSL364024ES11



MOUNTING INTERFACE SPECIFICATION
RECOMMENDED THICKNESS:3.0mm Min

C-HVSL364024XS11

C-HVSL364024XS11

SIZE	DWG NO.	REV
A3	C-HVSL364024XS11	1
CODE: 58982	SCALE NONE	SHEET 3 OF 3