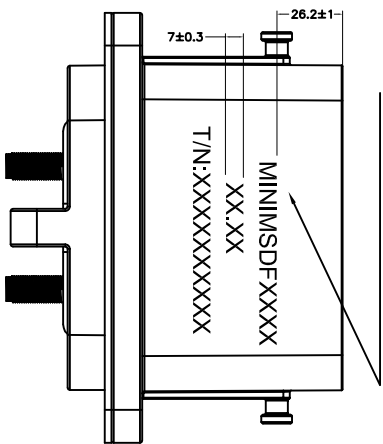
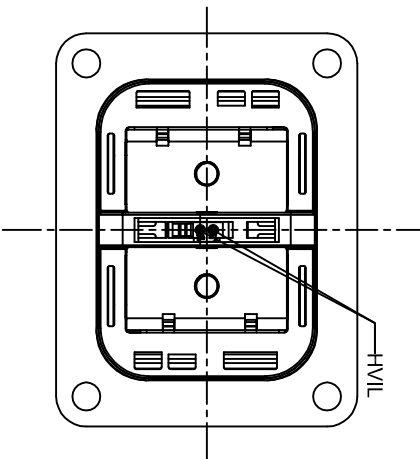
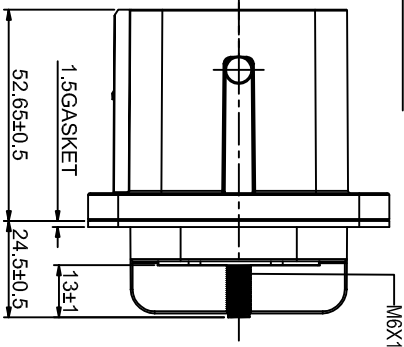
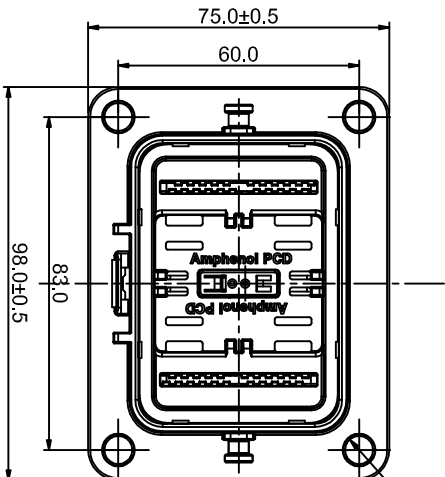


激光刻字, 字体Arial, 内容居中, 字号1mm  
 MINIMSDFXXXX: 具体的工单产品型号  
 XX.XX: 具体的生产年/周  
 T/N: XXXXXXXXXX



印字示意图

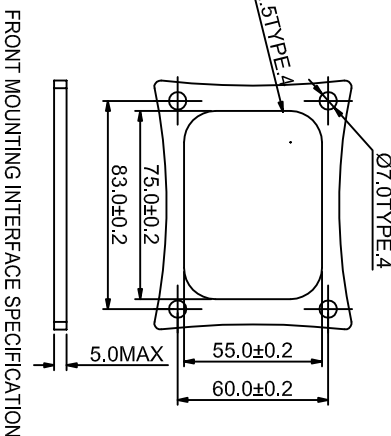
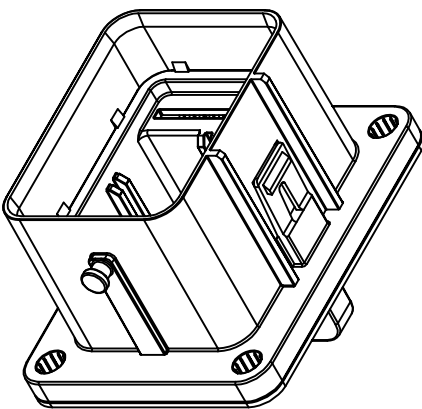
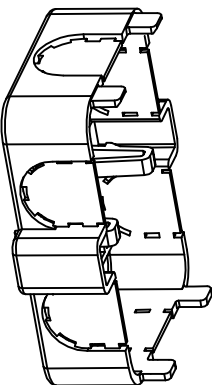


MINIMSDF000F

Technical Specifications

- 1.THREADED STUD TORQUE LIMITS (M6):5.3Nm
- 2.HVIL CONNECTOR: MSD-HVIL-2S
- 3.MOUNTING SURFACE THICKNESS: MAX 5mm 法兰安装板厚度: 最大5mm
- 4.INNER HOUSING MAY BE ASSEMBLED ROTATED 180  
 内部插座有可能与图纸中方向相差180°
- 5.额定工作电压:1)带保险丝: 最大690V AC 2)不带保险丝:最大1500VDC
- 6.额定工作电压:1)MOUNTING FUSE 690V AC, 2)SHUNT, 1500V DC
- 7.1.工作环境温度: -40°C~+50°C  
 operate Temperature: -40°C~+50°C
- 8.相对湿度:40%~70% (温度为23±5°C)
- 9.Humidity: 40%~70% (23±5°C)
- 9.1P CODE:IP67, IP6K9K(MATED)

MSD保护罩



FRONT MOUNTING INTERFACE SPECIFICATION

10. 客户型号对应 Amphenol 型号, 只是外壳印字不一样。

MSD100X1对应  
 MINIMSDF000F

Amphenol PCD SZ

ORIGINAL  
 PDF Format  
 05 Sep.17R&D

DIMENSIONS	ANSI Y14.5M	TOLERANCES	.X ± 0.5	PROJECTION		THIS DOCUMENT CONTAINS PROPRIETARY INFORMATION WHICH IS THE CONFIDENTIAL PROPERTY OF AMPHENOL PCD SHENZHEN	TITLE	Amphenol Pcd Shenzhen					
	UNITS:MM		.XX ± 0.3					ANGLES ± 1°	CHKD	ENGR	APPD		
ORIGINAL NOT FOR CUSTOMER DISTRIBUTION							MINI-MSD前安装插座	SIZE	A3	DWG NO.	MINIMSDF000F	REV	1
								SCALE	X:X	SHEET	1 OF 1		