

C-HVSL1400022XYD8S6

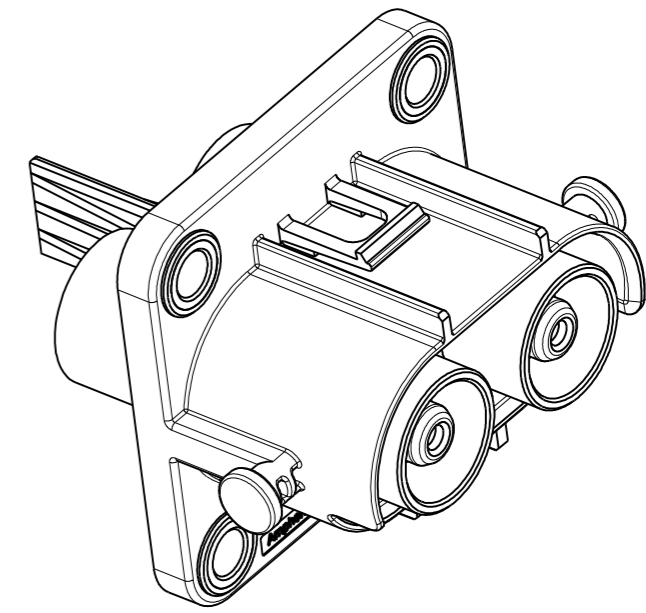
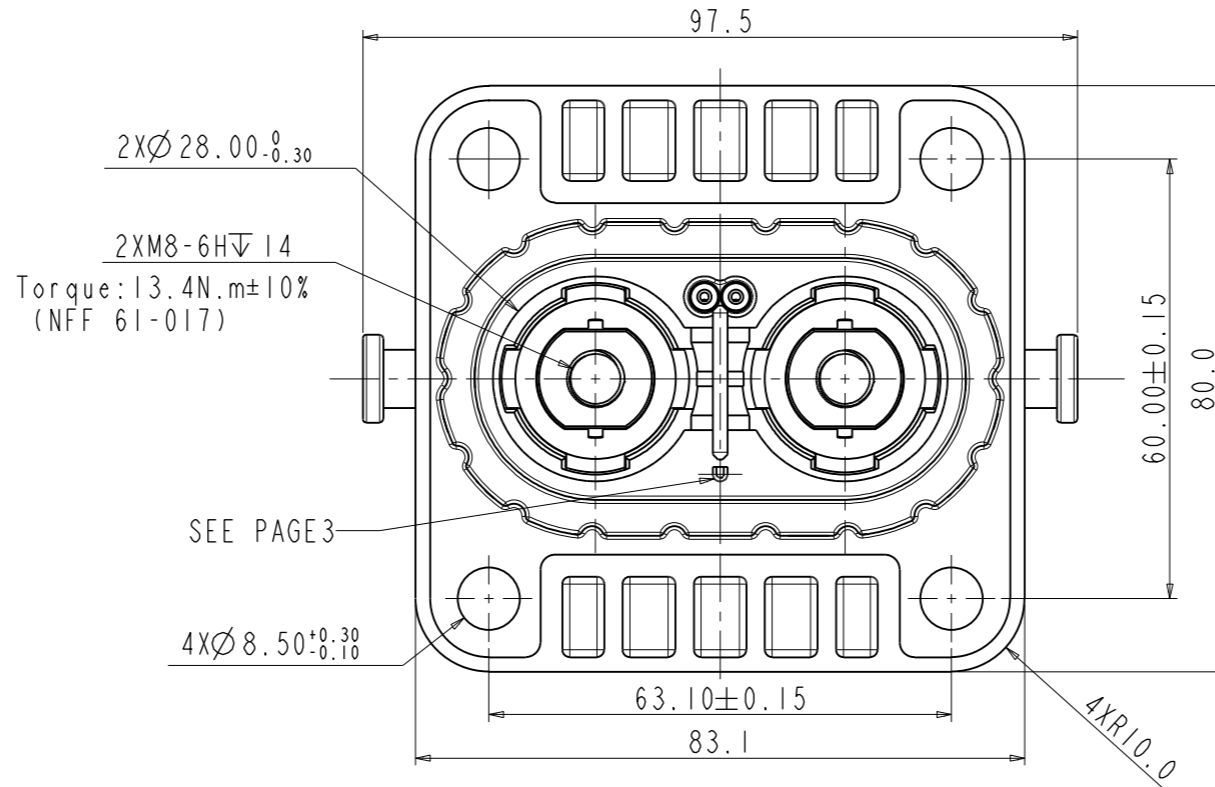
安费诺精密连接器(深圳)有限公司
Amphenol PCD Shenzhen

受控文件

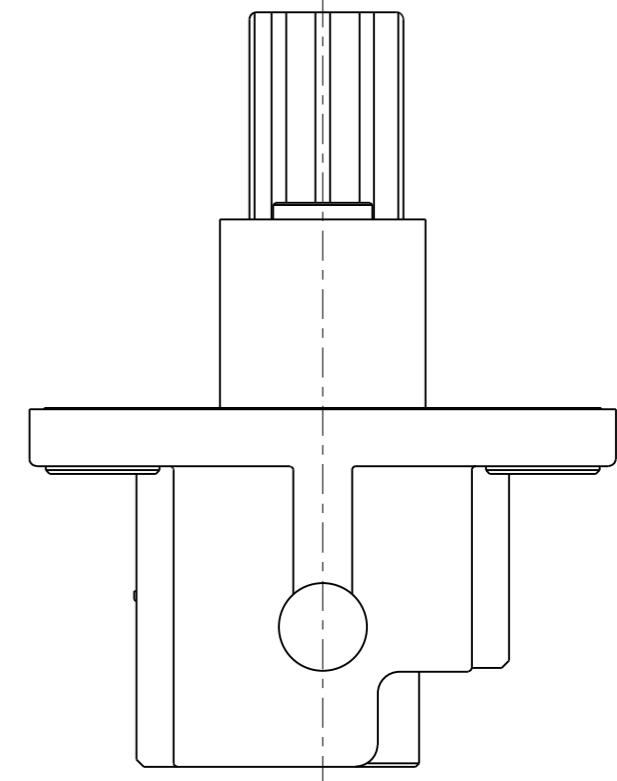
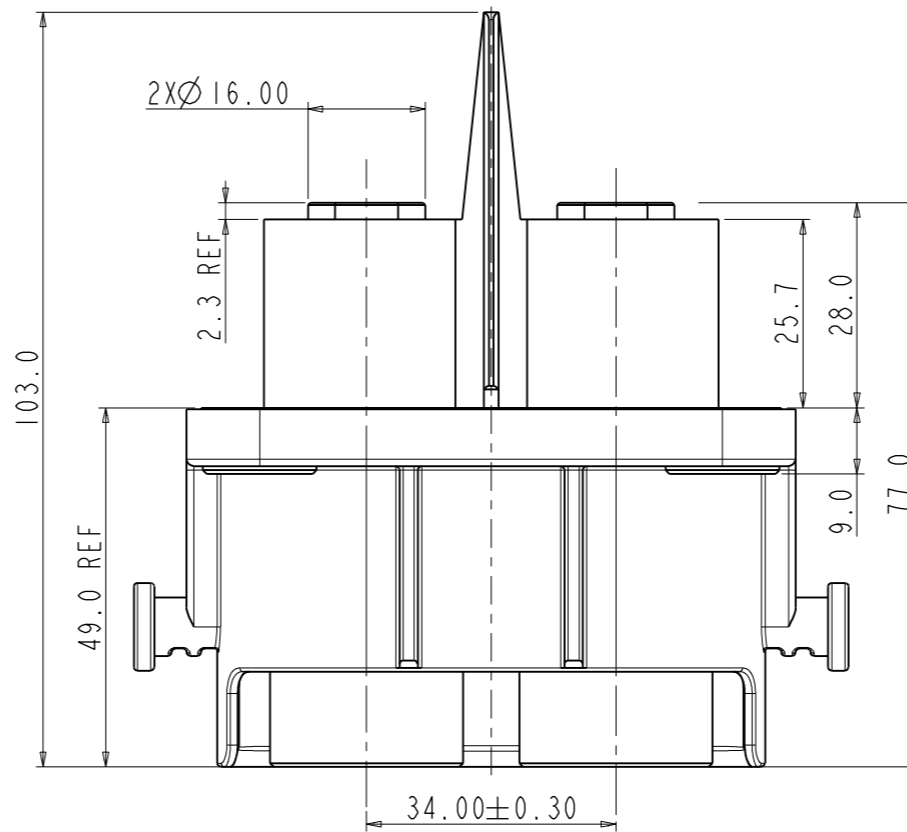
2021年6月16日

APPLICATION:
POLLUTION DEGREE 2 / 污染等级 2
OVERVOLTAGE CATEGORY II / 过电压类别 II
INHOMOGENEOUS FIELD / 非均匀电场
ALTITUDE NO MORE THAN 2000m / 海拔不高于2000m

✦ CRITICAL CHARACTERISTICS 关键特性
◎ IMPORTANT CHARACTERISTICS 重要特性



比例 4:5



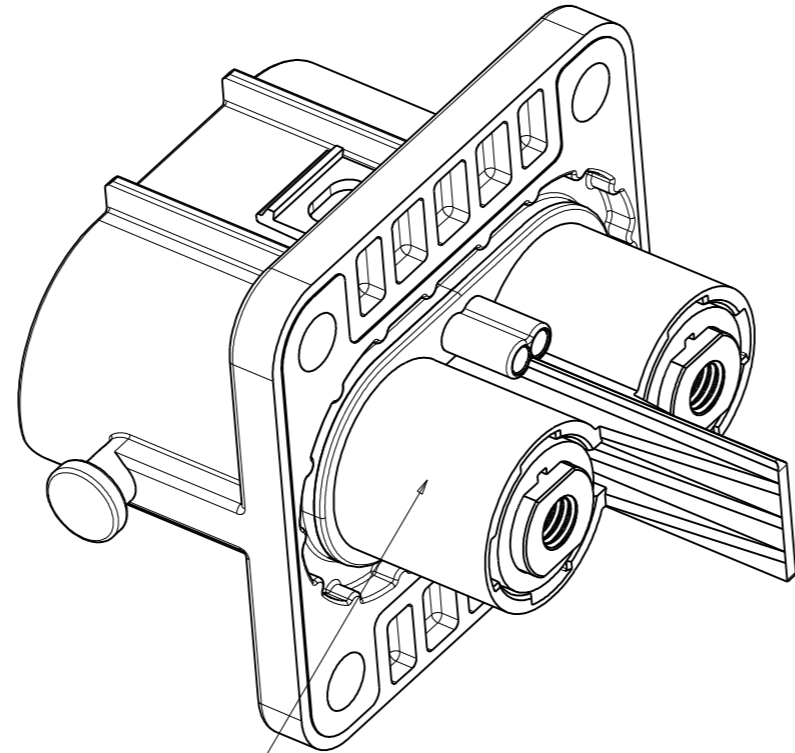
TECHNICAL DATA

CURRENT RATE 120mm ² WIRE	430A	✦
CURRENT RATE 95mm ² WIRE	370A	✦
CURRENT RATE 70mm ² WIRE	250A	✦
VOLTAGE RATE	1000V AC	✦
OPERATING TEMPERATURE	-40-125°C	NA
DIELECTRIC WITHSTANDING VOLTAGE	POWER PIN: 3000V AC	✦
	SIGNAL PIN: 660V AC	
INSULATION RESISTANCE	>200MΩ(1000VDC)	✦
DURABILITY	50 CYCLES	◎
SHIELDING	YES	NA
WATERPROOF (MATED CONDITION)	IP67 IP6K9K	✦
CORROSION-PROOF GRADE(SALT FOG TEST)	96 HOURS	NA
AMBIENT TEMPERATURE	-40-70°C	NA
SIGNAL PIN CURRENT	5A	NA

C-HVSL1400022XYD8S6

C-HVSL1400022XYD8S6

DIMENSIONS ANSI Y14.5M UNITS: MM Pro/E FILE	TOLERANCES .X ±0.5 .XX ±0.05 ANGLES ±2°	PROJECTION 	TITLE 			
			HVSL1400 SOCKET			
ORIGINAL	THIS DOCUMENT CONTAINS PROPRIETARY INFORMATION WHICH IS THE CONFIDENTIAL PROPERTY OF Amphenol PCD Shenzhen Co. Ltd Amphenol PCD Shenzhen Co. Ltd RESERVES THE RIGHT TO CLARIFY THIS DRAWING		CHKD	SIZE A3	DWG NO. C-HVSL1400022XYD8S6	REV 1
			ENGR	APPD	CODE: 58982	SCALE: 1:1



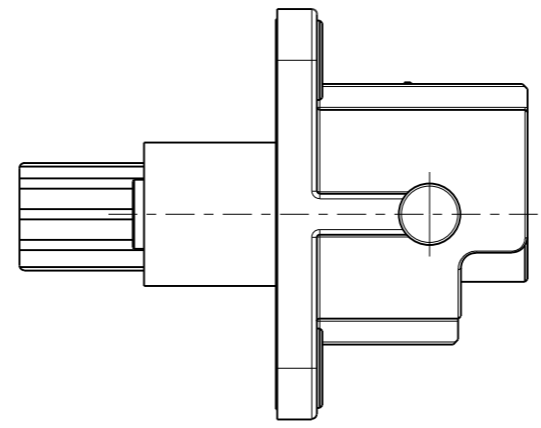
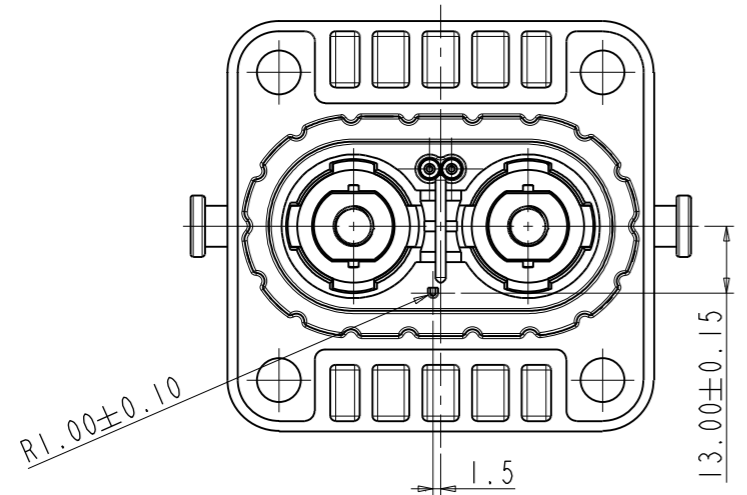
HVSL1400 02 2 X Y D8S6

0	WITHOUT HVIL
1	WITH HVIL

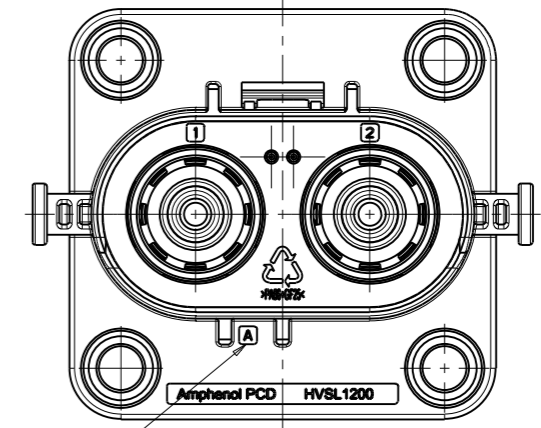
A	A Key
B	B Key
C	C Key

Inter Lock P/N:C420005523

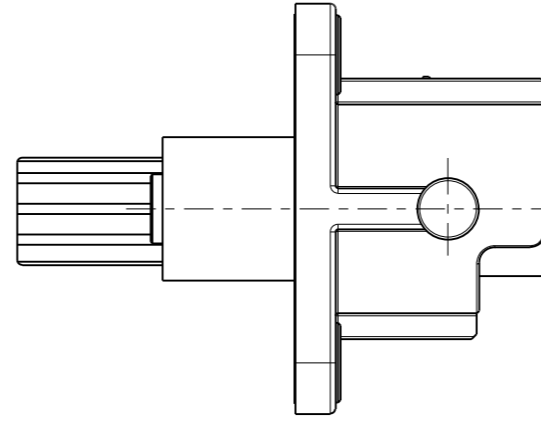
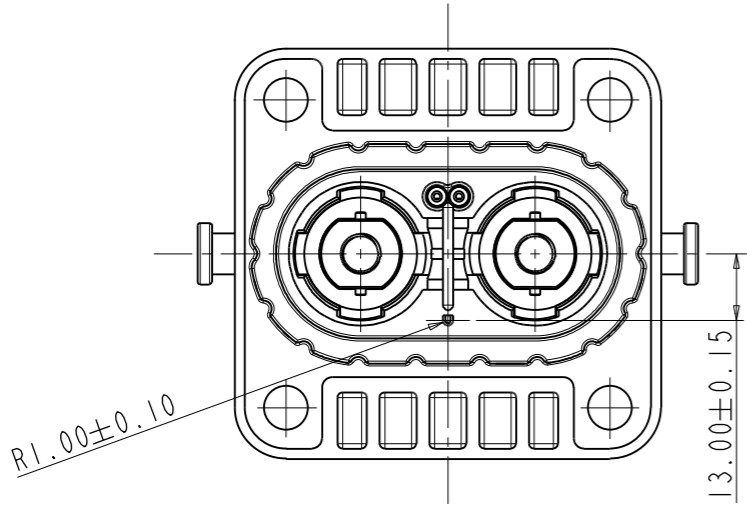
SIZE	DWG NO.	REV
A3	C-HVSL1400022XYD8S6	1
CODE: 58982	SCALE: 1:1	SHEET 2 OF 4



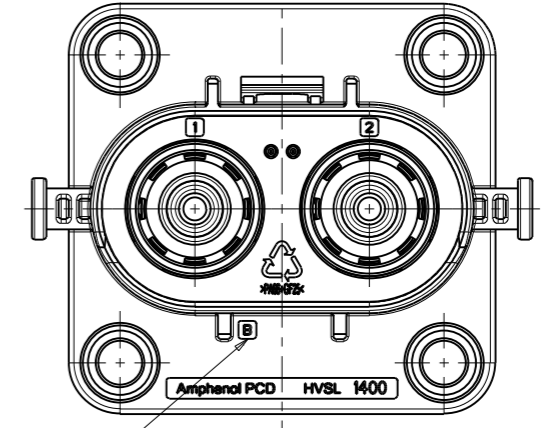
HVSL1400022AXD8S6



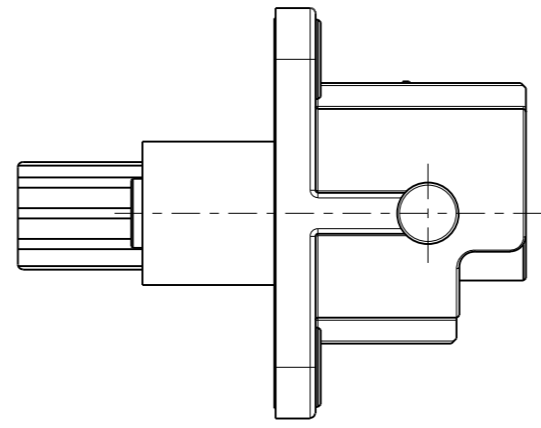
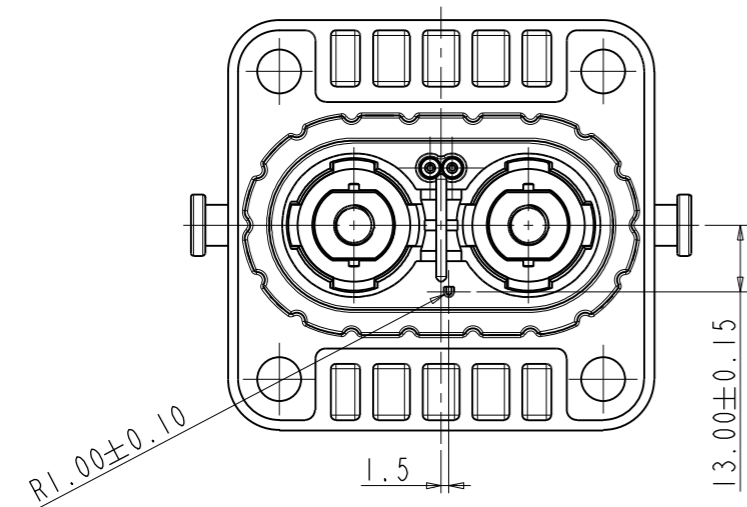
KEY A
FEATURE



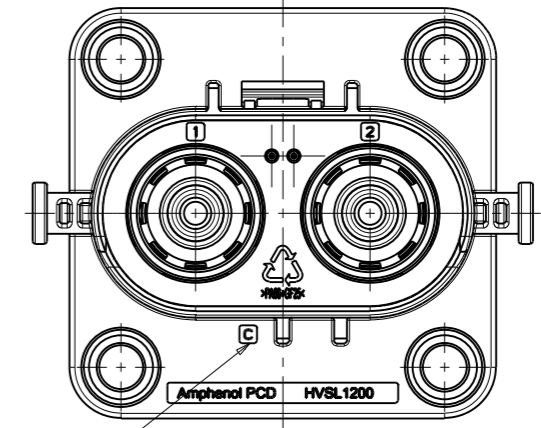
HVSL1400022BXD8S6



KEY B
FEATURE

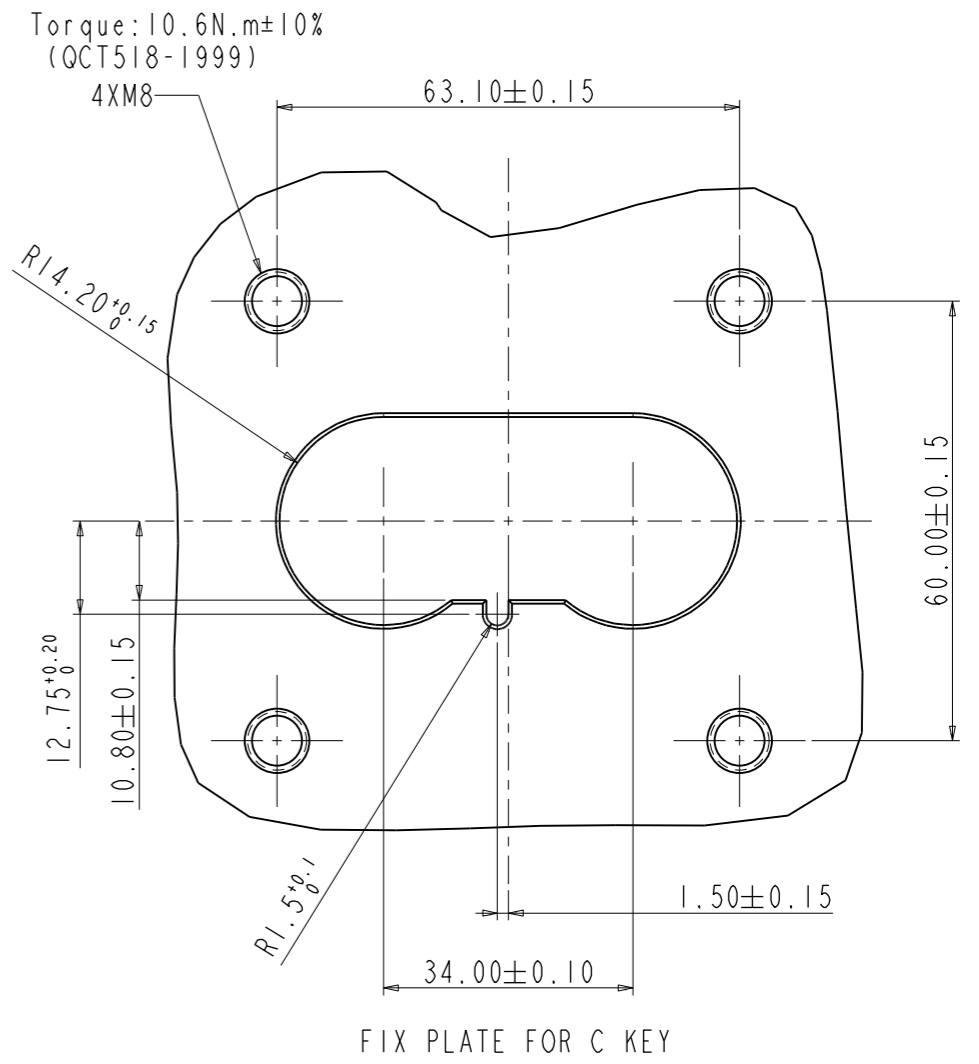
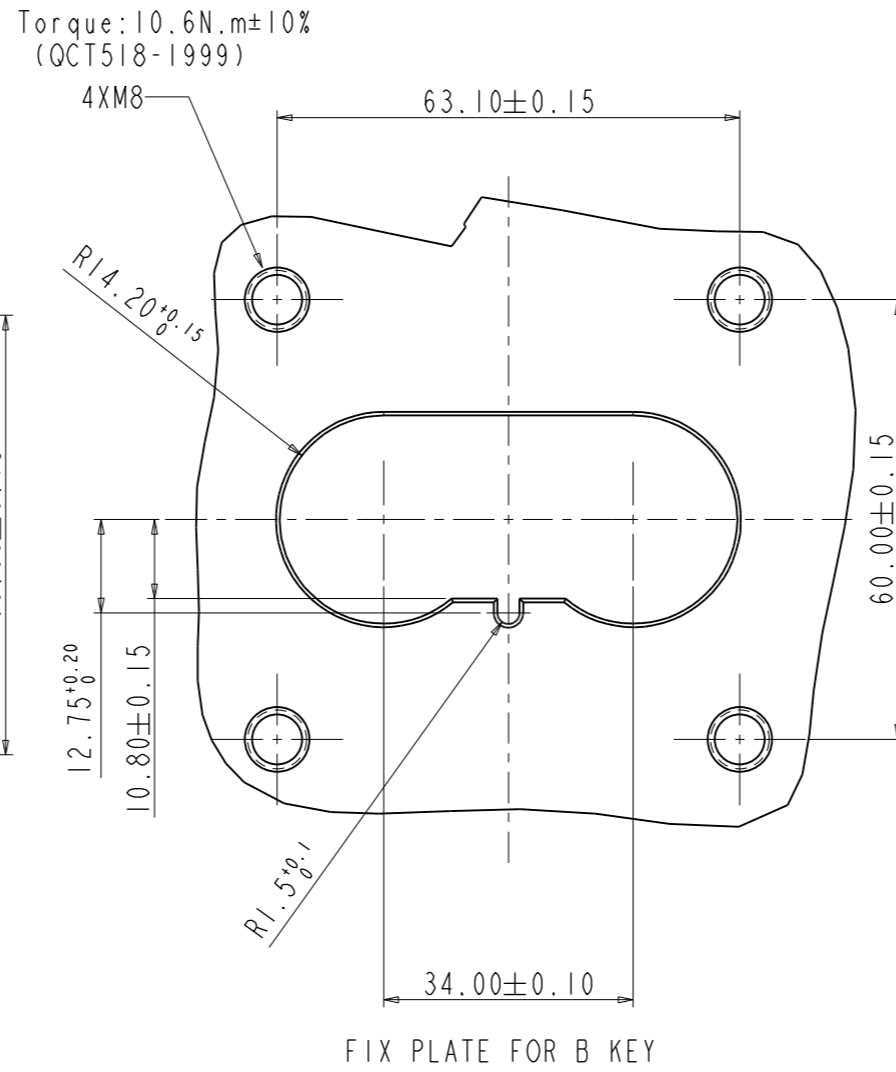
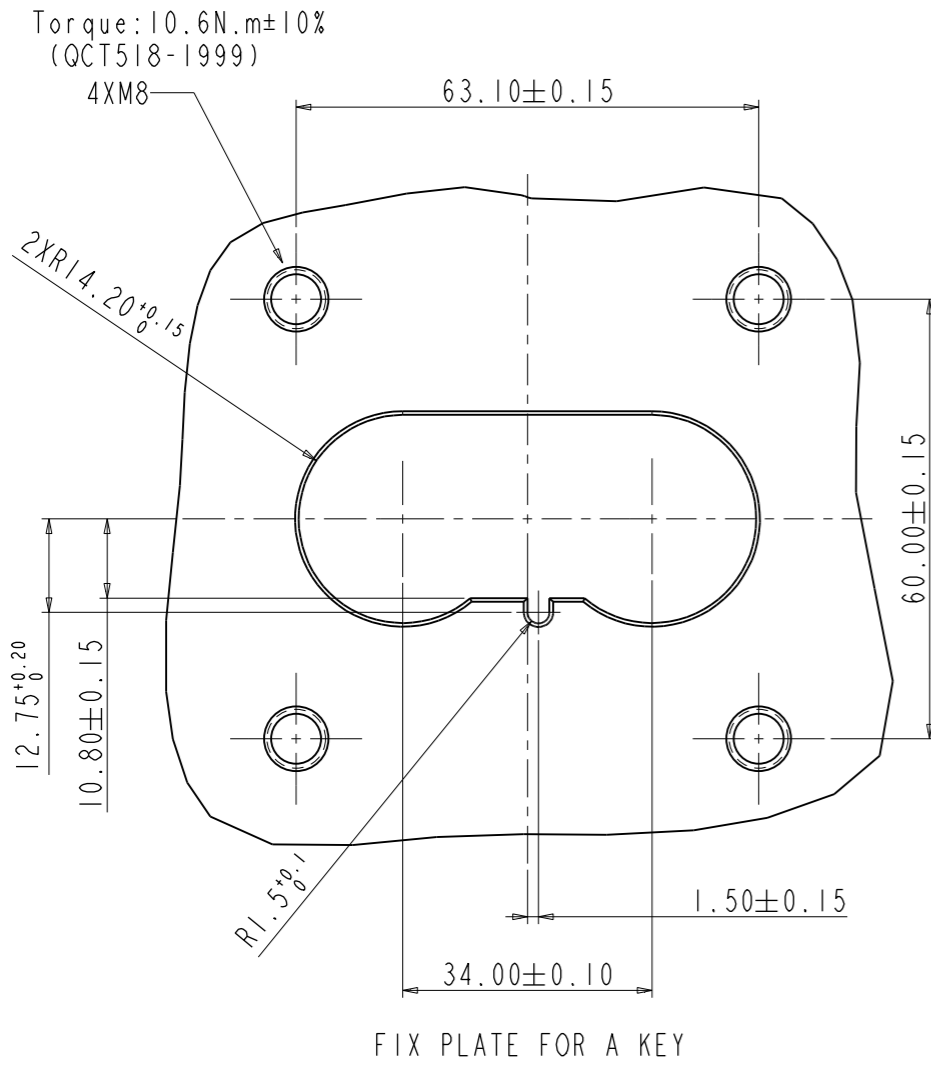


HVSL1400022CXD8S6



KEY C
FEATURE

SIZE	DWG NO.	REV
A3	C-HVSL1400022XYD8S6	1
CODE: 58982	SCALE: 7:10	SHEET 3 OF 4



SIZE	DWG NO.	REV
A3	C-HVSL1400022XYD8S6	1
CODE: 58982	SCALE: 1:1	SHEET 4 OF 4