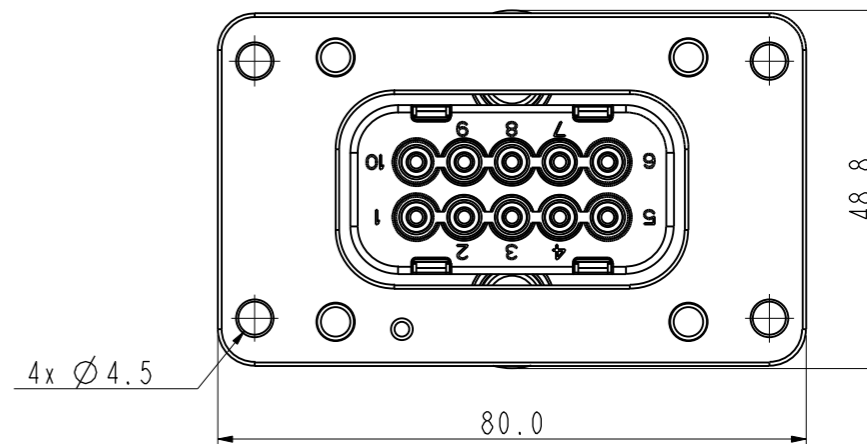
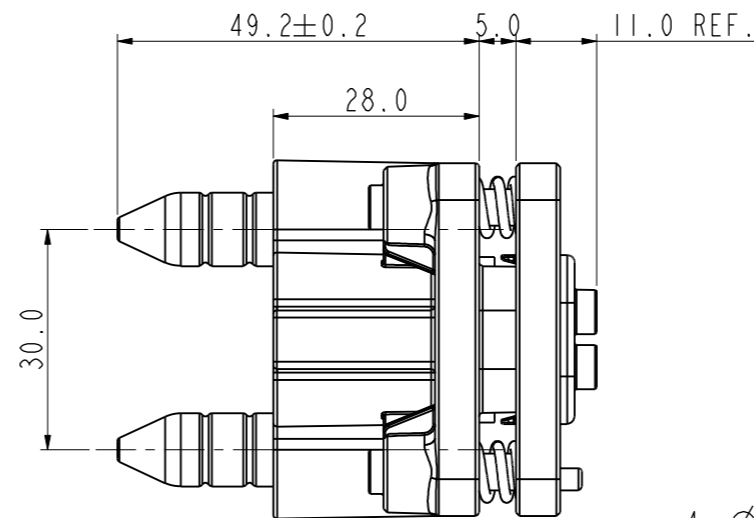
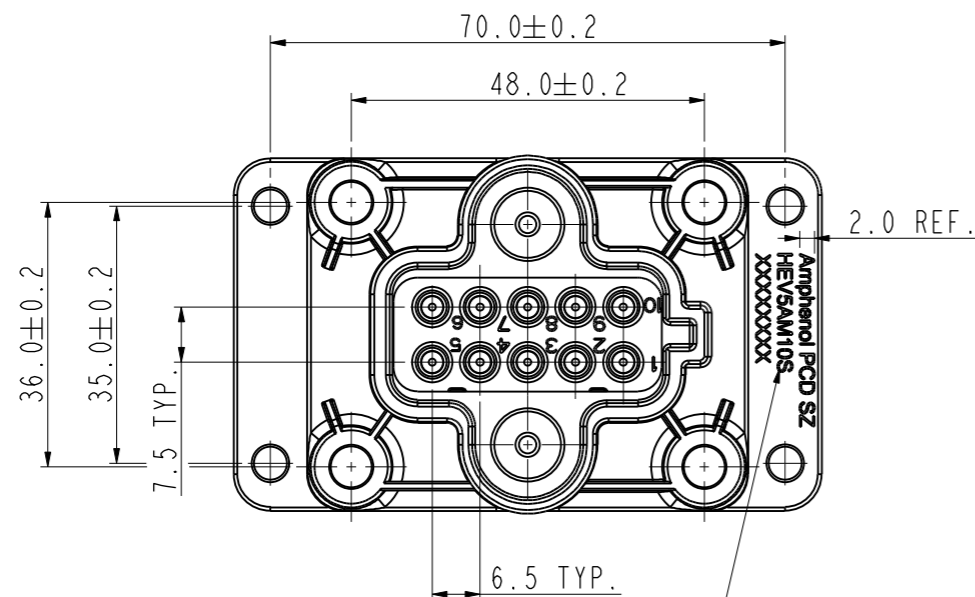
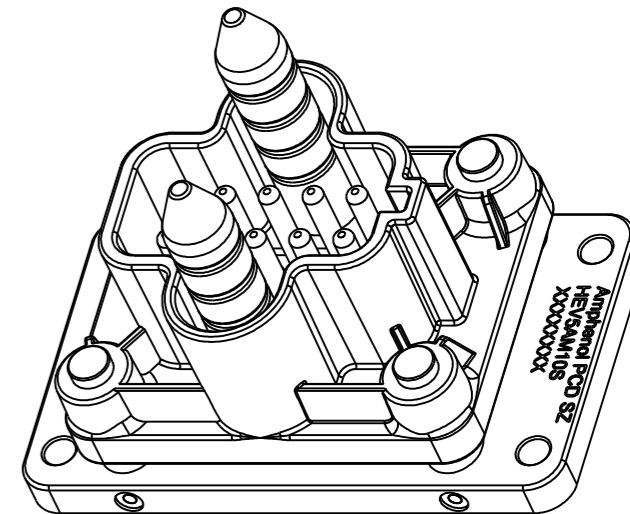
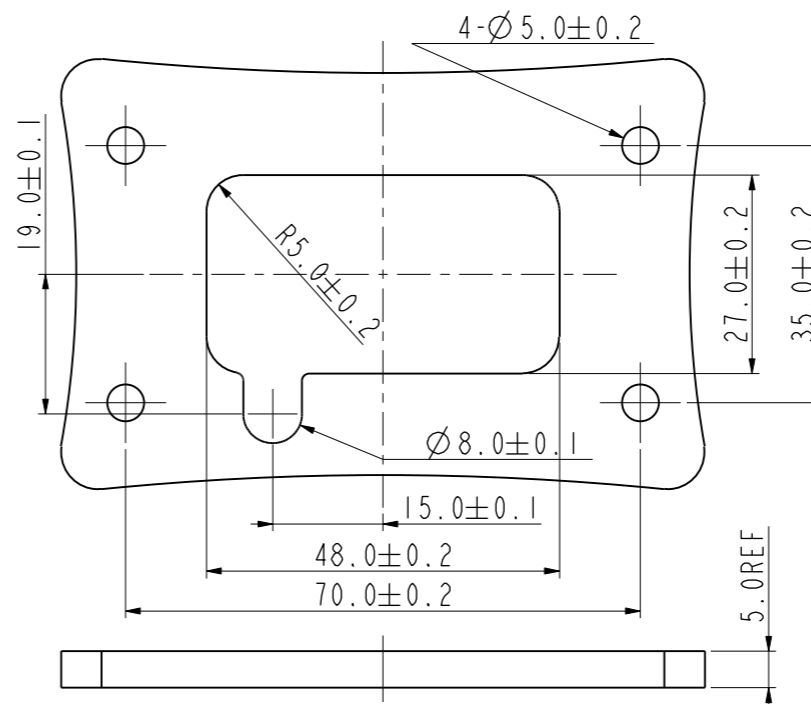


Amphenol PCDSZ  
ORIGINAL  
PDF Format  
R&D



LASER PRINT CONTENT:  
Amphenol PCD SZ: LOGO  
HEV5AM10S: PRODUCT TYPE  
XXXXXXXX: DATE



- NOTES:
1. INSERTION AND EXTRACTION FORCE: 130N.MAX.
  2. Contact Resistance:  $\leq 3m\Omega$
  3. TEMPERATURE RISE(CRIMPED 25MM<sup>2</sup> CABLE)  $\leq 55^{\circ}C$
  4. HUMIDITY: 40%~70% 23 $\pm 5^{\circ}C$
  5. SALT SPRAY: 48 Hours
  6. SEE BELOW TECHNICAL DATA TABLE FOR CRITICAL PARAMETER:

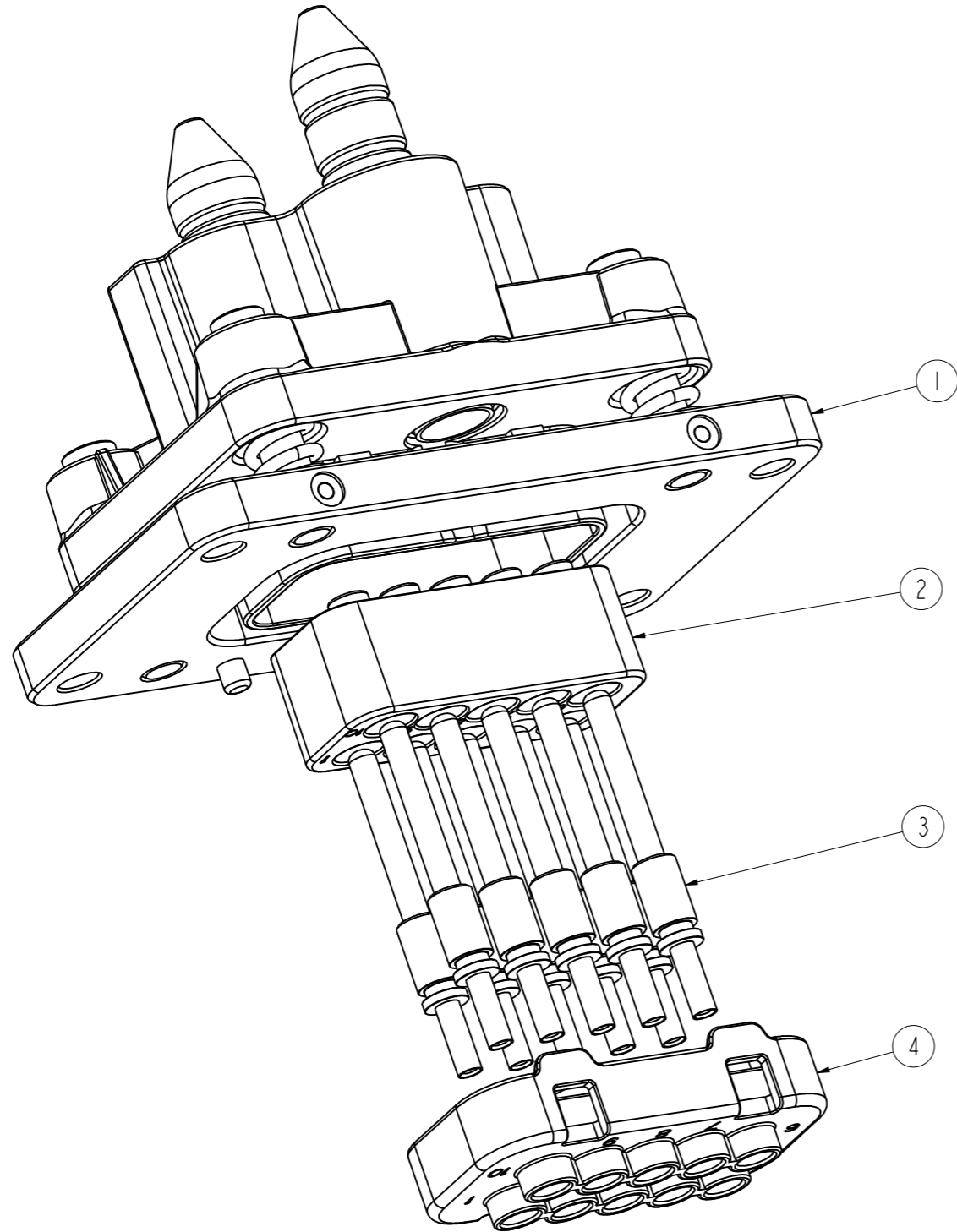
TECHNICAL DATA		FEATURE
RATED CURRENT (SIGNAL PIN)	2A	+
RATED VOLTAGE (SIGNAL PIN)	12~24V DC	+
AMBIENT TEMPERATURE	-30 $^{\circ}C$ ~+50 $^{\circ}C$	
DIELECTRIC WITHSTANDING VOLTAGE	1000V AC	+
INSULATION RESISTANCE	100M $\Omega$ .MIN.	+
MATING CYCLES	5000 CYCLES	⊙

MOUNTING INTERFACE SPECIFICATION

DIMENSIONS	TOLERANCES	PROJECTION	TITLE		
ANSI Y14.5M UNITS: MM Pro/E FILE	.X $\pm 0.5$ .XX $\pm 0.05$ ANGLES $\pm 1.0^{\circ}$		HEV PLUG, 10POS SIGNAL PIN		
ORIGINAL	THIS DOCUMENT CONTAINS PROPRIETARY INFORMATION WHICH IS THE CONFIDENTIAL PROPERTY OF AMPHENOL PCD SHENZHEN	ENGR			
		CHKD	SIZE A3	DWG NO. C-HEV5AM10S	REV 1
		APPD	CODE: 58982	SCALE:	SHEET 1 OF 2

C-HEV5AM10S

C-HEV5AM10S



比例 3:2

1	C220006523	PLUG COVER	4
10	C200006414	PIN CONTACT 0.75~1.5MM <sup>2</sup>	3
1	C220006522	PLUG HOUSING	2
1	N/A	HEV PLUG 5A, SUB-ASSEMBLY	1
QTY.	PART NUMBER	DESCRIPTION	ITEM

SIZE <b>A3</b>	DWG NO. <b>C-HEV5AM10S</b>	REV <b>1</b>
CODE: 58982	SCALE:	SHEET 2 OF 2