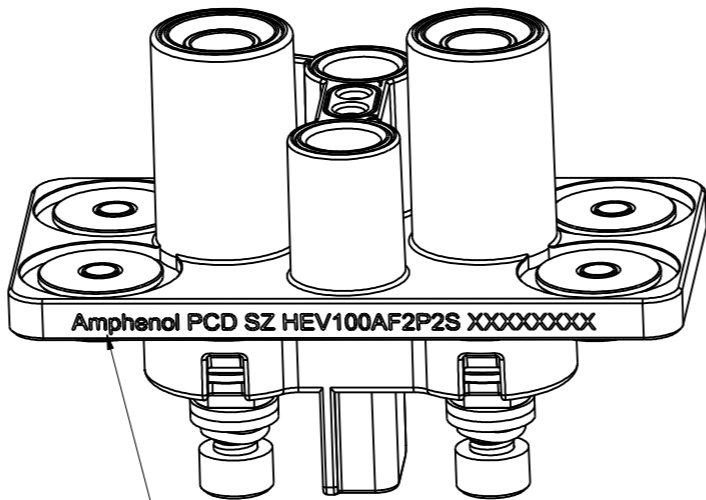
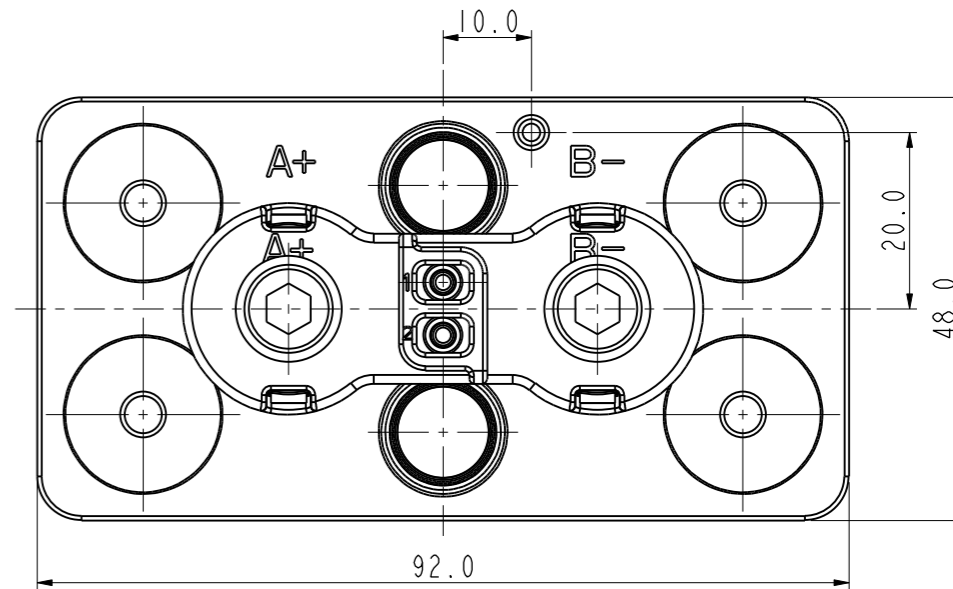
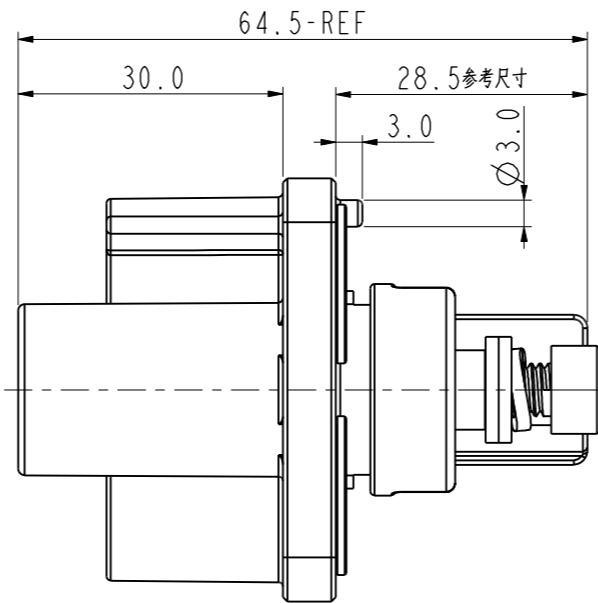
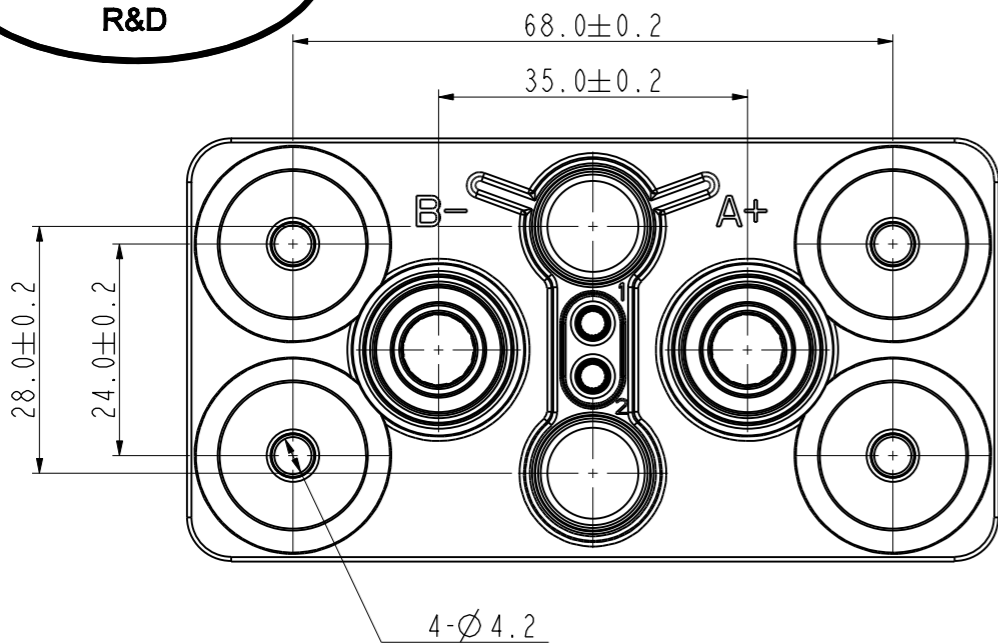
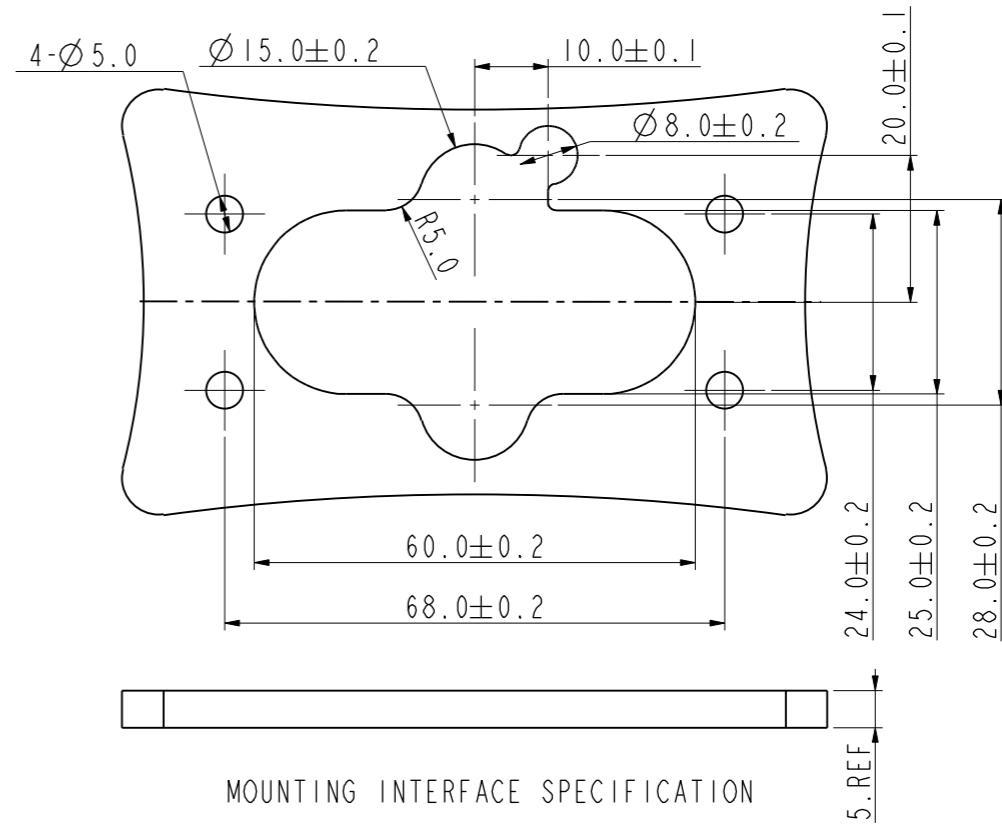


Amphenol PCDSZ  
ORIGINAL  
PDF Format  
R&D



LASER PRINT CONTENT:  
"Amphenol PCD SZ" LOGO  
HEV100AF2P2S: PRODUCT TYPE  
XXXXXXX: DATE



MOUNTING INTERFACE SPECIFICATION

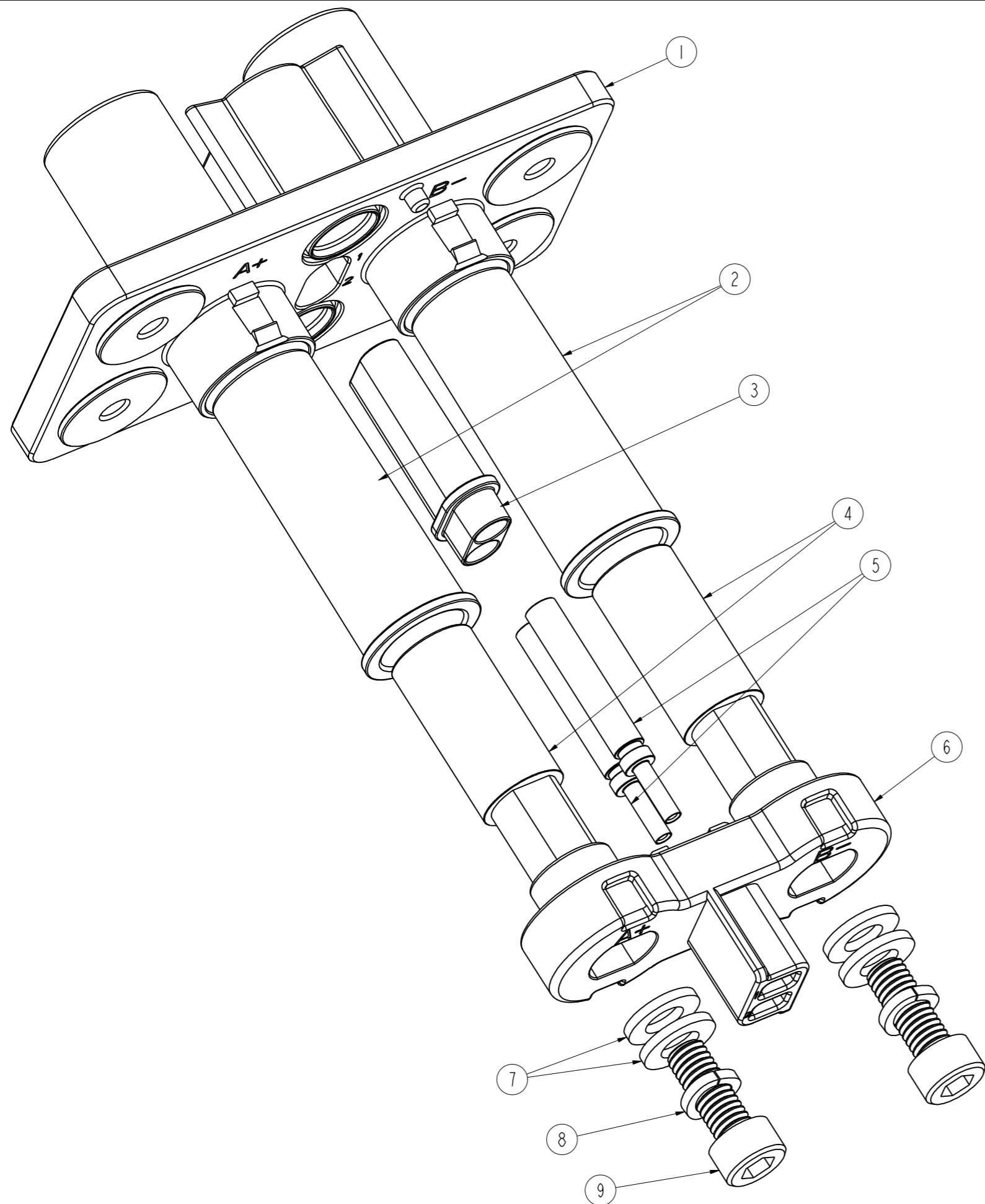
- NOTES:
1. INSERTION AND EXTRACTION FORCE: 130N.MAX.
  2. CONTACT RESISTANCE:  $\leq 0.5m\Omega$
  3. TEMPERATURE RISE(CRIMPED 25mm<sup>2</sup> CABLE)  $\leq 55^{\circ}C$
  4. HUMIDITY: 40%~70% 23 $\pm$ 5 $^{\circ}C$
  5. SALT SPRAY: 48 Hours
  6. IP2XB

TECHNICAL DATA		FEATURE
RATED CURRENT (SIGNAL PIN)	2A	
RATED CURRENT (POWER PIN)	100A.MAX.	+
RATED VOLTAGE (SIGNAL PIN)	12~24V DC	
RATED VOLTAGE (POWER PIN)	600V DC	+
AMBIENT TEMPERATURE	-30 $^{\circ}C$ ~+50 $^{\circ}C$	
DIELECTRIC WITHSTANDING VOLTAGE	3000V AC	+
INSULATION RESISTANCE	200M $\Omega$ .MIN.	+
MATING CYCLES	5000 CYCLES	⊙

DIMENSIONS	TOLERANCES	PROJECTION	TITLE		
ANSI Y14.5M	.X $\pm 0.5$		HEV RECEPTACLE, 2 POWER		
UNITS: MM	.XX $\pm 0.05$				
Pro/E FILE	ANGLES $\pm 0.5^{\circ}$		ENGR		
ORIGINAL	THIS DOCUMENT CONTAINS PROPRIETARY INFORMATION WHICH IS THE CONFIDENTIAL PROPERTY OF AMPHENOL PCD SHENZHEN	CHKD	SIZE	DWG NO.	REV
		APPD	A3	C-HEV100AF2P2S	1
			CODE: 58982	SCALE:	SHEET 1 OF 2

C-HEV100AF2P2S

C-HEV100AF2P2S



比例 3:2

2	C210006801	BSM OF NHA6-16	9
2	C210000003	SPRING WASHER(GB/T 93 6)PLATE	8
4	C210000002	FLAT WASHER (GB/T 97.1 6) SPCC	7
1	C220006531	BSM100A SOCKET COVER	6
2	C200006301	SOCKET CONTACT 0.75~1.5MM^2	5
2	C200006548	8MM POWER SOCKET PIN	4
1	C220006530	SOCKET HOUSING FOR SIGNAL PIN	3
2	C220006529	SOCKET PINS BUSHING	2
1	N/A	HEV SOCKET 100A, SUB-ASSEMBLY	1
QTY.	PART NUMBER	DESCRIPTION	ITEM

SIZE <b>A3</b>	DWG NO. <b>C-HEV100AF2P2S</b>	REV <b>1</b>
CODE: 58982	SCALE:	SHEET 2 OF 2