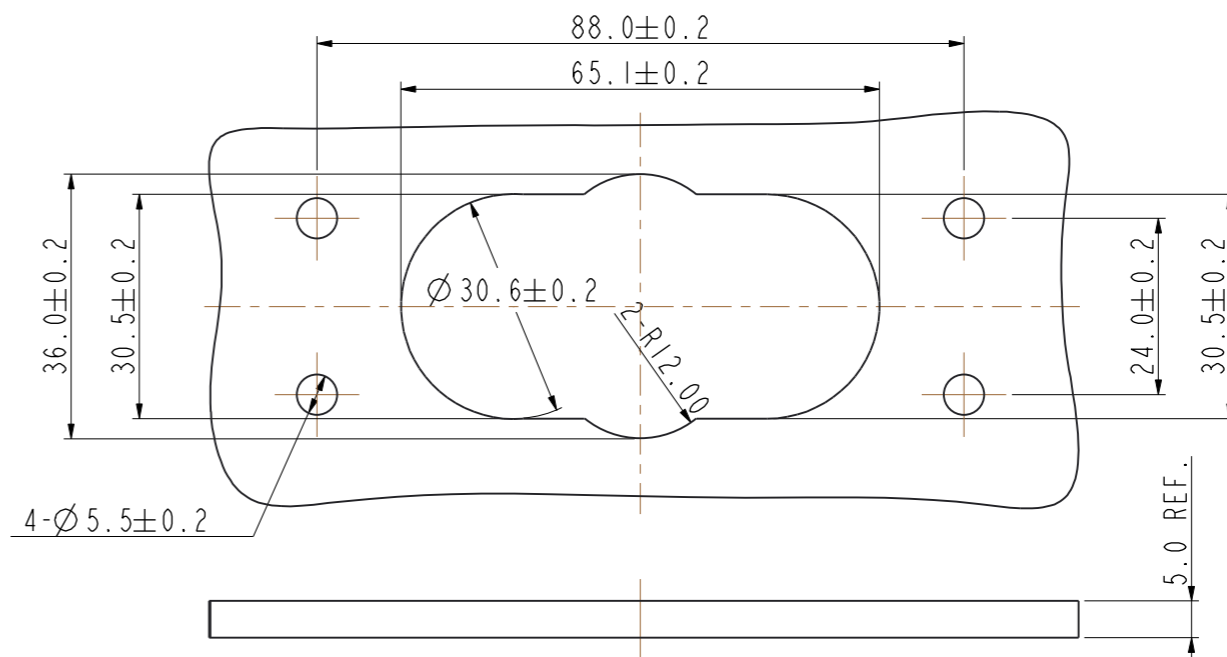
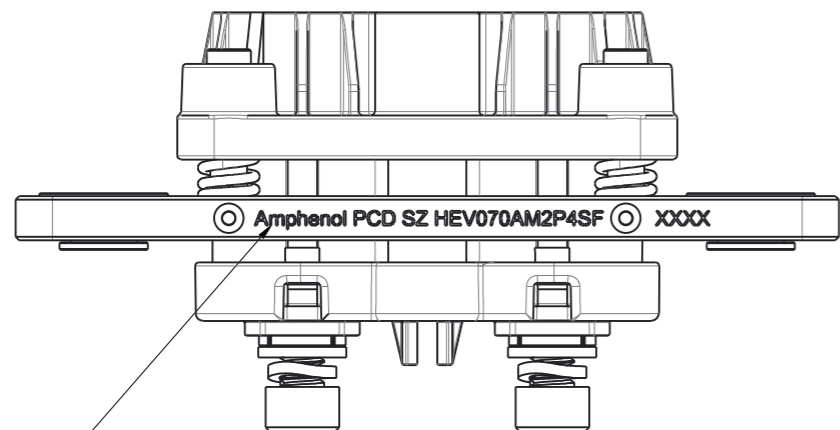
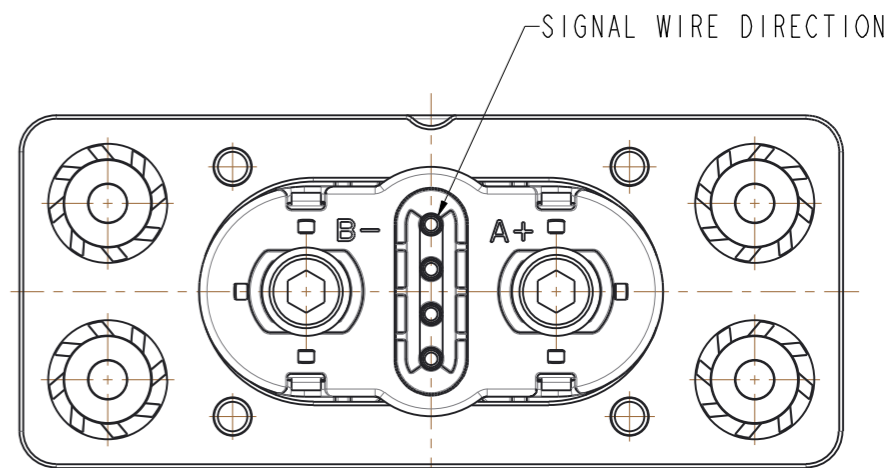
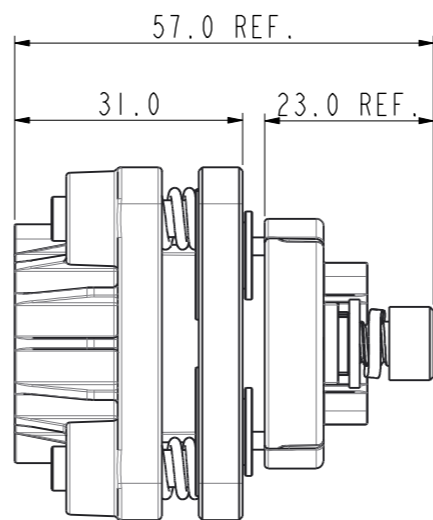
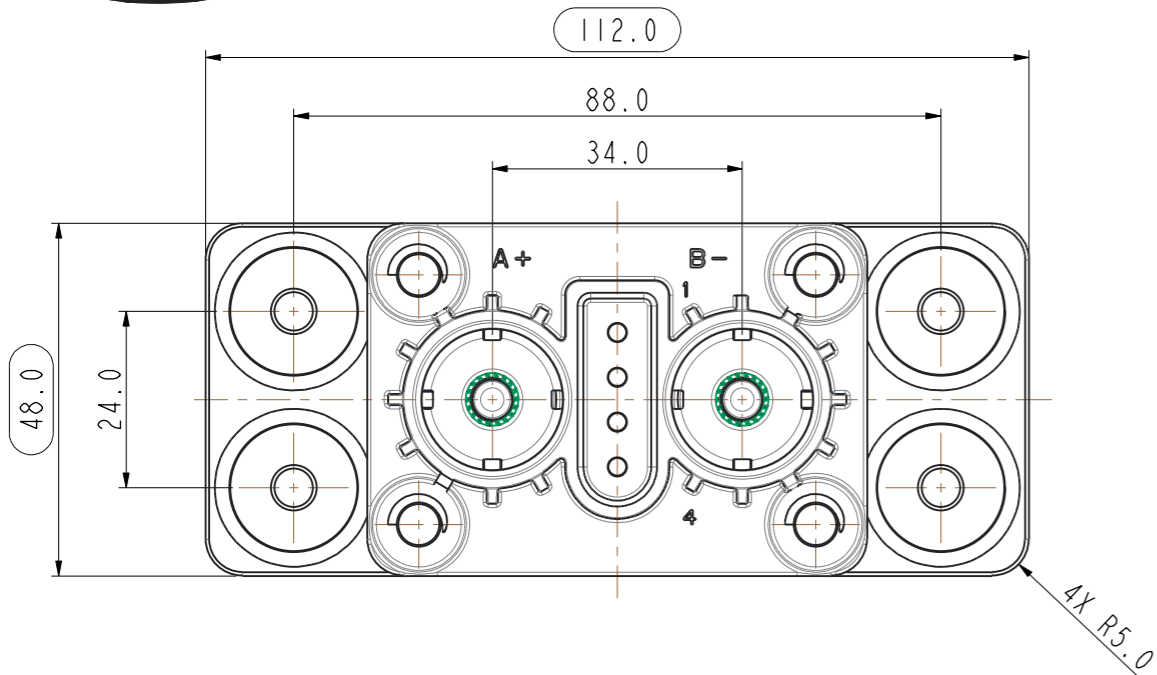


Amphenol PCDSZ
ORIGINAL
PDF Format
R&D



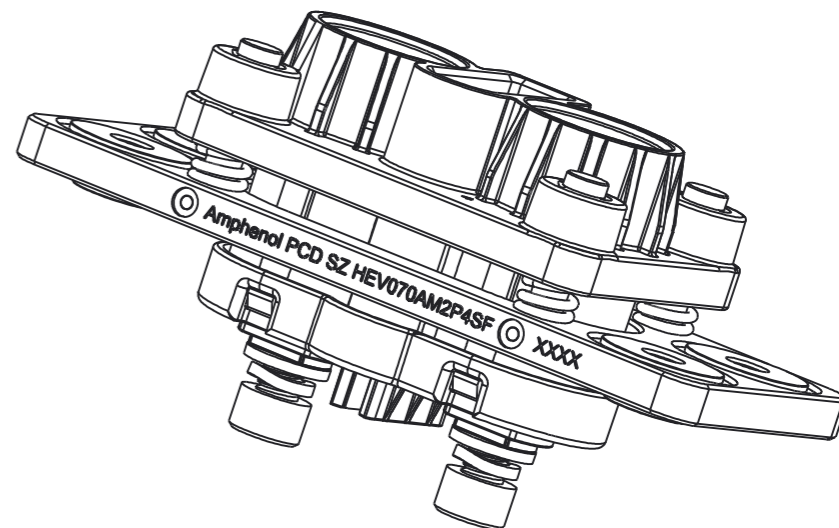
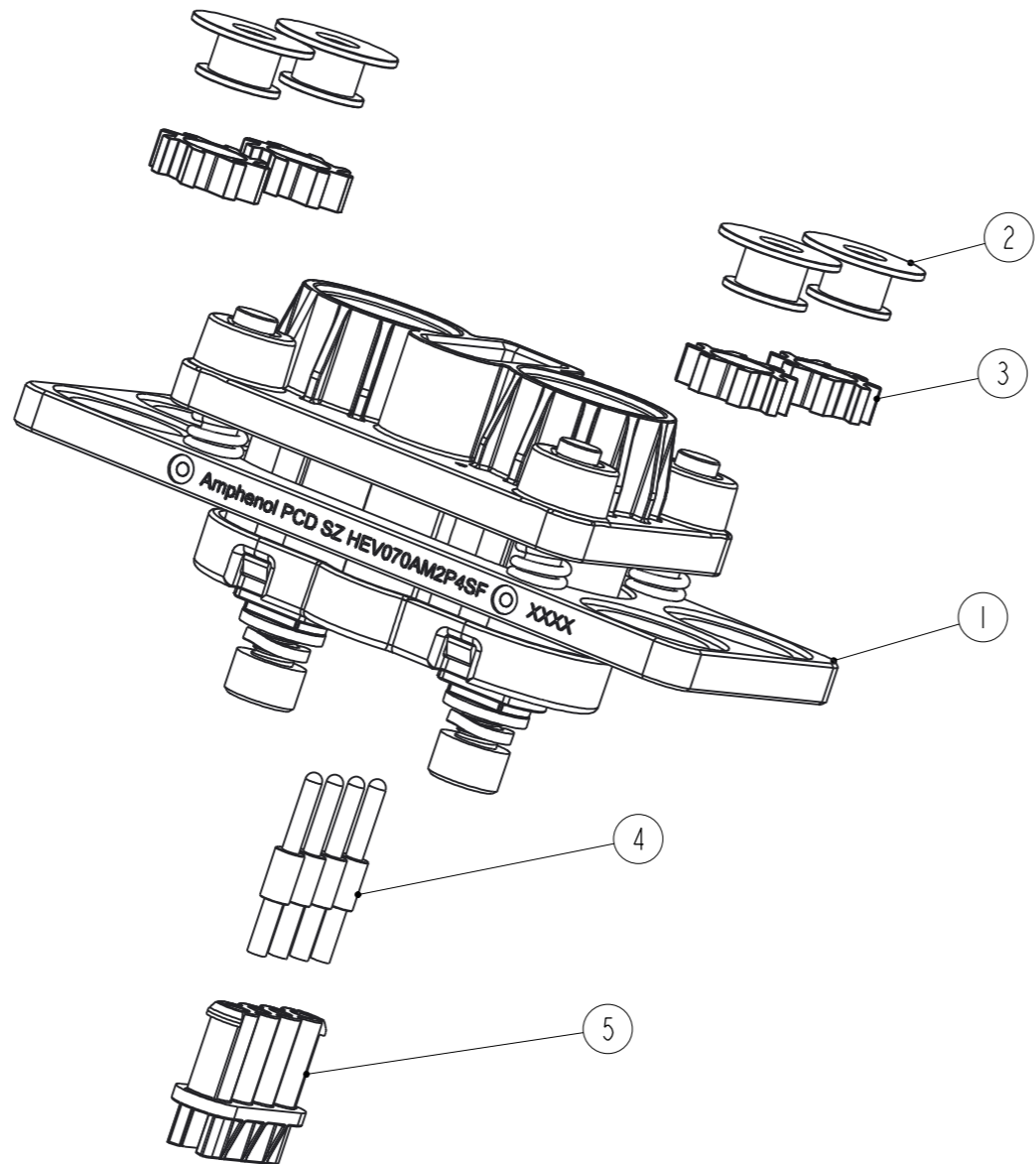
MOUNTING INTERFACE SPECIFICATION

LASER PRINT CONTENT:
Amphenol PCD : "LOGO"
HEV070AM2P4SF : PRODUCT P/N
XXXX : PRODUCTION YEAR/WEEK, e.g.:1819

DIMENSIONS	TOLERANCES	PROJECTION	TITLE			
ANSI Y14.5M UNITS: MM Pro/E FILE	.X ±0.5 .XX ±0.20 ANGLES ±0.5°		HEV PLUG CONNECTOR ASSY., 70A			
ORIGINAL	THIS DOCUMENT CONTAINS PROPRIETARY INFORMATION WHICH IS THE CONFIDENTIAL PROPERTY OF AMPHENOL PCD SHENZHEN					ENGR
			SIZE A3	DWG NO. C-HEV070AM2P4SF	REV A	CODE: 58982

HEV070AM2P4SF

HEV070AM2P4SF



HEV070AM2P4SF

HEV070AM2P4SF

NOTES:

1. Insertion and Extraction force:200N Max.
2. Withstand Voltage1000VAC,
Leakage current: 2mA@60S
3. Contact resistance:≤5mΩ
4. Temperature rise:≤50K
5. Salt spray:48H
6. Part 2, 3, 4, 5 are shipped in loose.
7. Product Weight: 171g
8. RoHS Compliant.

TECHNICAL DATA		FEATURE
RATED VOLTAGE(POWER PIN)	65V DC	★
RATED VOLTAGE(SIGNAL PIN)	12~24V DC	★
RATED CURRENT(POWER PIN)	70A Max.	★
RATED CURRENT(SIGNAL PIN)	13A Max.	★
AMBIENT TEMPERATURE	-40°C~+75°C	
DIELECTRIC WITHSTANDING VOLTAGE	1000V AC	★
INSULATION RESISTANCE	200MΩ .MIN.	★
LIFE CYCLES	3000 CYCLES	◎

★:Critical Feature

◎:Important Feature

QTY.	DESCRIPTION	Part Number	ITEM
1	SIGNAL PLUG COVER	C220006556	5
4	SIGNAL PIN CONTACT	C200006560	4
4	FIXED RUBBER	C270006516	3
4	FLOAT SLEEVE	C200006564	2
1	HEV PLUG SUB-ASSEMBLY	C220006562	1

SIZE A3	DWG NO. HEV070AM2P4SF	REV A
CODE: 58982	SCALE:	SHEET 2 OF 2