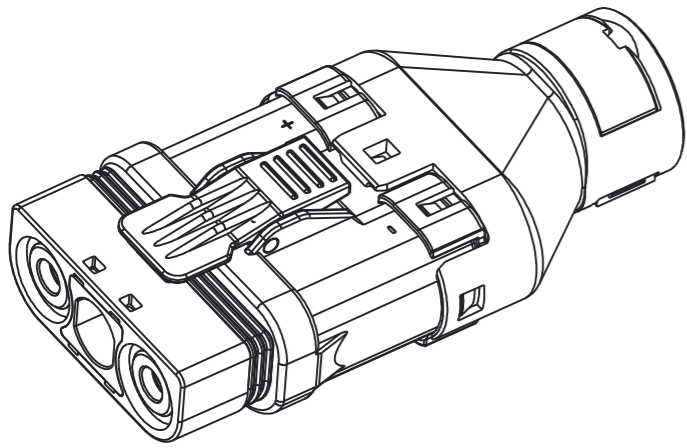
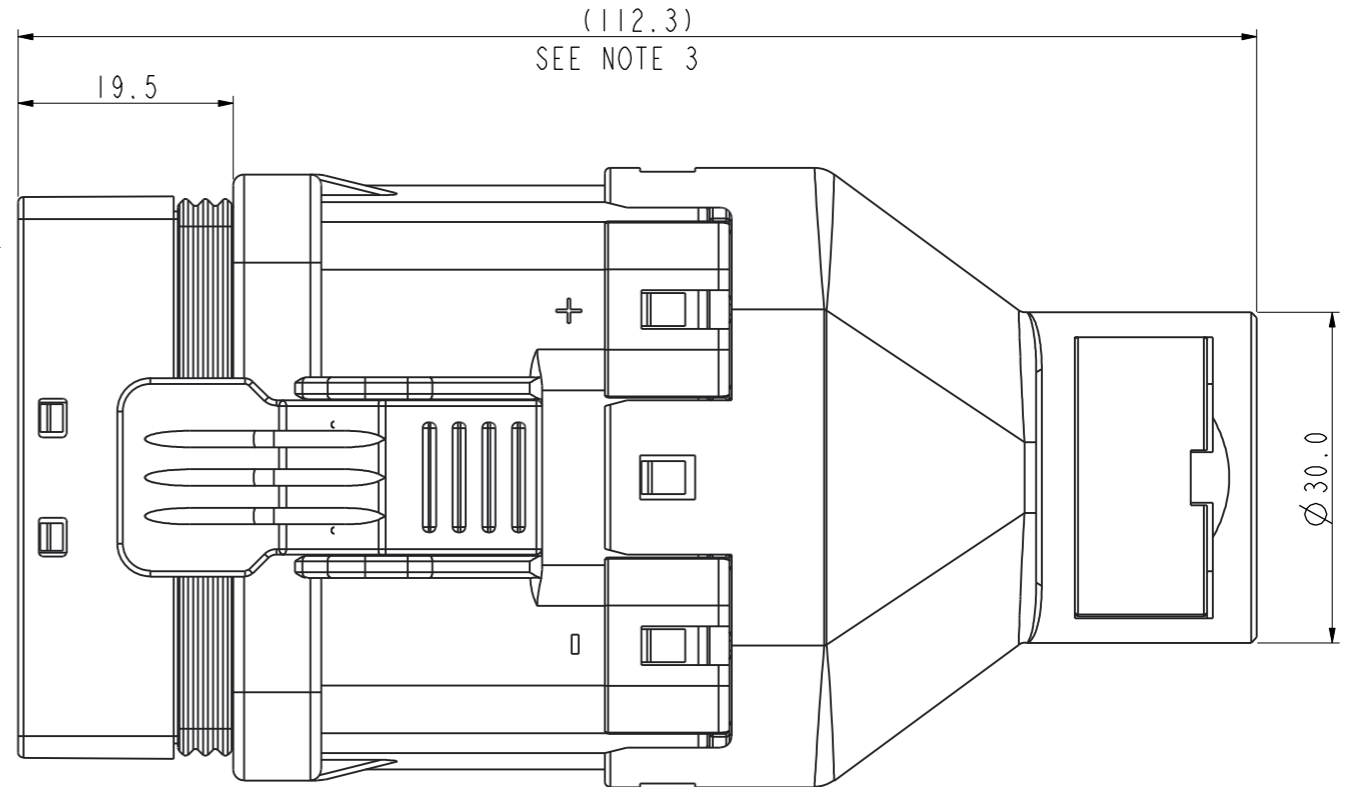
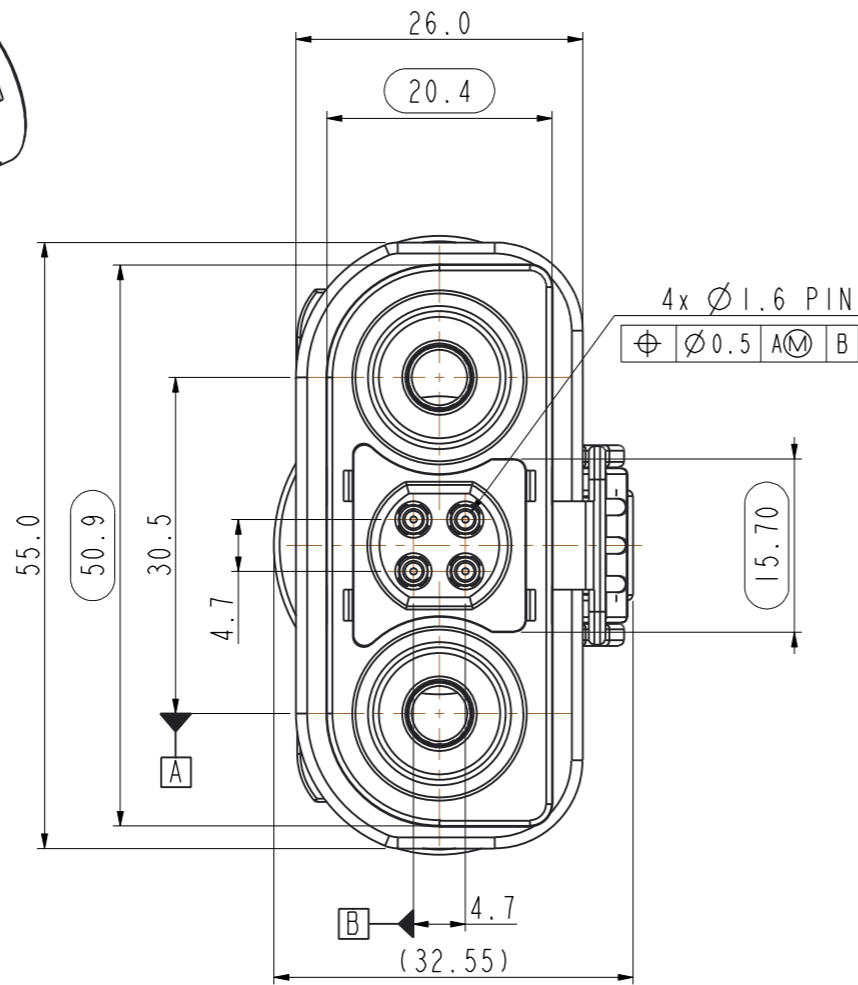


REV	ECN	DESCRIPTION	DATE	MODIFIED
A		FIRST-RELEASE	2018.11.16	T.H

Amphenol PCDSZ
ORIGINAL
PDF Format
R&D



比例 4:5



- NOTES:
1. THE SOCKET CONTACT IS 6MM RADSOK.
 2. THE SUITABLE CABLE FOR POWER PIN IS 16MM².
THE SUITABLE CABLE FOR SIGNAL PIN IS 0.75~1.0MM².
 3. THE CONNECTOR WEIGHT IS ABOUT 0.25Kg.

TECHNICAL DATA		FEATURE
RATED CURRENT (SIGNAL PIN)	5A.MAX.	★
RATED CURRENT (POWER PIN)	80A.MAX.	★
RATED VOLTAGE (SIGNAL PIN)	30V DC	★
RATED VOLTAGE (POWER PIN)	250V DC	★
AMBIENT TEMPERATURE	-30°C~+70°C	
DIELECTRIC WITHSTANDING VOLTAGE	1500V AC	★
INSULATION RESISTANCE	200MΩ .MIN.	★
IP GRADE(MATED CONDITION)	IP67	★
MATING CYCLES	5000 CYCLES	◎
ROHS REGULATION	MEET	★

★: CRITICAL FEATURE ◎: IMPORTANT FEATURE

RECOMMENDED CABLE AND BELLOWS SIZE				
CONTENT	WIRE JACKET O. D.	WIRE CONDUCTOR O.D.	I. D.	O. D.
16 MM ² CABLE	Ø7.0~Ø8.5	Ø5.7±0.1		
SIGNAL WIRE	Ø2.2~Ø2.7	Ø1.3~Ø1.6		
BELLOWS			Ø17.0 ^{+0.4} ₀	Ø21.2±0.5

DIMENSIONS ANSI Y14.5M UNITS: MM Pro/E FILE	TOLERANCES .X ±0.5 .XX ±0.05 ANGLES ±0.5°	PROJECTION 	TITLE Amphenol Pcd Shenzhen HEV PLUG			
			ENGR TOMMY.H 2018.11.16	SIZE A3	DWG NO. C-HEV080AM2P4SF	REV A
ORIGINAL	THIS DOCUMENT CONTAINS PROPRIETARY INFORMATION WHICH IS THE CONFIDENTIAL PROPERTY OF AMPHENOL PCD SHENZHEN		APPD <i>Derek Jank</i>	CODE: 58982	SCALE:	SHEET 1 OF 1

C-HEV080AM2P4SF

C-HEV080AM2P4SF