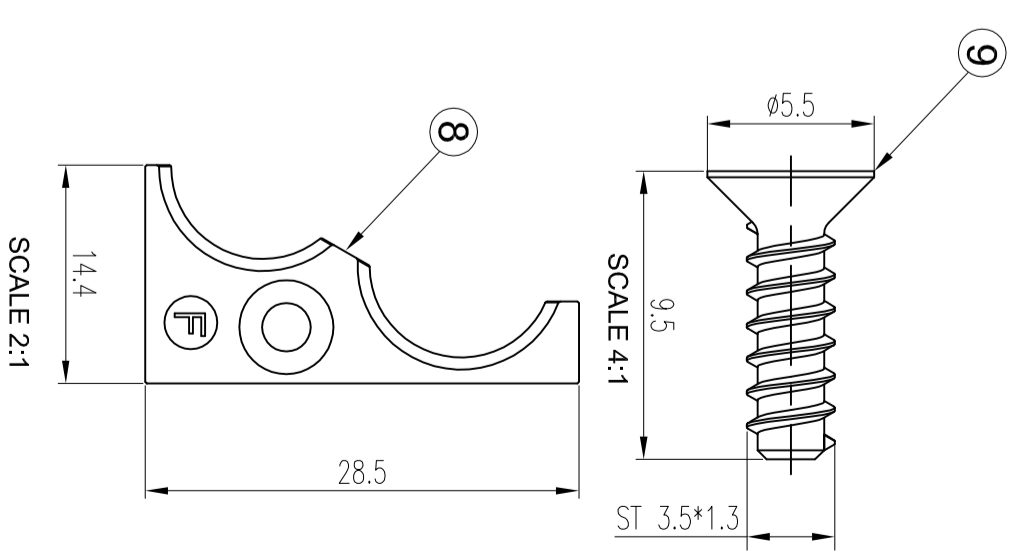
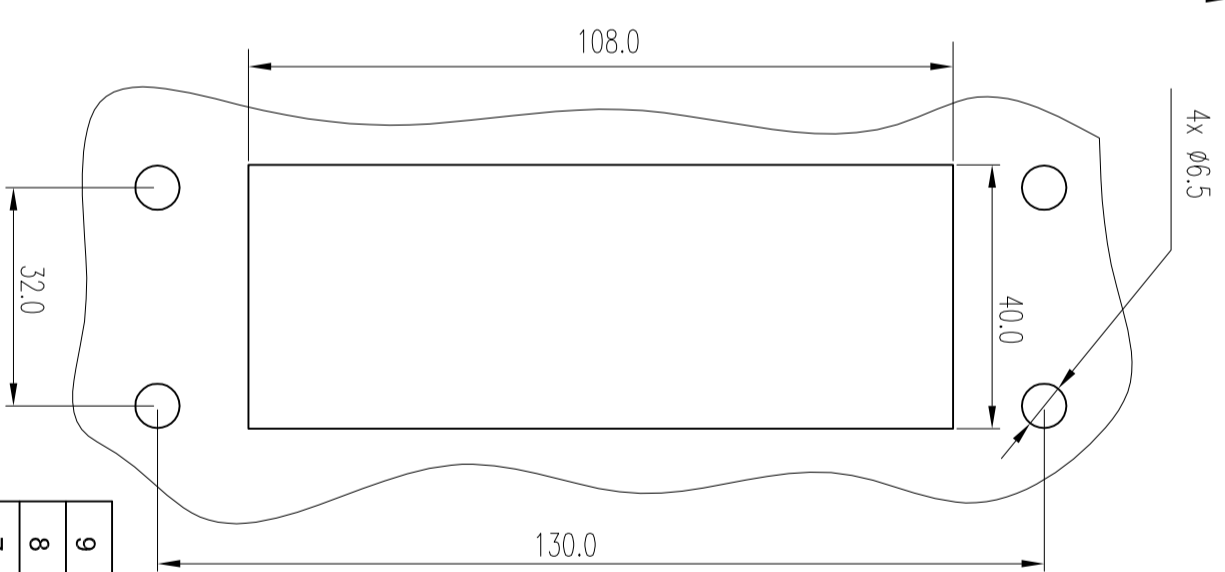
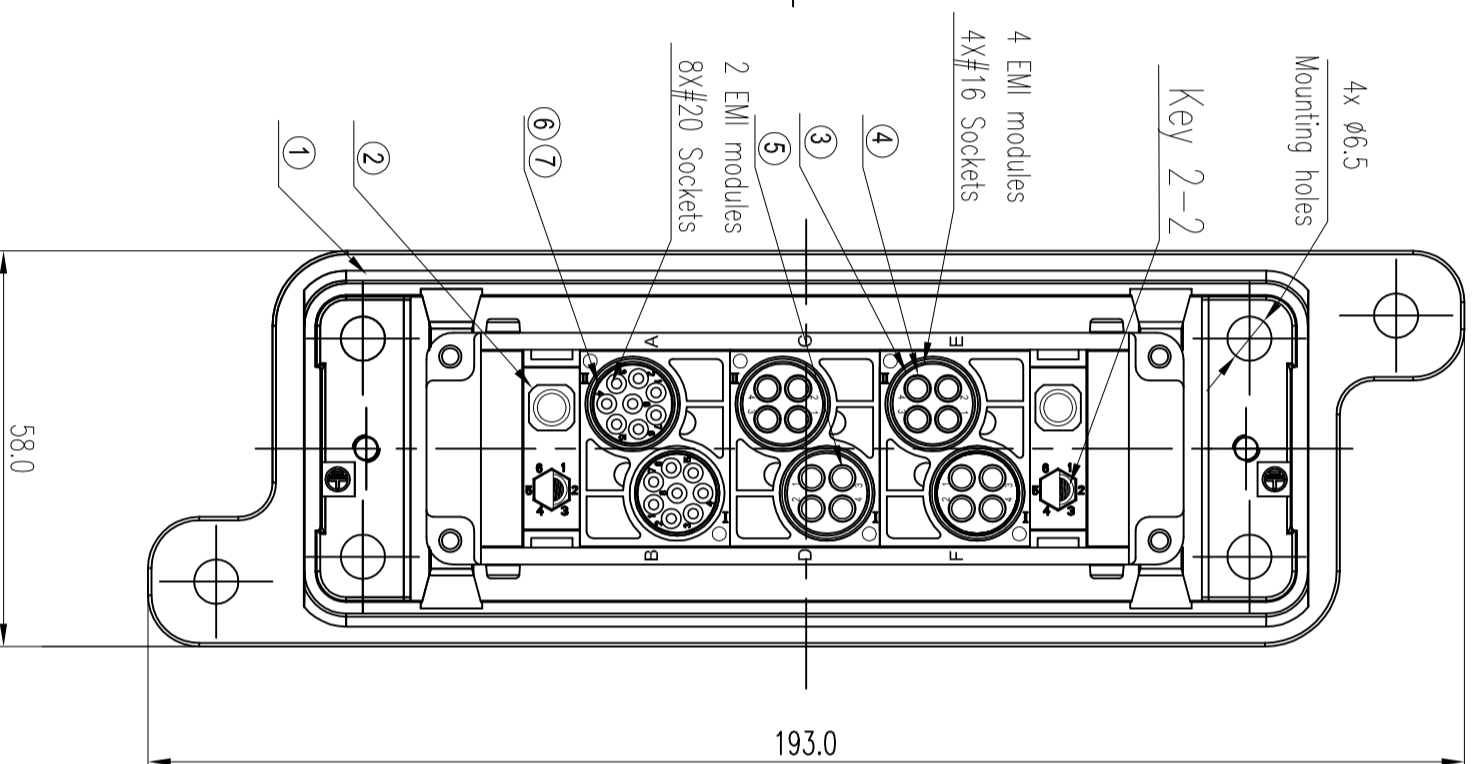
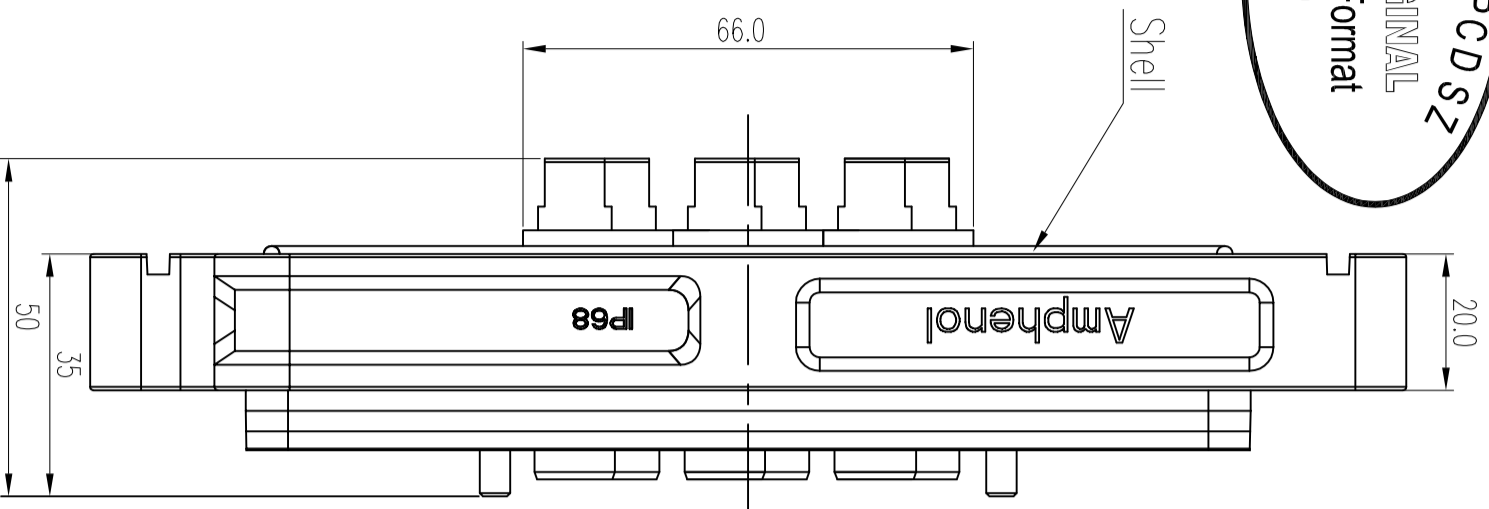


Amphenol PCD SZ
ORIGINAL
PDF Format
R&D



***Notes:**
Material \ Finish
Shells : Aluminum alloy/ Black epoxy powder paint
Insulator : Thermoplastics UL94-V0
EMI shell : Aluminum alloy/ Nickel plated

Mechanical data
Operating Temperature: -40°C ~ +125°C
IP-Class: IP67
Durability: 500 cycles
Tighten torque: 0.6~0.7Nm for ST 3.5

Electrical data:
Rated Voltage : 4Poles 125V r.m.s; 8Poles 50V r.m.s
Rated Current : 4Poles13A Max;8Poles7.5A Max
Insulation Resistance: 2000 MΩ Min

DIMENSIONS	ANSI Y14.5M	TOLERANCES	X	± 0.5	PROJECTION	
	UNITS: MM		.XX	±0.02		
CAD FILE		ANGLES	±0.5°			
ORIGINAL NOT FOR CUSTOMER DISTRIBUTION	THIS DOCUMENT CONTAINS PROPRIETARY INFORMATION WHICH IS THE CONFIDENTIAL PROPERTY OF AMPHENOL PCD SHENZHEN					

Amphenol Pcd Shenzhen
ENGR
CHKD
APPD

ITEM	P/N	DESCRIPTION	QTY
9	C210015001	SCREW 3.5X1.3	6
8	C200017002	COMPRESSION FEMALE F	6
7	C20000409901	#20 SOCKET CONTACT(0.12~0.3MM*2)	16
6	C522002131	8 HOLES INSERT ASSY	2
5	ASRC16SC001AU	#16 SOCKET CONTACT(0.75~1.5MM*2)	4
4	ASRC16SC002AU	#16 SOCKET CONTACT(0.3~0.6MM*2)	12
3	C420002105	4 HOLES INSERT ASSY	4
2	ASRC24F6PMSN22N	RECEPTACLE MODULE	1
1	C42000072310-X	RECEPTACLE SHELL ASSY	1

ASRC SERIES RECEPTACLE

SIZE	DWG NO.	SCALE	SHEET	REV
A3	ASRC24B370FHF2ZG	0.9:1	1 OF 1	1