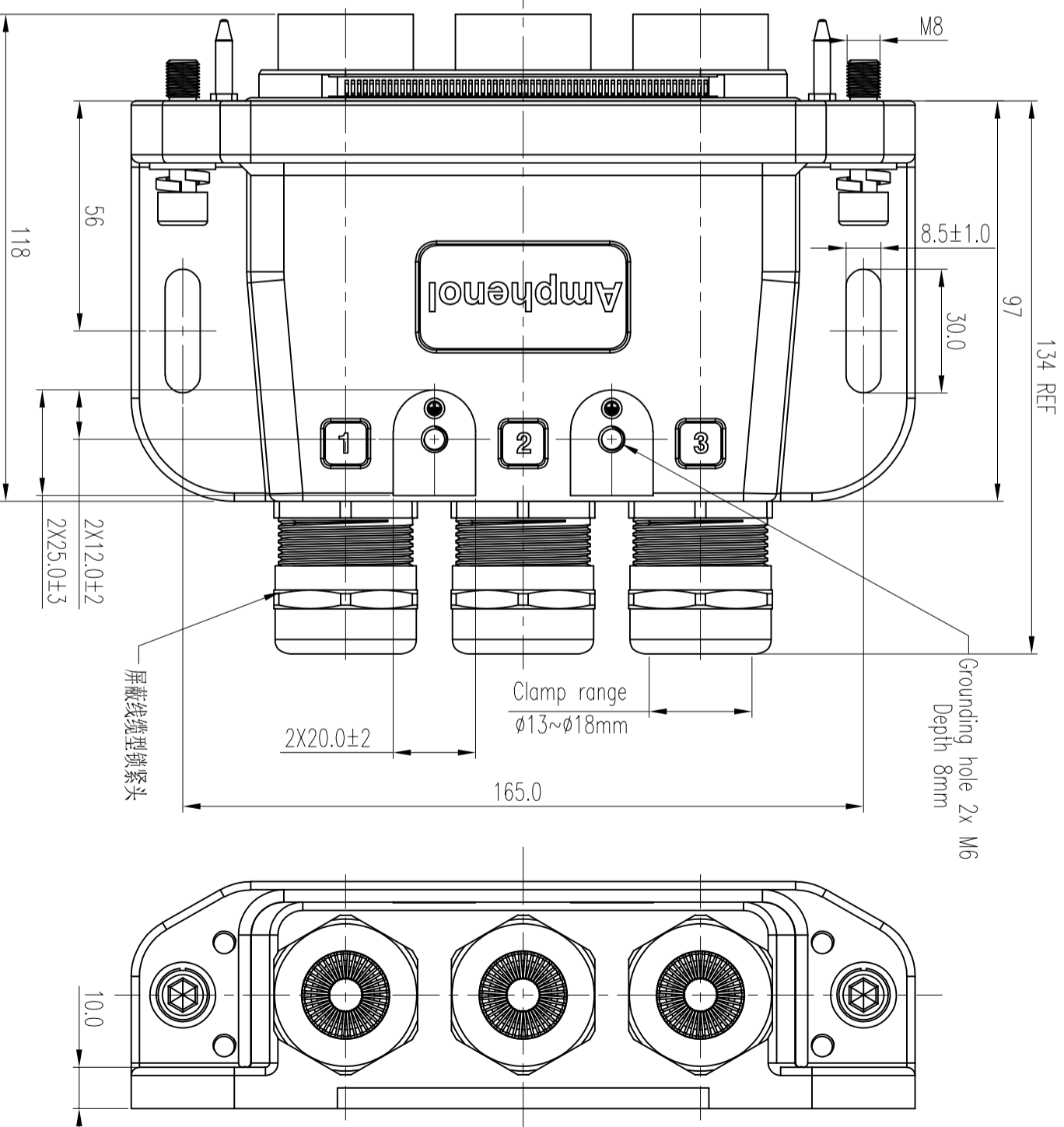
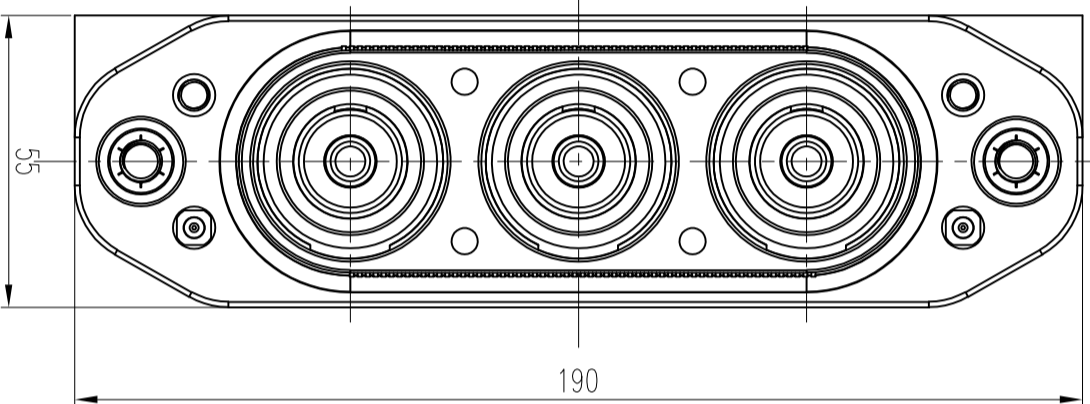


**\*\*Notes/注意:**

Material \ Finish/材料/处理  
 Shell : Aluminum alloy, black powder paint(RAL 7021)  
 外壳: 铝合金/表面喷黑粉 (外壳颜色色卡号: RAL7021)  
 Insert :Thermoplastics  
 胶芯:热塑性材料  
 Contact : Copper alloy / Silver plated / Crimp type /50mm<sup>2</sup>  
 插针: 铜合金/镀银/压接式/50mm<sup>2</sup>

**Mechanical data机械参数:**

Operating Temperature: -55°C ~ +125°C  
 使用温度: -55°C ~ +125°C  
 IP-Class: IP67  
 IP防护等级: IP67  
 Durability: 500 cycles  
 机械寿命: 500 循环  
 Electrical data电气参数:  
 Rated Voltage : 3000V r.m.s  
 额定电压: 3000V r.m.s  
 Withstanding voltage:9000V r.m.s  
 耐压::9000V r.m.s  
 Rated current : 250A Max Max  
 额定电流: 最大额定电流250A  
 Insulation Resistance: 5000 MΩ Min  
 绝缘阻抗: 大于5000 MΩ  
 Contact Resistance: Less than 0.3Ω  
 接触电阻: 小于0.3 mΩ



DIMENSIONS	TOLERANCES	PROJECTION	TITLE	
ANSI Y14.5M UNITS: MM CAD FILE	X XX ANGLES ± 0.8 ±0.50 ±0.5°		Amphenol Pcd Shenzhen	
ORIGINAL NOT FOR CUSTOMER DISTRIBUTION	THIS DOCUMENT CONTAINS PROPRIETARY INFORMATION WHICH IS THE CONFIDENTIAL PROPERTY OF AMPHENOL PCD SHENZHEN		CHKD APPD	SIZE A3
			ENG APPD	DWG NO. EMP-M33-R10-D50-GF2
			SCALE 0.7:1	REV 2
			SHEET 1 OF 1	

电机连接器插头 50mm<sup>2</sup>