

**\*\*Notes:**

Material \ Finish :

Shell : Aluminum alloy, black powder paint;

Insert :Composite EN45545;

Contact : Copper alloy / Silver plated

/ Crimp type/4x70mm<sup>2</sup>;

Gland:Copper alloy / Nickel plated/No Shield;

**Mechanical data:**

Operating Temperature: -55°C ~ +125°C;

IP-Class: IP67;

Durability: 500 cycles;

Connector Weight: 2.7Kg;

**Electrical data:**

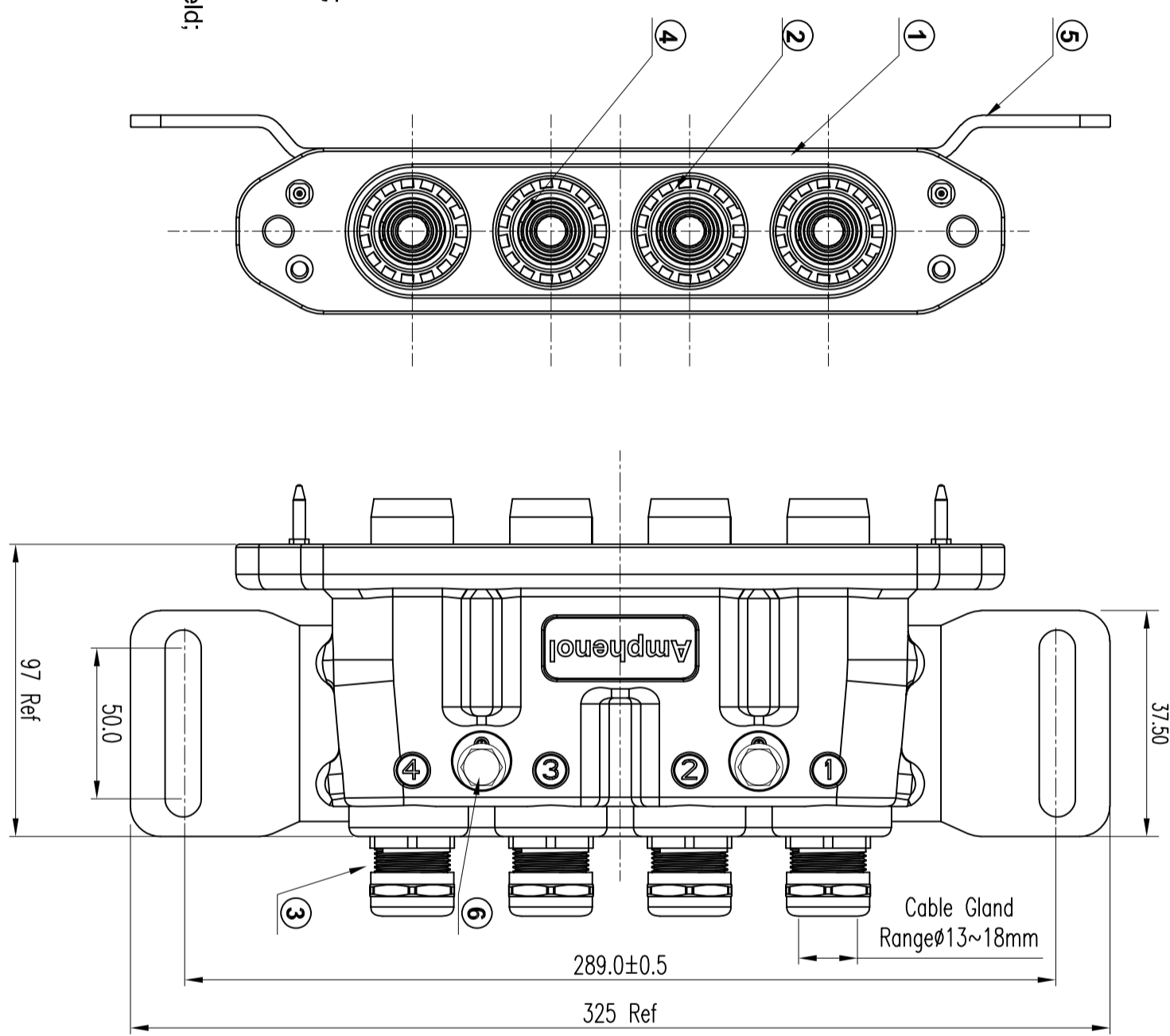
Rated Voltage : 3000V r.m.s;

Withstanding voltage:8000V r.m.s;

Rated current : 250A Max ;

Insulation Resistance: 5000 MΩ Min;

Contact Resistance: Less than 0.3Ω ;



ITEM	DESCRIPTION	QYT
6	SCREW	2
5	BRACKET	1
4	SOCKET CONTACT	4
3	CABLE GLANDS	4
2	PLUG INSULATION	4
1	PLUG SHELL	1

TITLE

**EMP4-4 RECEPTACLE CONNECTOR  
FOR 70mm<sup>2</sup> CABLE**

DIMENSIONS	TOLERANCES	PROJECTION
ANSI Y14.5M UNITS: MM CAD FILE	X ± 0.8 .XX ±0.5 ANGLES ±0.5°	
ORIGINAL NOT FOR CUSTOMER DISTRIBUTION	THIS DOCUMENT CONTAINS PROPRIETARY INFORMATION WHICH IS THE CONFIDENTIAL PROPERTY OF AMPHENOL PCD SHENZHEN	
	CHKD	Amphenol Pcd Shenzhen
	ENGR	
	APPD	

SIZE	DWG NO.	REV
A3	EMP-SF-4C-R10-D70-ET	1

CODE: SCALE 1:2 SHEET 1 OF 1