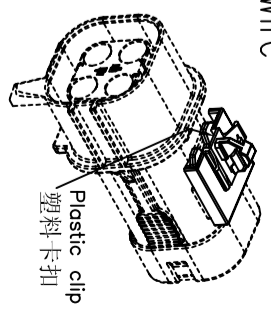
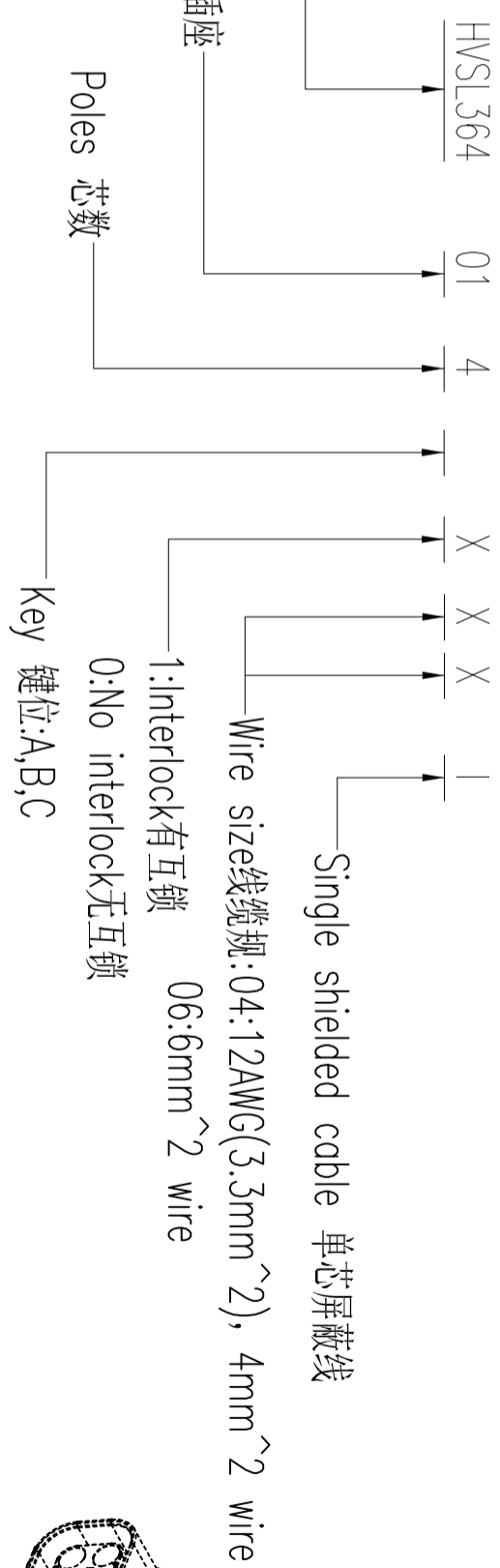


安费诺精密连接器(深圳)有限公司
Amphenol PCD Shenzhen
受控文件
2019年5月14日

C-HVSL364014XXXXI

PART NUMBERING SCHEME 产品命名规则

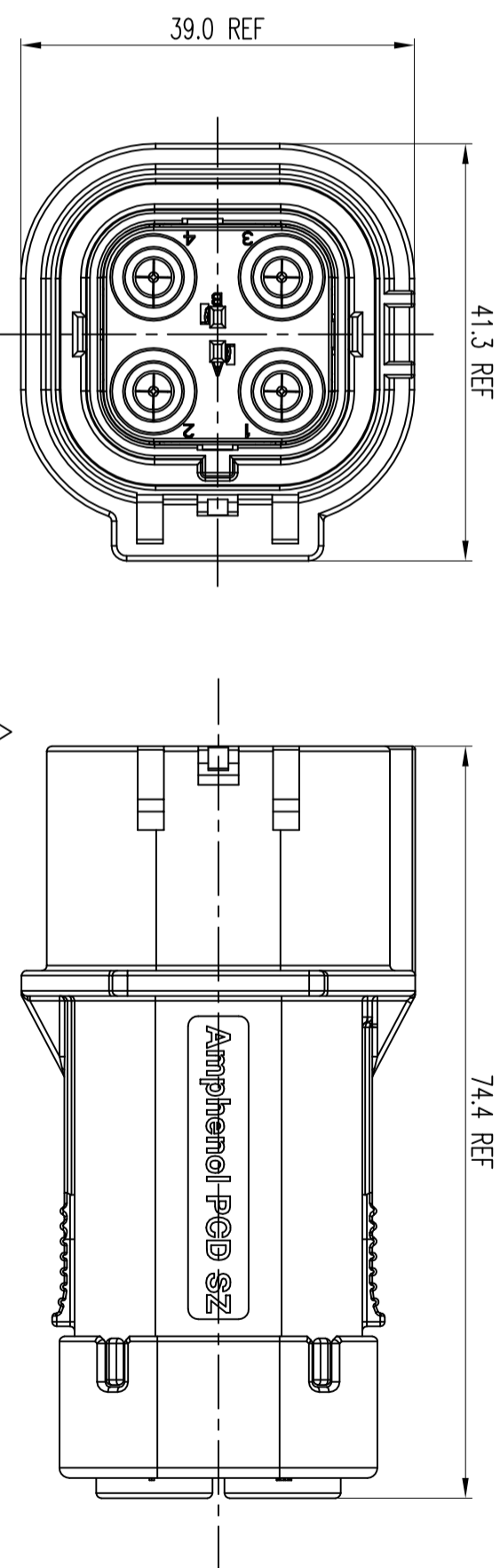


Material 材料
Insulator 绝缘体 : Orange PA66 UL94-V0 橙色尼龙
Contacts 端子: Copper alloy, Tin or Ag plated 铜合金镀锡或镀银
Shield 屏蔽: Copper alloy, Tin plated 铜合金镀锡
Seal 密封件: Red Silicone 红色硅胶
Ferrule 屏蔽环: Copper alloy, Tin plated 铜合金镀锡

APPLICATION: POLLUTION DEGREE II
OVERVOLTAGE CATEGORY II
INHOMOGENEOUS FIELD
ALTITUDE NO MORE THAN 2000M

★: 为关键特性符号 ◎: 为重要特性符号

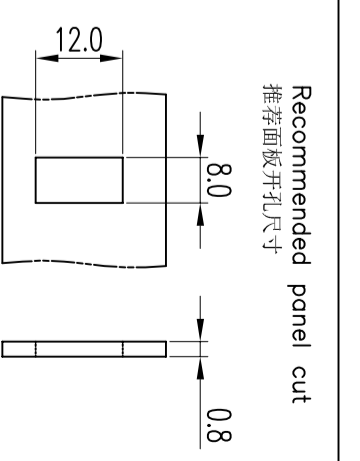
TECHNICAL DATA 技术参数	SPECIAL CHARACTERISTICS 特殊特性符号
VOLTAGE RATING 额定电压	1000V AC&DC
WITHSTAND VOLTAGE 耐压	3000V AC
INSULATION RESISTANCE 绝缘阻抗	> 100MΩ
CURRENT RATING 额定电流	12AWG/3.3mm ² wire: 25A MAX 4mm ² wire: 32A MAX 6mm ² wire: 40A MAX
WIRE RANGE 使用线径	12AWG/3.3-6mm ²
WATER PROOF (MATED CONDITION) 防护	IP67, IP2X
OPERATION TEMP. 操作温度	-40-125°C
MAX MATING CYCLES 插拔次数	50 TIMES



*NOTES:

1. Recommend OD of shielded wire for power contact 推荐线缆外径: 12AWG(3.3mm²), 4mm² wire: ϕ 5.30mm- ϕ 5.70mm
6mm² wire: ϕ 6.10mm- ϕ 6.50mm
2. Contact and plastic clip should be ordered separately. Details see below table. 端子及塑胶卡扣需要单独下单购买, 详见下表
3. if use less than 4 circuits, user can adopt seal stopper for populate, P/N is P03BP00068, 堵一芯用1pc
4. ROHS COMPLIANCE

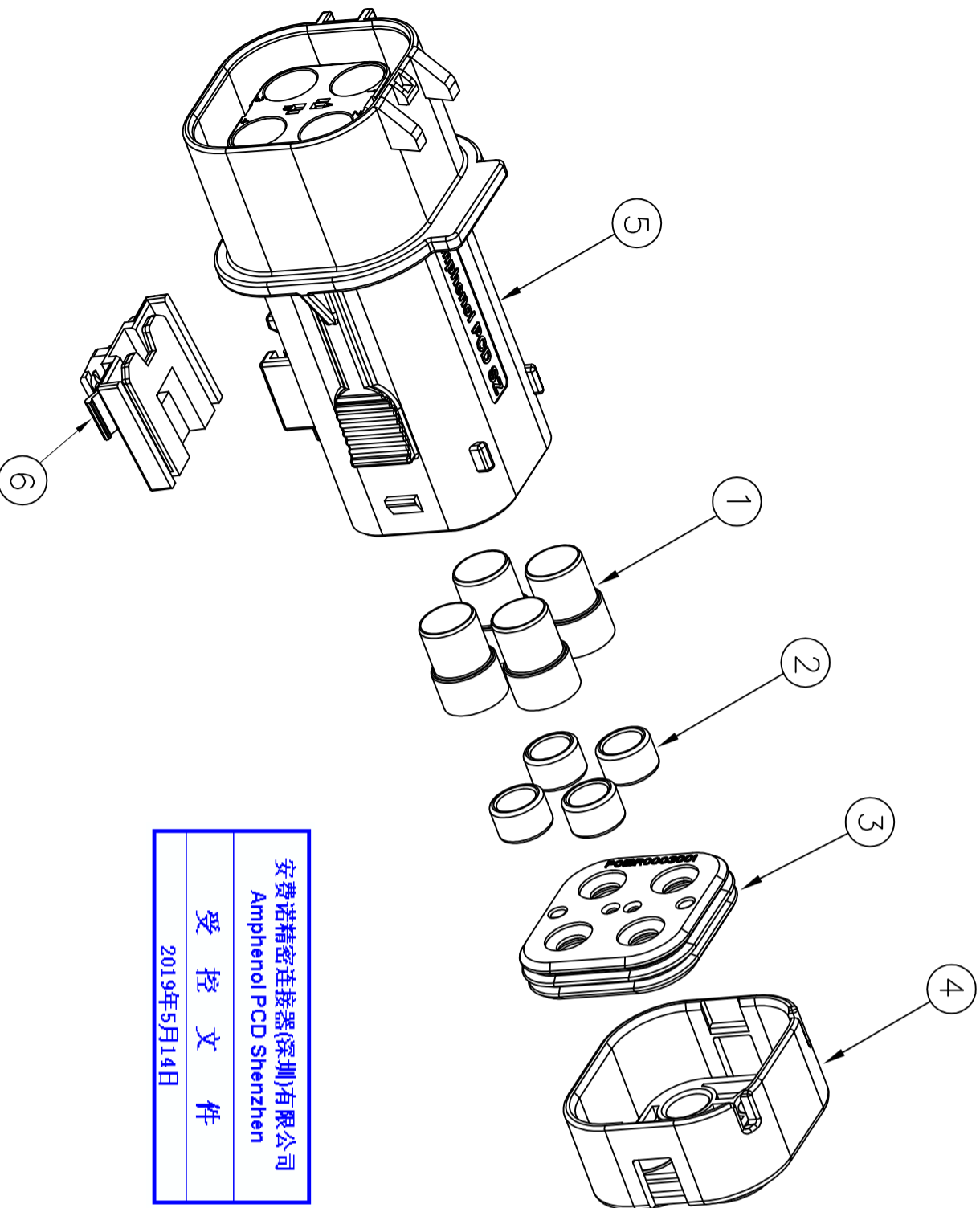
ORDERING P/N	POWER CONTACT(usage)	HVIL CONTACT(usage)	PLASTIC CLIP(usage)
HVSL364014X1061	C310026000(4PCS)	C310003614S(2PCS)	P03BP00112(1PC)
HVSL364014X1041	C310026004(4PCS)	C310003614S(2PCS)	P03BP00112(1PC)



DIMENSIONS	TOLERANCES	PROJECTION	TITLE	
ANSI Y14.5M UNITS: MM CAD FILE	X ± 0.5 XX ± 0.05 ANGLES ± 2°		HVSL364 SERIES 4P IN-LINE RECEPTACLE	
ORIGINAL	THIS DOCUMENT CONTAINS PROPRIETARY INFORMATION WHICH IS THE CONFIDENTIAL PROPERTY OF AMPHENOL PCD SHENZHEN		SIZE A3	REV C
			DWG NO. C-HVSL364014XXXXI	SHEET 1 OF 3
			SCALE 3:2	

C-HVSL364014XXXXI

C-HVSL364014XXXXI

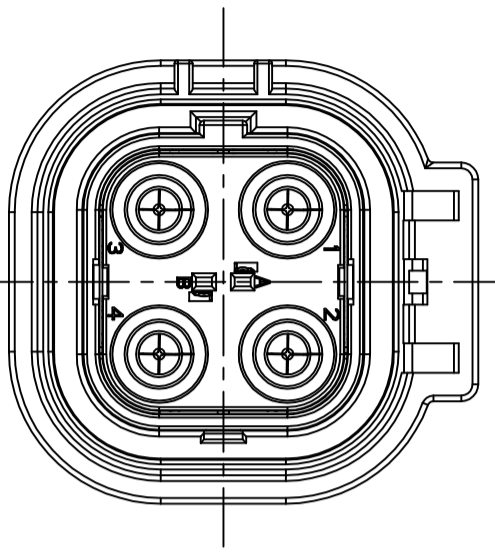


HVSL364014X1061	6	P03BP00112	1	6mm ² SHIELD CABLE OD=ø6.10-ø6.50
	5	HVSL364014X1	1	
	4	P03BP0003203	1	
	3	P03BR0003003	1	
	2	C4200011202	4	
	1	C4200011603	4	
HVSL364014X104	6	P03BP00112	1	12AWG(3.3mm ²) 4mm ² SHIELD CABLE OD=ø5.20-ø5.70
	5	HVSL364014X1	1	
	4	P03BP0003202	1	
	3	P03BR0003002	1	
	2	P03BS000024	4	
	1	C4200011603	4	
Assembly P/N	ITEM	COMPONENT P/N	QTY	REMARKS

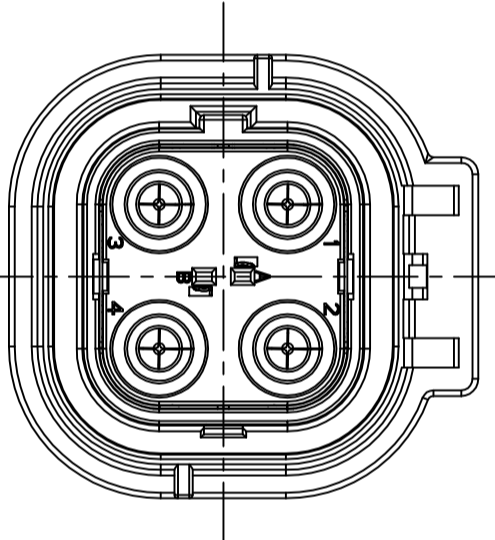
ITEM	Diagram	Wire size	PART NUMBER	DIM "d1"(mm)
ITEM1		12AWG(3.3mm ²) 4&6mm ² ~2	C4200011603	8.55mm
ITEM2		Wire size	PART NUMBER	DIM "d2"(mm)
		12AWG(3.3mm ²) 4mm ² ~2	P03BS000024	5.90mm
ITEM3		Wire size	PART NUMBER	DIM "d3"(mm)
		6mm ² ~2	P03BR0003002	4.00mm
ITEM4		Wire size	PART NUMBER	DIM "d4"(mm)
		12AWG(3.3mm ²) 4mm ² ~2	P03BR0003003	5.20mm
ITEM5		Wire size	PART NUMBER	
		6mm ² ~2	P03BP0003203	7.30mm
ITEM6		Wire size	PART NUMBER	
		4mm ² ~2	P03BP00112	

SIZE	DWG NO.	SCALE	SHEET	REV
A3	C-HVSL364014XXXXI	6:5	2 OF 3	C
CODE:				

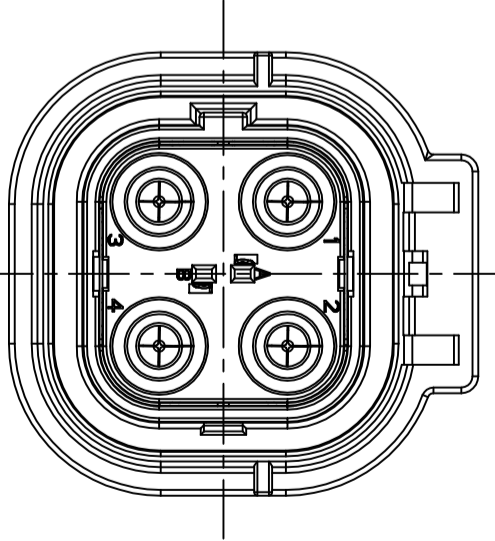
安费诺精密连接器(深圳)有限公司 Amphenol PCD Shenzhen
受控文件
2019年5月14日



KEY A
HVSL364014XXXXI



KEY B
HVSL364014BXXXXI



KEY C
HVSL364014CXXXXI

键位选择

SIZE	DWG NO.	REV
A3	C-HVSL364014XXXXI	C
CODE:	SCALE	SHEET
	3:2	3 OF 3