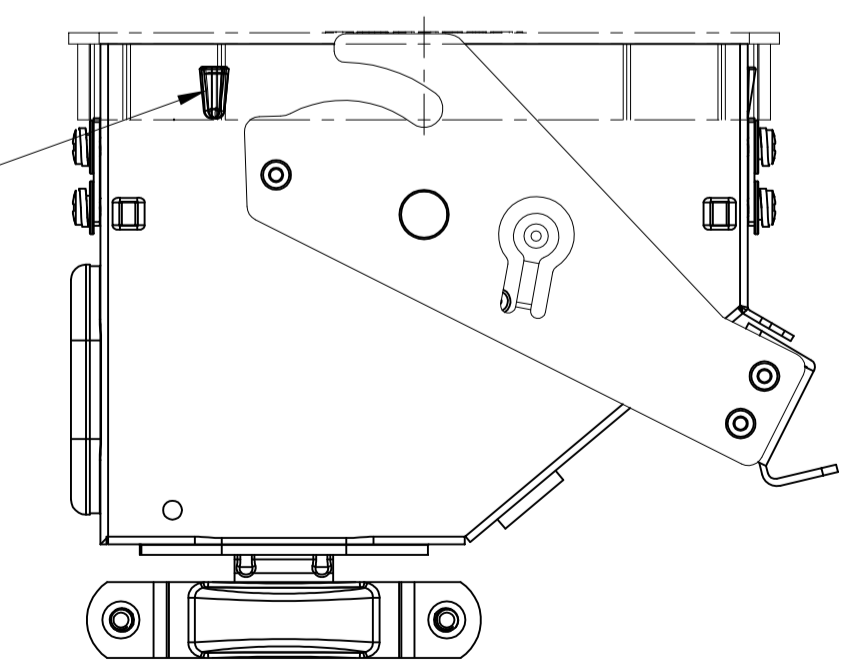
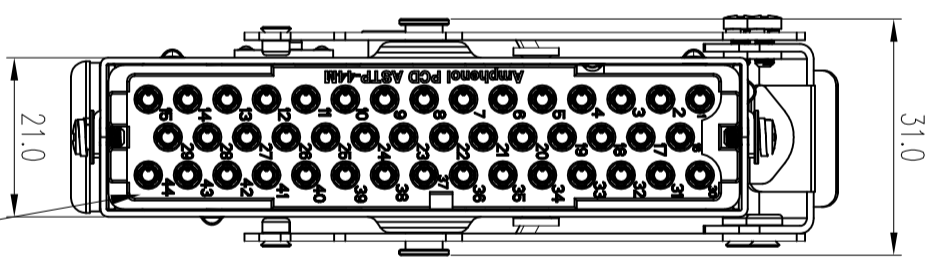
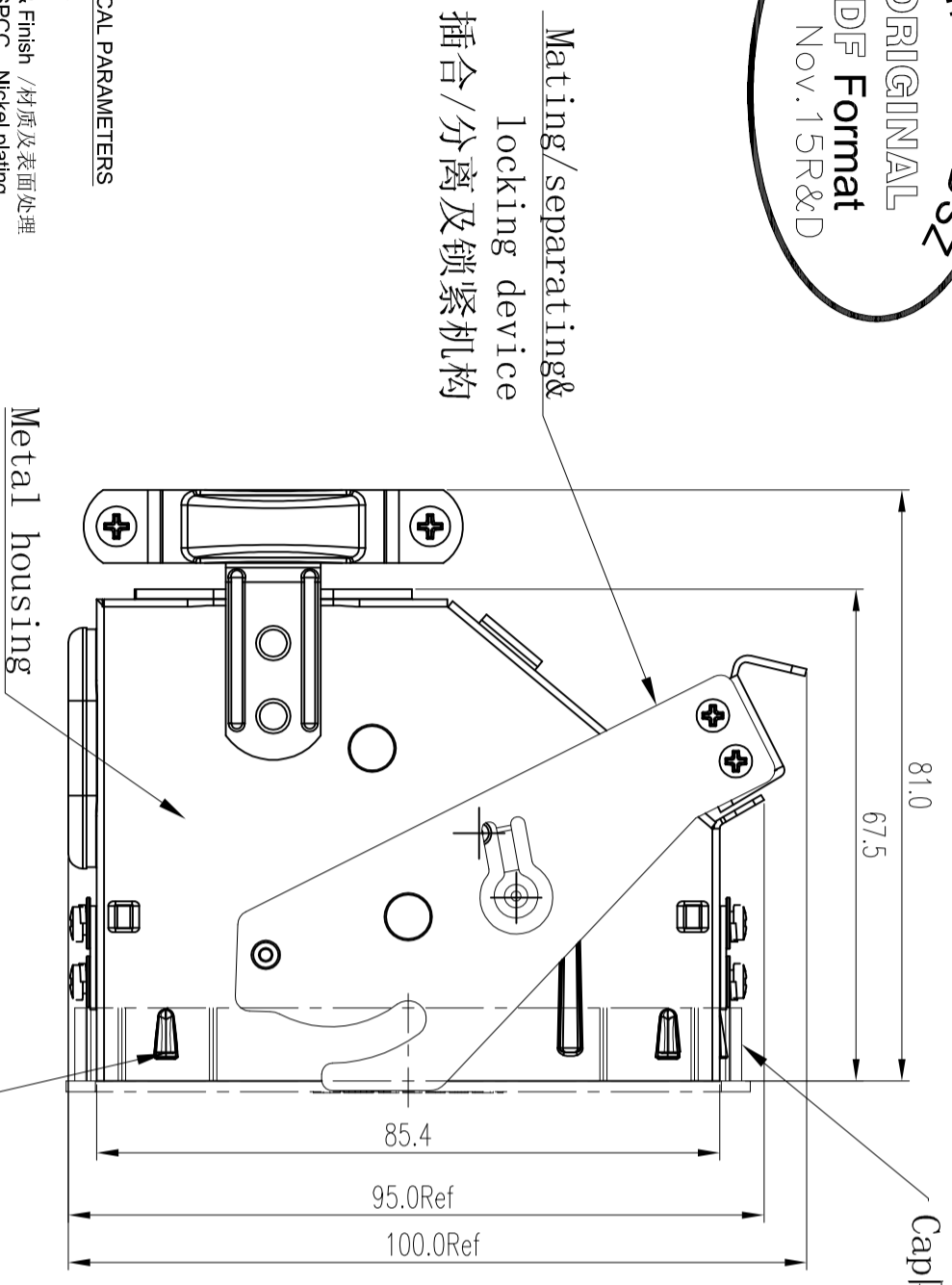


CTS41034DLSV

REV	ECN	DESCRIPTION	DATE	MODIFIED
1		PRE-RELEASE	3-Nov-15	Wode Liu



ASTP430144SLC

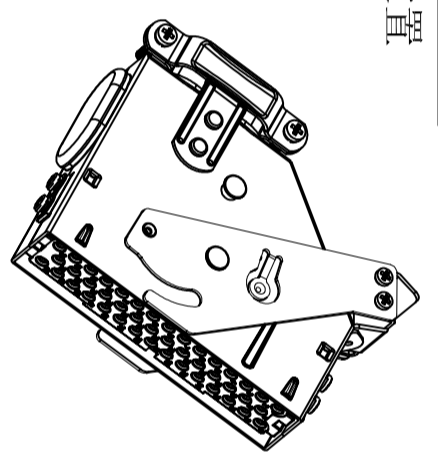
ASTP430144SLC

***TECHNICAL PARAMETERS**
技术参数

Material & Finish /材质及表面处理
Shell : SPCC, 表面镀锌
外壳: SPCC, 表面镀锌
Insert : Thermoplastic plastic, UL94-V0
插芯: 热塑性塑胶, UL94-V0级阻燃
Contact: Copper alloy, Gold plating(Order separately)
端子: 铜合金, 表面镀金(单独订购)
Grommet Rubber: Silicone
胶塞: 硅胶

Mechanical/Environment data /机械环境参数
Operating Temperature: -55°C ~ +125°C
操作温度: -55°C ~ +125°C
Durability: 750 cycles
插拔寿命: 750次
Contact Type: Crimping
端子型式: 压接式
Vibration&shock:
GB/T 21563-2008(IEC61373: 1999) I类B级
Salt spray: 48H
盐雾: 48H

Electrical data /电气参数
Withstand Voltage:2000V AC r.m.s
耐压: 2000V AC
Rated Current: 13A(#16 contacts)
额定电流: 13A
Rated Voltage: DC110V
额定电压: DC110伏
Insulation Resistance: >5000MΩ
绝缘电阻: 大于5000兆欧姆
Contact Resistance: < 2.5mΩ
接触电阻: 小于2.5毫欧
Wire:0.3~2.0mm²
线缆: 0.3~2.0平方



DIMENSIONS	TOLERANCES	PROJECTION	TITLE	
ANSI Y14.5M UNITS: MM CAD FILE	X .XX ANGLES ± 0.5 ±0.25 ±0.5°		Amphenol Pcd Shenzhen	ASTP CONNECTOR 44PIN PLUG
ORIGINAL NOT FOR CUSTOMER DISTRIBUTION	THIS DOCUMENT CONTAINS PROPRIETARY INFORMATION WHICH IS THE CONFIDENTIAL PROPERTY OF AMPHENOL PCD SHENZHEN		CHKD ENGR Wode Liu 3-Nov-15	SIZE A3 DWG NO. ASTP430144SLC
			APPD Dali Gao	SCALE 1:1
				SHEET 1 OF 1
				REV 1