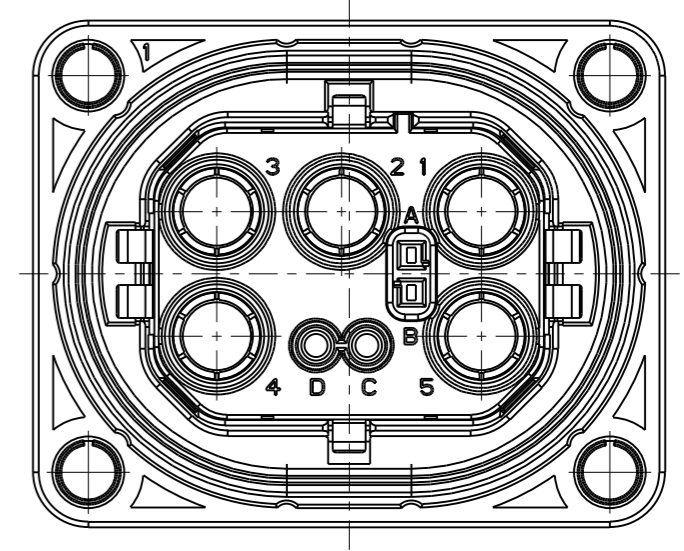
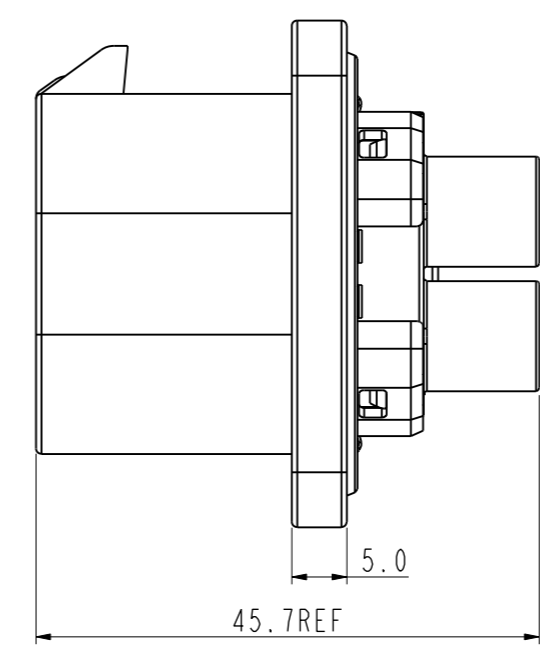
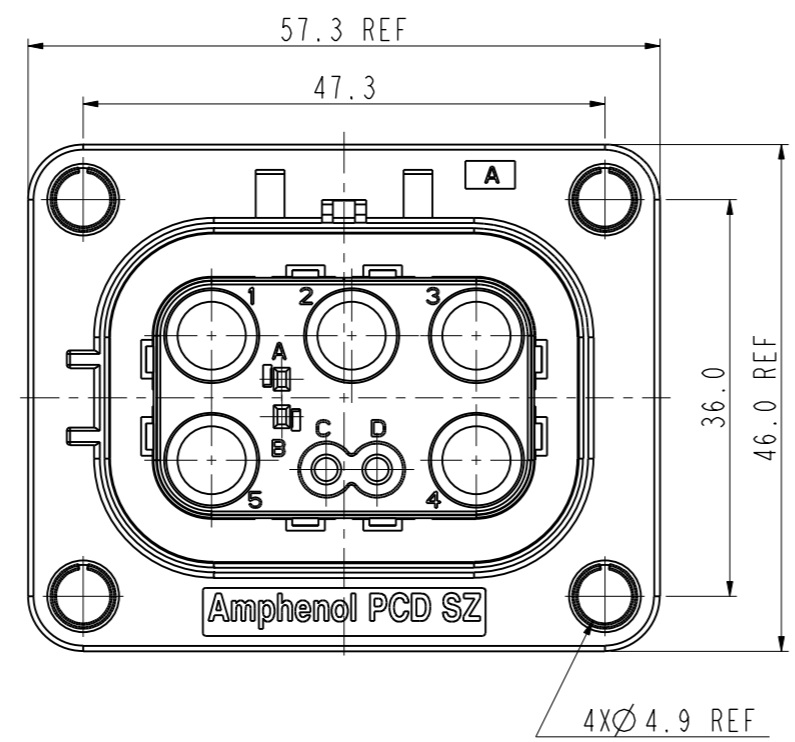


Amphenol PCDSZ
ORIGINAL
PDF Format
R&D

NOTES:
MATERIAL:
HOUSING: PA66 + GF25 UL94V-0
CONTACTS: COPPER ALLOY, TIN PLATED
SHIELD: COPPER ALLOY, TIN PLATED
SEAL: SILICON

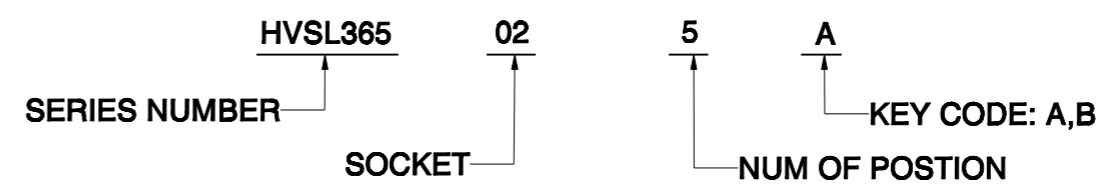
APPLICATION:
POLLUTION DEGREE 2
OVERVOLTAGE CATEGORY II
INHOMOGENEOUS FIELD
ALTITUDE NO MORE THAN 2000M

✦ IS CRITICAL CHARACTERISTIC SYMBOL
◎ IS IMPORTANT CHARACTERISTIC SYMBOL



TECHNICAL DATA		SPECIAL CHARACTERISTICS SYMBOL
VOLTAGE RATED	1000V AC&DC	✦
WITHSRAND VOLTAGE	3000V	✦
INSULATION RESISTANCE	> 100 MΩ	✦
CURRENT RATED	POWER CONTACT 20A(2.5 mm ²) 32A(4 mm ²) 40A(6 mm ²)	✦
	SIGNAL CONTACT 5A(0.5-0.75 mm ²)	
	HVIL CONTACT 5A(0.35-0.5 mm ²)	
IP PROTECTION (MATED CONDITION)	IP67	✦
IP FOR FINGER TOUCH (UNMATED CONDITION)	IP2XB	✦
SHEILD	YES	NA
DURABILITY	50 TIMES	◎
OPERATURE TEMPERATURE	-40° C - + 125° C	NA
WIRE RANGE	2.5-6 MM ²	NA

PART NUMBER SCHEME



NOTES:
1.HVSL365025A SHOWN IN THIS SHEET
2.POWER CONTACT,SIGNAL CONTACT AND HVIL CONTACT SHOULD BE ORDERED SEPARATELY,DETAIL SEE ORDERING INFORMATION TABLE.

ORDERING INFORMATION TABLE

ASSEMBLY ITEMS	SEPARATELY ORDERING PART/ 需单独购买零件			
HVSL365025X (X = A,B)	WIRE SIZE CHOOSE	POWER CONTACT (QTY PER ASSEMBLY)	SIGNAL CONTACT (QTY PER ASSEMBLY)	HVIL CONTACT (QTY PER ASSEMBLY)
	2.5mm ² WIRE	C310026002(5PCS)	LVRC20SC01S(2PCS)	C310003614S(2PCS)
	4&6mm ² WIRE	C310026000(5PCS)	LVRC20SC01S(2PCS)	C310003614S(2PCS)

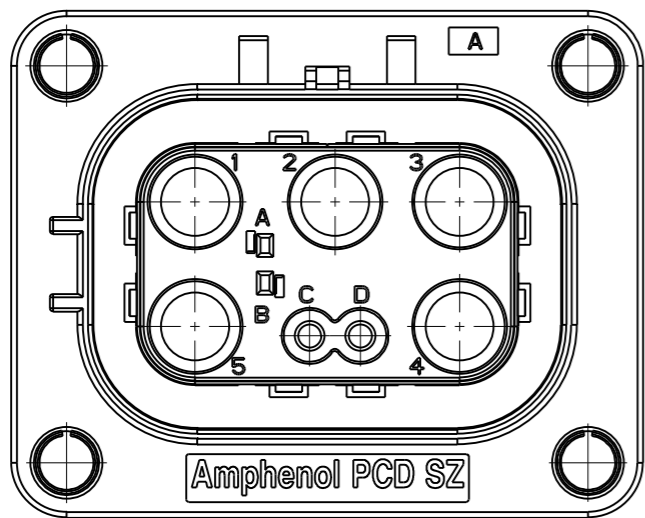
✦ 4.RoHS COMPLIANCES
5.TIGHTEN TORQUE WITH MOUNTING PLATE:2N.M

DIMENSIONS	TOLERANCES	PROJECTION	TITLE		
ANSI Y14.5M UNITS: MM Pro/E FILE	.X ±0.5 .XX ±0.05 ANGLES ±0.5°		HVSL SERIES 5POS SOCKET		
ORIGINAL	THIS DOCUMENT CONTAINS PROPRIETARY INFORMATION WHICH IS THE CONFIDENTIAL PROPERTY OF AMPHENOL PCD SHENZHEN	ENGR	SIZE	DWG NO.	REV
		CHKD	A3	C-HVSL365025X	A
		APPD	CODE: 58982	SCALE:	SHEET 1 OF 2

C-HVSL365025X

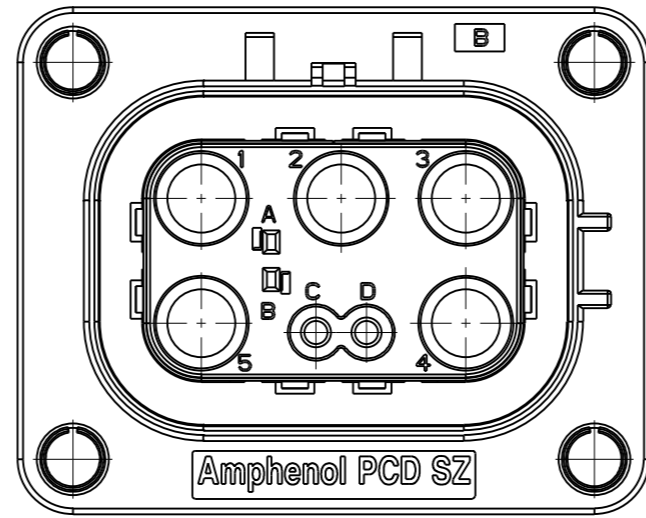
C-HVSL365025X

C-HVSL365025X



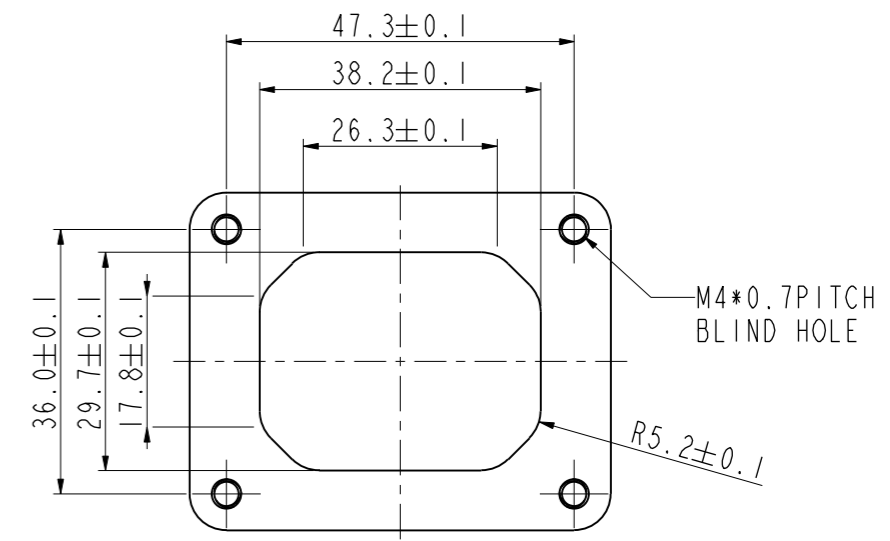
KEY A

P/N: HVSL365025A

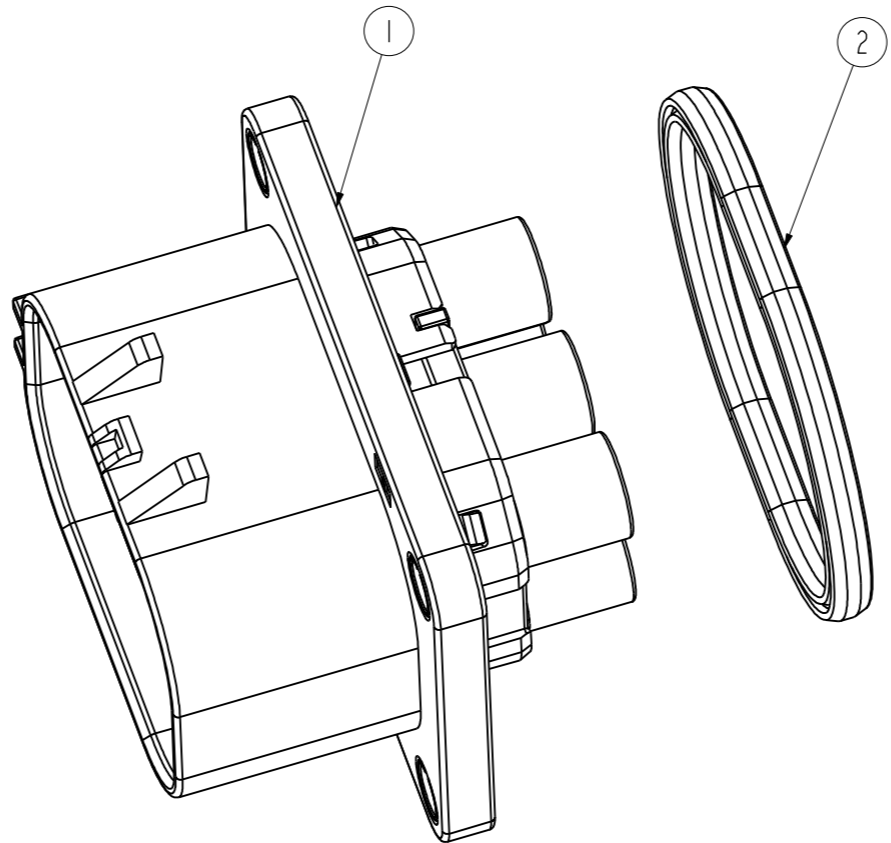


KEY B

P/N: HVSL365025B



MOUNTING INTERFACE VIEW



C-HVSL365025X

C-HVSL365025X

HVSL365025B	2	P03BR00032	1
	1	HVSL36502B	1
HVSL365025A	2	P03BR00032	1
	1	HVSL36502A	1
ASSEMBLY P/N	ITEM	COMPONENT P/N	QTY

SIZE A3	DWG NO. C-HVSL365025X	REV A
CODE: 58982	SCALE:	SHEET 2 OF 2