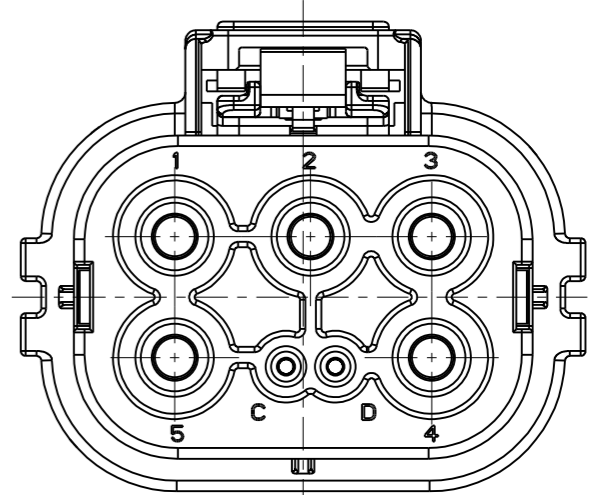
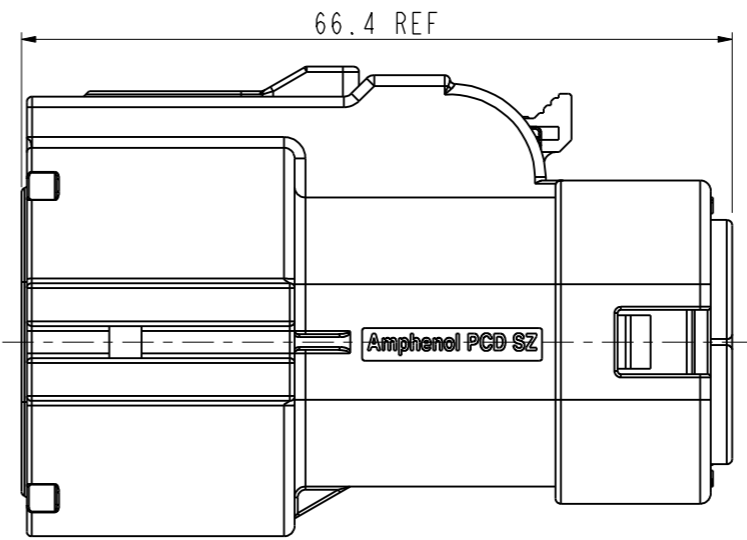
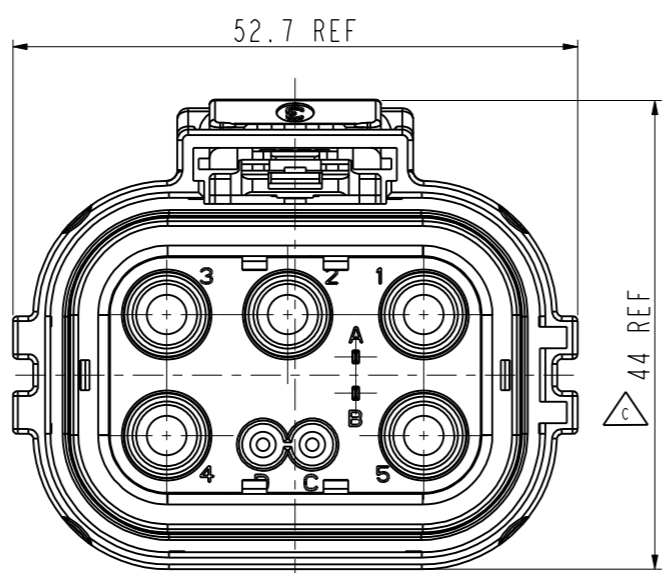




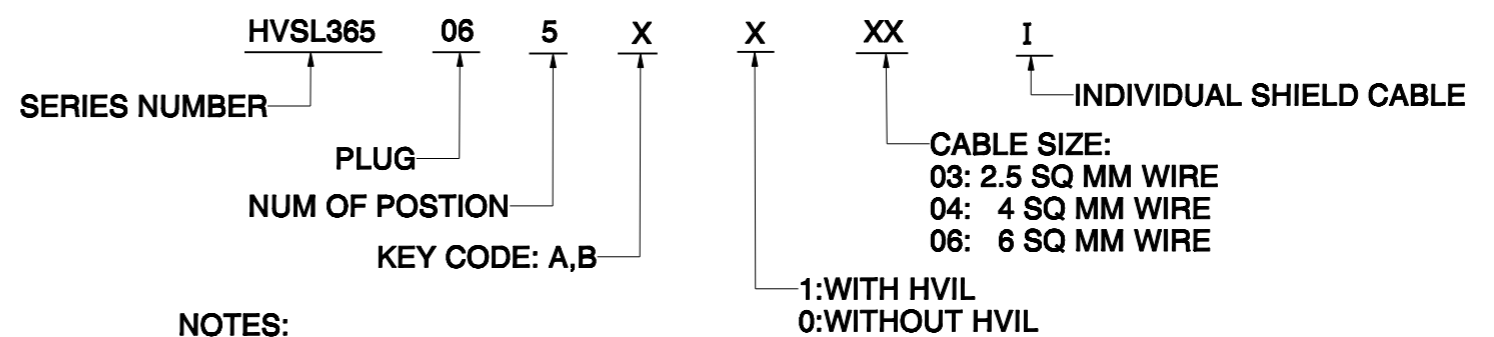
NOTES:

MATERIAL:
HOUSING: PA66 + GF25 UL94 V-0
CONTACTS: COPPER ALLOY, TIN PLATED
SHIELD: COPPER ALLOY, TIN PLATED
SEAL: SILICON
FERRULE: COPPER ALLOY, TIN PLATED

✦ IS CRITICAL CHARACTERISTIC SYMBOL
◎ IS IMPORTANT CHARACTERISTIC SYMBOL



PART NUMBER SCHEME



NOTES:

- HVSL365065AXXXI SHOWN IN THIS SHEET
- RECOMMEND OD OF SHIELDED WIRE FOR POWER CONTACT
 2.5 mm²: ϕ 4.20- ϕ 4.60
 4 mm²: ϕ 5.20- ϕ 5.70
 6 mm²: ϕ 6.10- ϕ 6.50
 RECOMMEND OD OF WIRE FOR SIGNAL CONTACT
 0.5-0.75 mm²: ϕ 1.90- ϕ 2.30
- POWER CONTACT AND SIGNAL CONTACT SHOULD BE ORDERED SEPARATELY, DETAIL SEE ORDERING INFORMATION TABLE.

ASSEMBLY ITEMS	SEPARATELY ORDERING PART		
	WIRE SIZE CHOOSE	POWER CONTACT (QTY PER ASSEMBLY)	SIGNAL CONTACT (QTY PER ASSEMBLY)
HVSL365065XXXXI	2.5mm ² WIRE	C310026003(5PCS)	L17D3D475T75(2PCS)
	4&6mm ² WIRE	C310026001(5PCS)	L17D3D475T75(2PCS)

TECHNICAL DATA		SPECIAL CHARACTERISTICS SYMBOL
VOLTAGE RATED	1000V AC&DC	✦
WITHSRAND VOLTAGE	3000V	✦
INSULATION RESISTANCE	> 100 M Ω	✦
CURRENT RATED	POWER CONTACT 20A(2.5 mm ²) 32A(4 mm ²) 40A(6 mm ²)	✦
	HVIL CONTACT 5A	
	SIGNAL CONTACT 5A(0.5-0.75 mm ²)	
IP PROTECTION (MATED CONDITION)	IP67	✦
IP FOR FINGER TOUCH (UNMATED CONDITION)	IP2XB	✦
SHEILD	YES	NA
DURABILITY	50 TIMES	◎
OPERATURE TEMPERATURE	-40 $^{\circ}$ C ~ 125 $^{\circ}$ C	NA
WIRE RANGE	2.5-6 SQ MM	NA

APPLICATION:
POLLUTION DEGREE 2
OVERVOLTAGE CATEGORY II
INHOMOGENEOUS FIELD
ALTITUDE NO MORE THAN 2000M

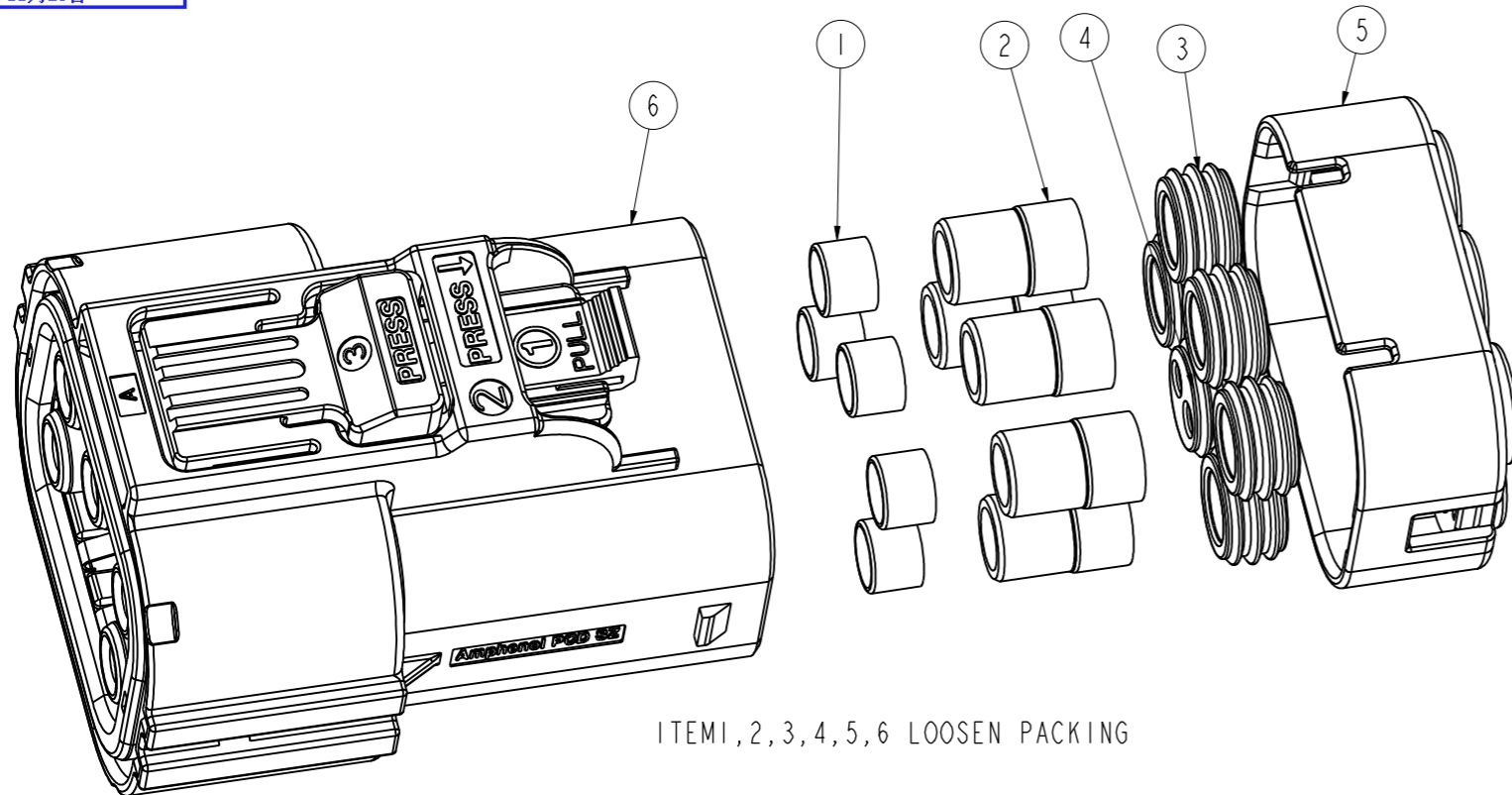
✦ 4.RoHS COMPLIANCES

DIMENSIONS	TOLERANCES	PROJECTION	TITLE		
ANSI Y14.5M UNITS: MM Pro/E FILE	.X \pm 0.5 .XX \pm 0.05 ANGLES \pm 0.5 $^{\circ}$		HVSL SERIES 5POS PLUG		
ORIGINAL	THIS DOCUMENT CONTAINS PROPRIETARY INFORMATION WHICH IS THE CONFIDENTIAL PROPERTY OF AMPHENOL PCD SHENZHEN	ENGR			
		CHKD	SIZE	DWG NO.	REV
		APPD	A3	C-HVSL365065XXXXI	C
			CODE: 58982	SCALE: 6:5	SHEET 1 OF 2

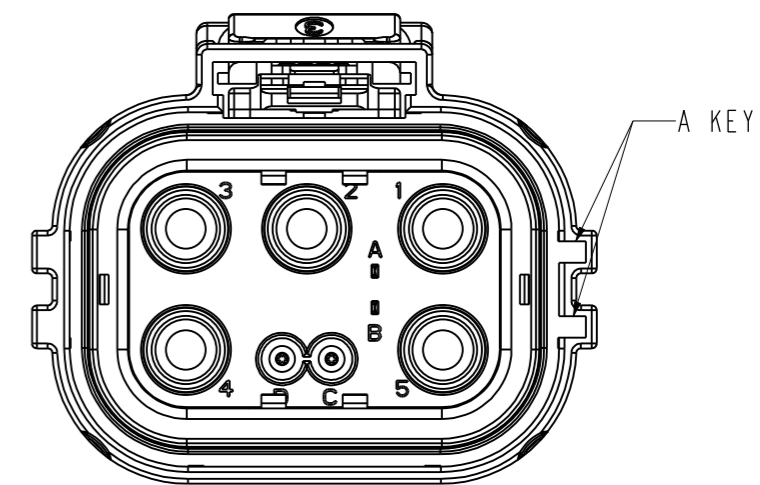
C-HVSL365065XXXXI

C-HVSL365065XXXXI

C-HVSL365065XXXXI

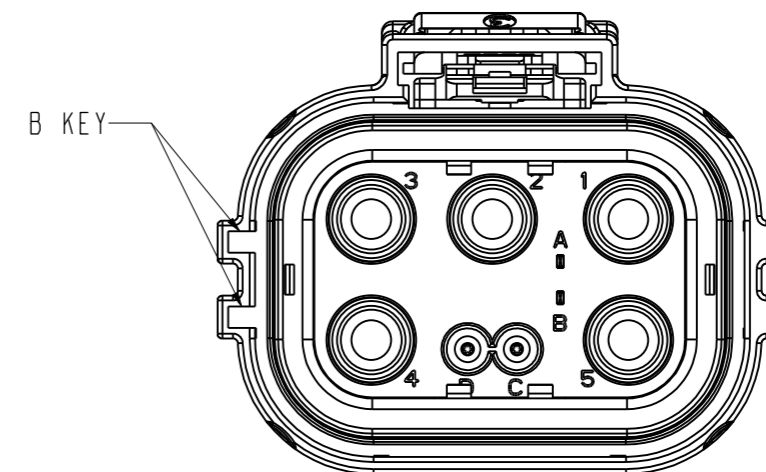


ITEM 1, 2, 3, 4, 5, 6 LOOSEN PACKING



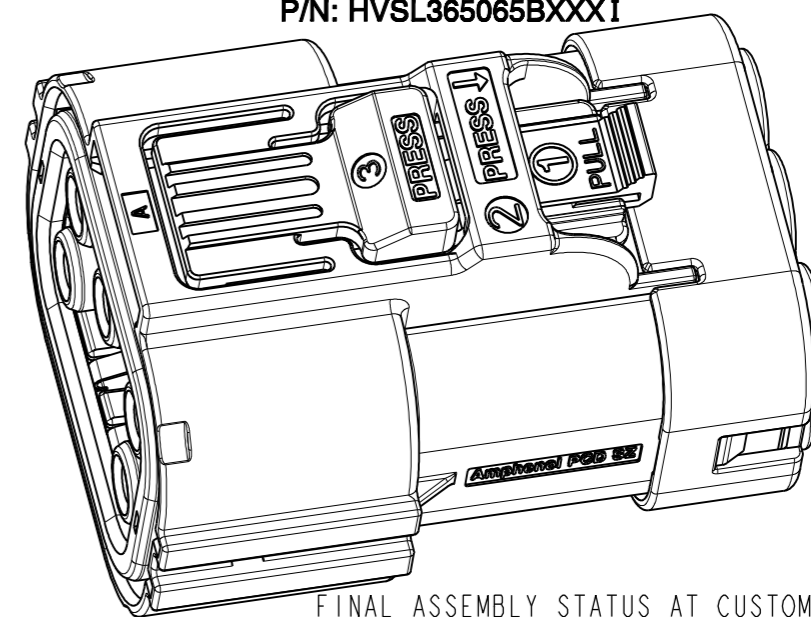
KEY A

P/N: HVSL365065AXXXI





KEY B

P/N: HVSL365065BXXXI



FINAL ASSEMBLY STATUS AT CUSTOMER SIDE

ASSEMBLY P/N	ITEM	COMPONENT P/N	QTY	REMARKS
C-HVSL365065XXXXI HVSL365065XX03I	6	HVSL36506XY(X=A,B;Y=0,1)	1	2.5 SQ MM SHIELD CABLE OD=∅4.2-∅4.6
	5	P03BP0004704	1	
	4	P03BR00035	1	
	3	P03BR0003403	5	
	2	C4200011603 	5	
	1	P03BM00250 	5	
HVSL365065XX04I	6	HVSL36506XY(X=A,B;Y=0,1)	1	4 SQ MM SHIELD CABLE OD=∅5.2-∅5.7
	5	P03BP0004705	1	
	4	P03BR00035	1	
	3	P03BR0003402	5	
	2	C4200011603	5	
	1	P03BS00024	5	
HVSL365065XX06I	6	HVSL36506XY(X=A,B;Y=0,1)	1	6 SQ MM SHIELD CABLE OD=∅6.1-∅6.5
	5	P03BP0004706	1	
	4	P03BR00035	1	
	3	P03BR0003401	5	
	2	C4200011603	5	
	1	C4200011202	5	

C-HVSL365065XXXXI

SIZE A3	DWG NO. C-HVSL365065XXXXI	REV C
CODE: 58982	SCALE: 6:5	SHEET 2 OF 2