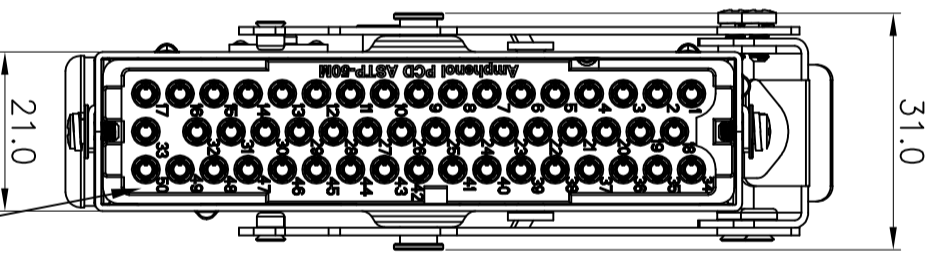
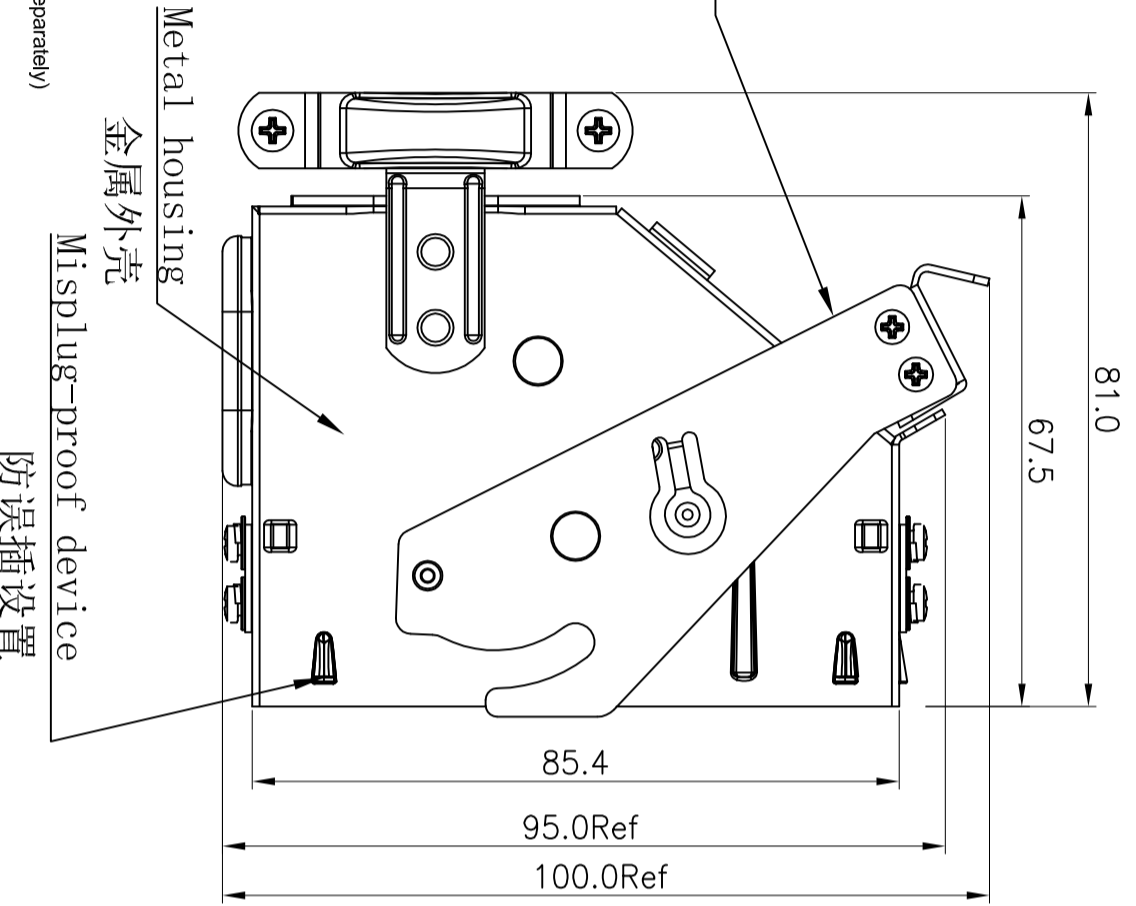


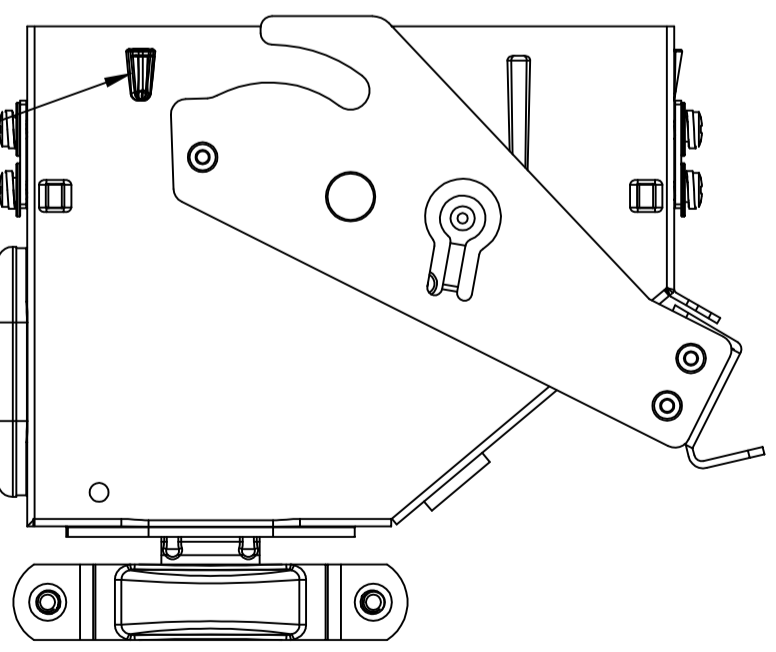
CTS05103t4DL1SV

REV	ECN	DESCRIPTION	DATE	MODIFIED
1		PRE-RELEASE	3-Nov-15	Wode Liu
2		UPDATE DRAWING	3-Nov-16	Wode Liu

Mating/separating  
locking device  
插合/分离及锁紧机构



Plastic insert  
Mislug-proof device  
防误插设置



ASTP430150SLC

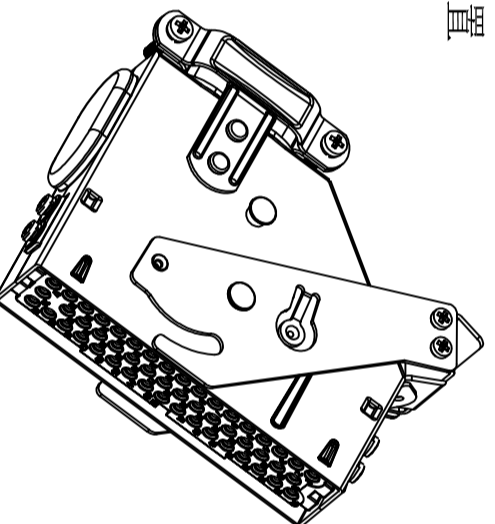
ASTP430150SLC

\*TECHNICAL PARAMETERS  
技术参数

Material & Finish /材质及表面处理  
Shell : SPCC, 表面镀锌  
外壳: SPCC, 表面镀锌  
Insert : Thermoplastic plastic, UL94-V0  
插芯: 热塑性塑胶, UL94-V0级阻燃  
Contact: Copper alloy, Gold plating(Order separately)  
端子: 铜合金, 表面镀金(单独订购)  
Grommet Rubber: Silicone  
胶塞: 硅胶

Mechanical/Environment data /机械环境参数  
Operating Temperature: -55°C ~ +125°C  
操作温度: -55°C ~ +125°C  
Durability: 750 cycles  
插拔寿命: 750次  
Contact Type: Crimping  
端子型式: 压接式  
Vibration&shock:  
GB/T 21563-2008 (IEC61373: 1999) I类B级  
Salt spray: 48H  
盐雾: 48H

Electrical data /电气参数  
Withstand Voltage: 2000V AC r.m.s  
耐压: 2000V AC  
Rated Current: 13A(#16 contacts)  
额定电流: 13A  
Rated Voltage: DC110V  
额定电压: DC110伏  
Insulation Resistance: >5000MΩ  
绝缘电阻: 大于5000兆欧姆  
Contact Resistance: < 2.5mΩ  
接触电阻: 小于2.5毫欧  
Wire: 0.3~2.0mm<sup>2</sup>  
线缆: 0.3~2.0平方



DIMENSIONS	TOLERANCES	PROJECTION	TITLE	
ANSI Y14.5M UNITS: MM CAD FILE	X .XX ANGLES ±0.5°		ASTP CONNECTOR 50PIN PLUG	
ORIGINAL NOT FOR CUSTOMER DISTRIBUTION	THIS DOCUMENT CONTAINS PROPRIETARY INFORMATION WHICH IS THE CONFIDENTIAL PROPERTY OF AMPHENOL PCD SHENZHEN		CHKD ENGR	REV 2
			Amphenol Pcd Shenzhen	SIZE A3
				DWG NO. ASTP430150SLC
				SCALE 1:1
				SHEET 1 OF 1