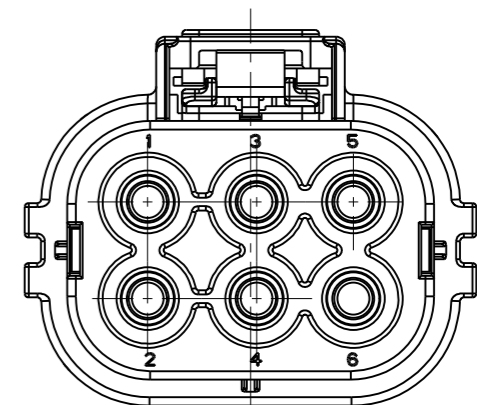
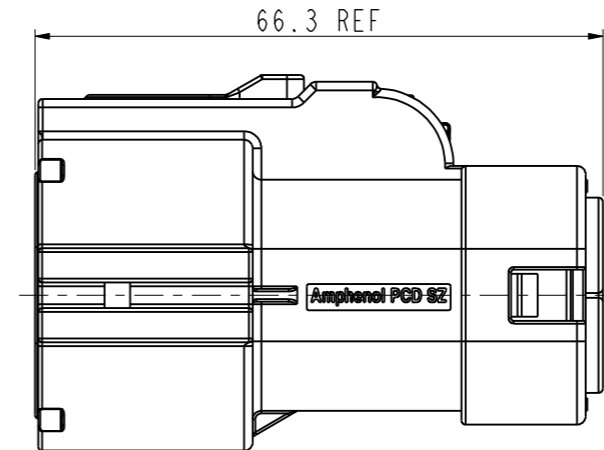
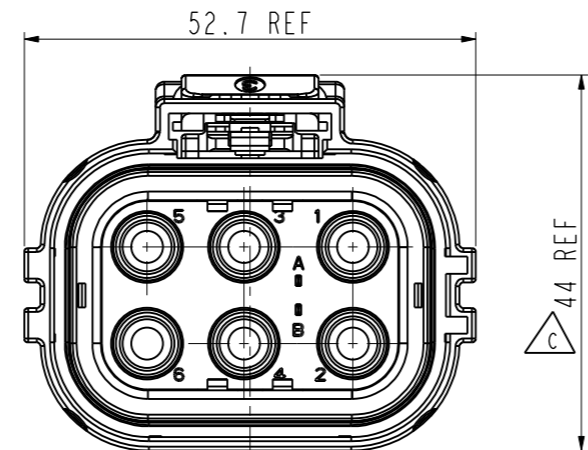


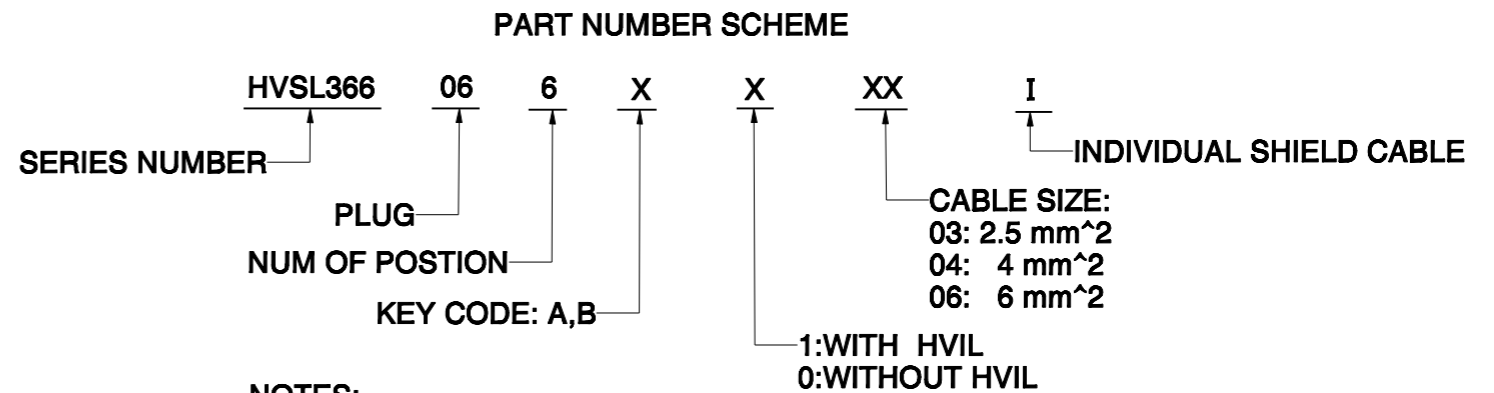


NOTES:

MATERIAL:  
HOUSING: PA66 + GF25 UL94V-0  
CONTACTS: COPPER ALLOY, TIN PLATED  
SHIELD: COPPER ALLOY, TIN PLATED  
SEAL: SILICON  
FERRULE: COPPER ALLOY, TIN PLATED



✦ IS CRITICAL CHARACTERISTIC SYMBOL  
◎ IS IMPORTANT CHARACTERISTIC SYMBOL



TECHNICAL DATA		SPECIAL CHARACTERISTICS SYMBOL
VOLTAGE RATED	1000V AC&DC	✦
WITHSTAND VOLTAGE	3000V	✦
INSULATION RESISTANCE	> 100 MΩ	✦
CURRENT RATED	POWER CONTACT 20A(2.5 mm <sup>2</sup> ) 32A(4 mm <sup>2</sup> ) 40A(6 mm <sup>2</sup> )	✦
	SIGNAL CONTACT 5A	
IP PROTECTION (MATED CONDITION)	IP67	✦
IP FOR FINGER TOUCH (UNMATED CONDITION)	IP2XB	✦
SHEILD	YES	NA
DURABILITY	50 TIMES	◎
OPERATURE TEMPERATURE	-40° C ~ 125° C	NA
WIRE RANGE	2.5-6 SQ MM	NA

NOTES:  
1.HVSL366066AXXXI SHOWN IN THIS SHEET  
2.RECOMMEND OD OF SHIELDED WIRE FOR POWER CONTACT/ 屏蔽线缆外径尺寸参考  
2.5 mm<sup>2</sup>: ∅ 4.20-∅ 4.60  
4 mm<sup>2</sup>: ∅ 5.20-∅ 5.70  
6 mm<sup>2</sup>: ∅ 6.10-∅ 6.50  
3.POWER CONTACT SHOULD BE ORDERED SEPARATELY,DETAIL SEE ORDERING INFORMATION TABLE.  
ORDERING INFORMATION TABLE

ASSEMBLY ITEMS	SEPARATELY ORDERING PART/ 需单独购买零件	
HVSL366066XXXXI	WIRE SIZE CHOOSE	POWER CONTACT (QTY PER ASSEMBLY)
	4&6mm <sup>2</sup> WIRE	C310026001(6PCS)
	2.5mm <sup>2</sup> WIRE	C310026003(6PCS)

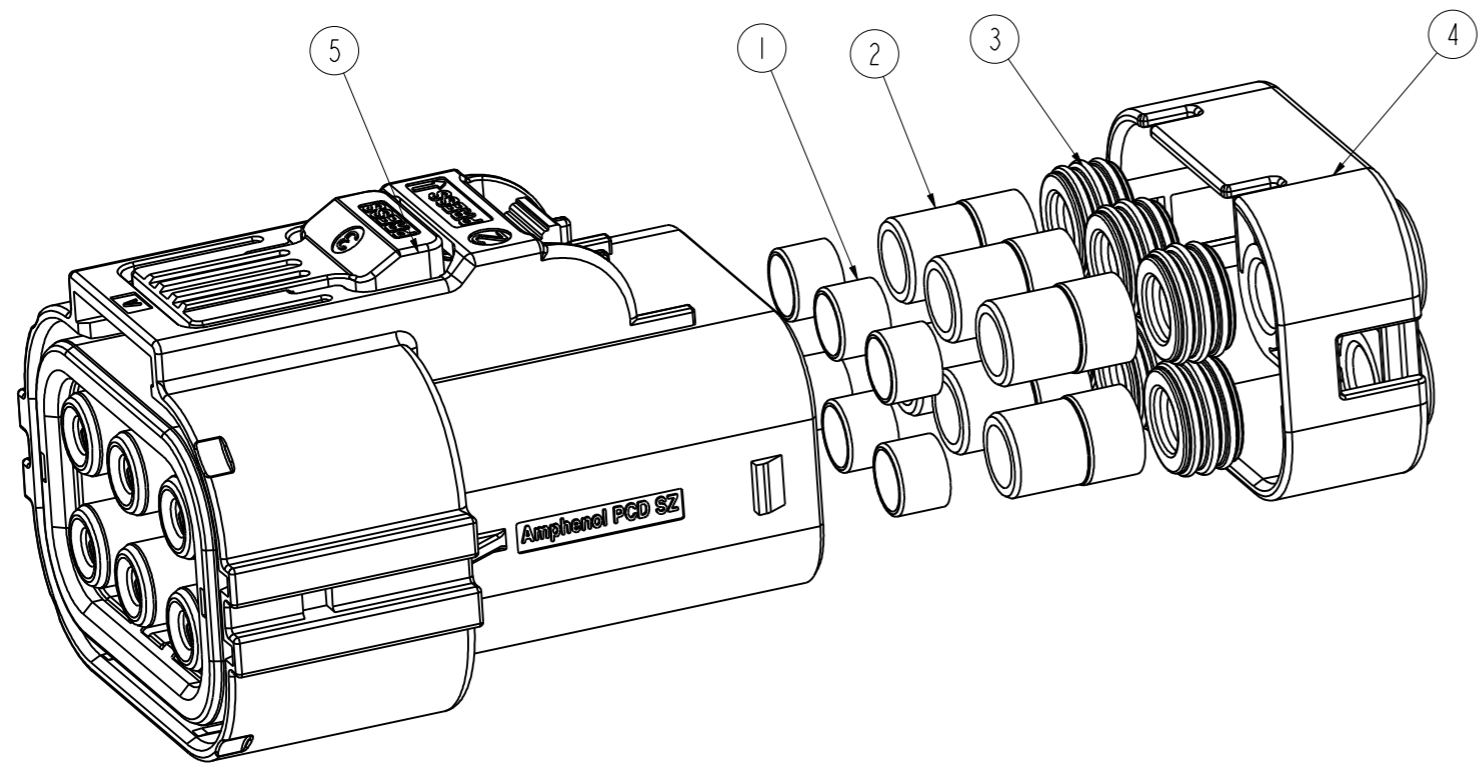
✦ 4.RoHS COMPLIANCES

APPLICATION:  
POLLUTION DEGREE 2  
OVERVOLTAGE CATEGORY II  
INHOMOGENEOUS FIELD  
ALTITUDE NO MORE THAN 2000M

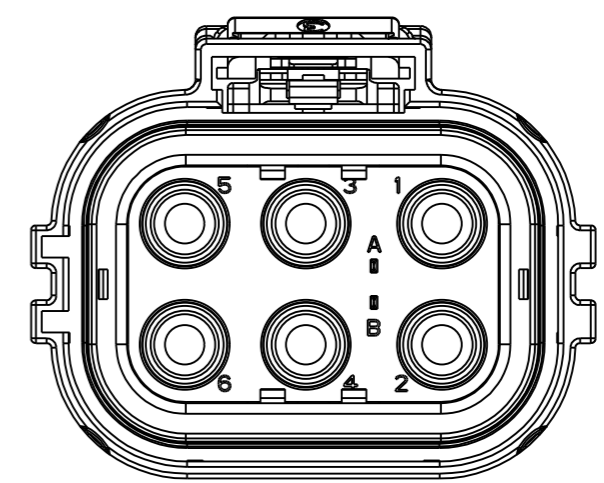
DIMENSIONS	TOLERANCES	PROJECTION	TITLE		
ANSI Y14.5M UNITS: MM Pro/E FILE	.X ±0.5 .XX ±0.05 ANGLES ±2.0°		HVSL SERIES 6POS PLUG		
ORIGINAL	THIS DOCUMENT CONTAINS PROPRIETARY INFORMATION WHICH IS THE CONFIDENTIAL PROPERTY OF AMPHENOL PCD SHENZHEN	ENGR	SIZE	DWG NO.	REV
		CHKD APPD	A3	C-HVSL366066XXXXI	C
		CODE: 58982	SCALE: 6:5	SHEET 1 OF 2	

C-HVSL366066XXXXI

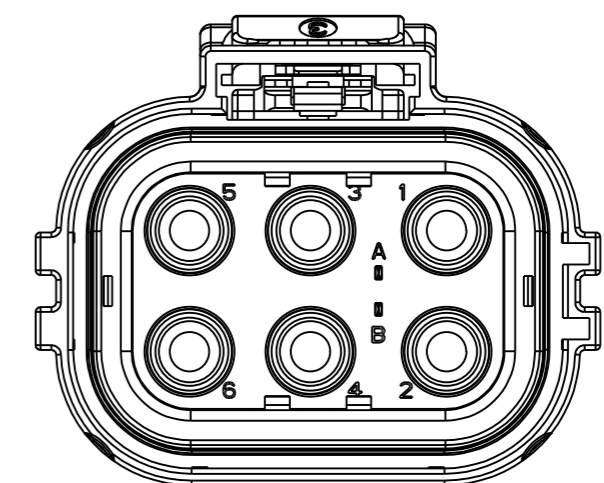
C-HVSL366066XXXXI



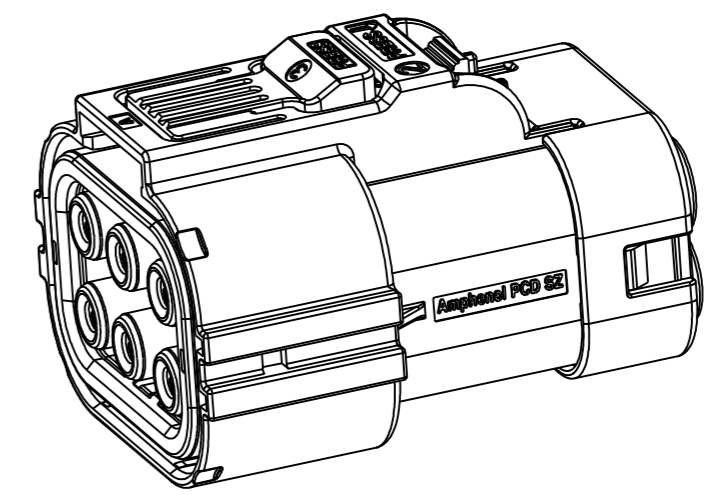
ITEM 1,2,3,4,5 LOOSEN PACKING



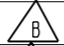

KEY B  
P/N: HVSL366066BXXXI



KEY A  
P/N: HVSL366066AXXXI



FINAL ASSEMBLY STATUS AT CUSTOMER SIDE

ASSEMBLY P/N	ITEM	COMPONENT P/N	QTY	REMARKS
HVSL366066XX03I	5	HVSL36606XY(X=A,B;Y=0,1)	1	2.5 SQ MM SHIELD CABLE OD=Ø 4.2-Ø 4.6
	4	P03BP0004701	1	
	3	P03BR0003403	6	
	2	C4200011603 	6	
	1	P03BM00250 	6	
HVSL366066XX04I	5	HVSL36606XY(X=A,B;Y=0,1)	1	4 SQ MM SHIELD CABLE OD=Ø 5.2-Ø 5.7
	4	P03BP0004702	1	
	3	P03BR0003402	6	
	2	C4200011603	6	
	1	P03BS00024	6	
HVSL366066XX06I	5	HVSL36606XY(X=A,B;Y=0,1)	1	6 SQ MM SHIELD CABLE OD=Ø 6.1-Ø 6.5
	4	P03BP0004703	1	
	3	P03BR0003401	6	
	2	C4200011603	6	
	1	C4200011202	6	

C-HVSL366066XXXXI

C-HVSL366066XXXXI

SIZE <b>A3</b>	DWG NO. <b>C-HVSL366066XXXXI</b>	REV <b>C</b>
CODE: 58982	SCALE: 6:5	SHEET 2 OF 2