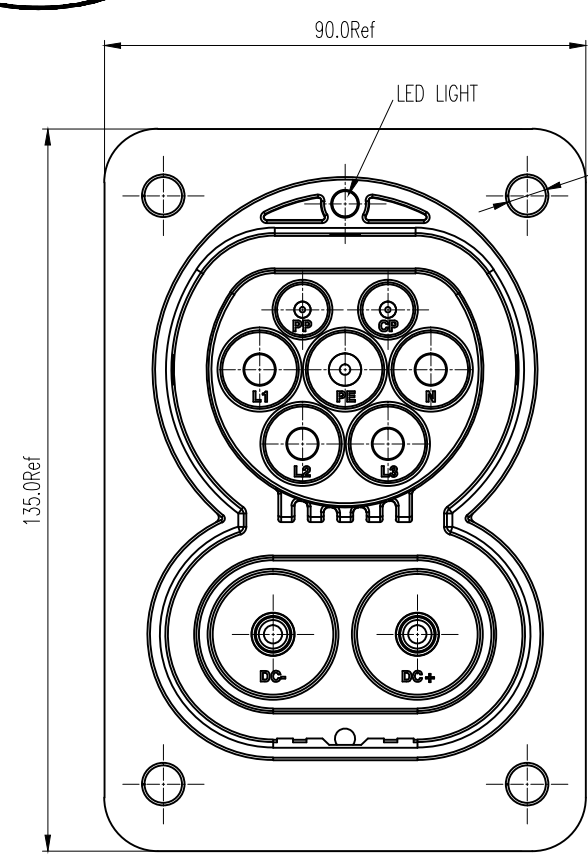


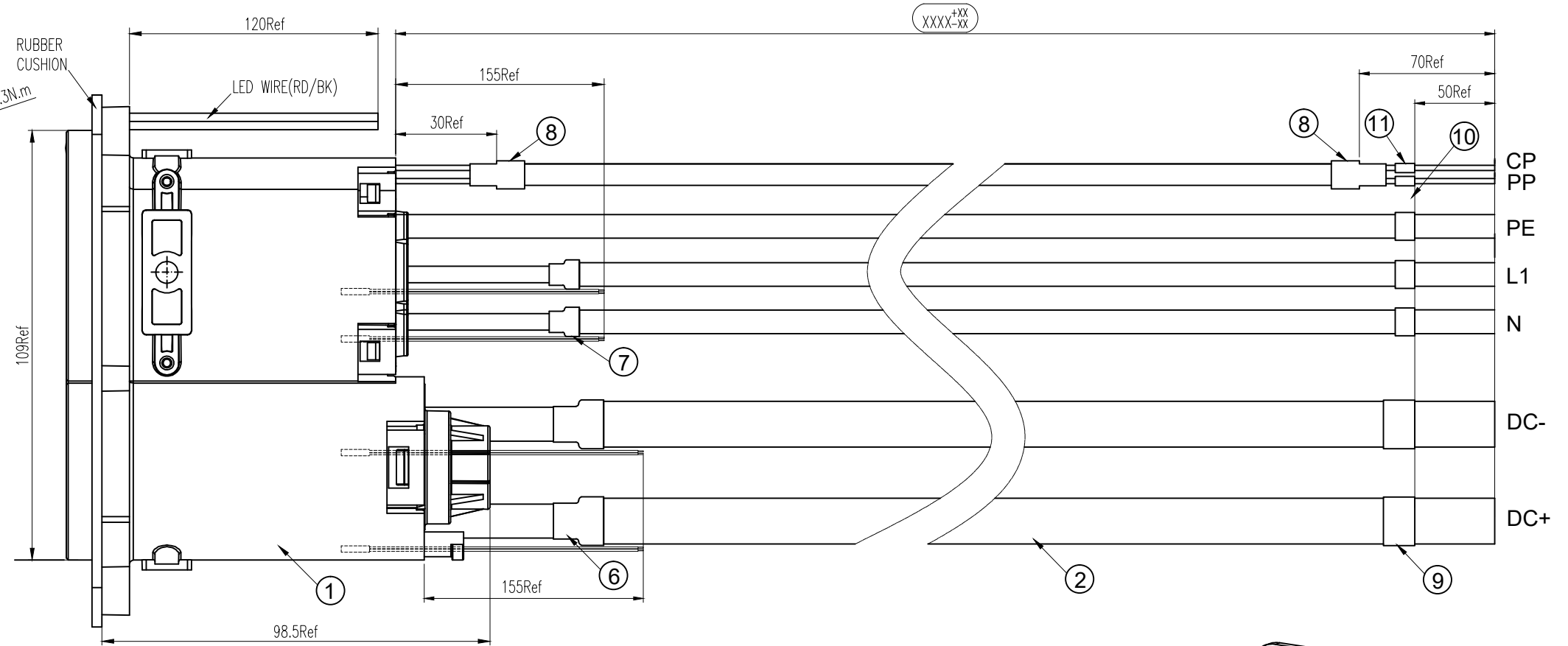
REV	ECN	DESCRIPTION	DATE	MODIFIED
1		PRE-RELEASE	2021.07.29	
2	R6286	UPDATED 95mm2 CURRENT 300A Max	May-18-2022	

Amphenol PCD SZ  
ORIGINAL  
PDF Format  
R&D

受控文件  
2022年5月30日

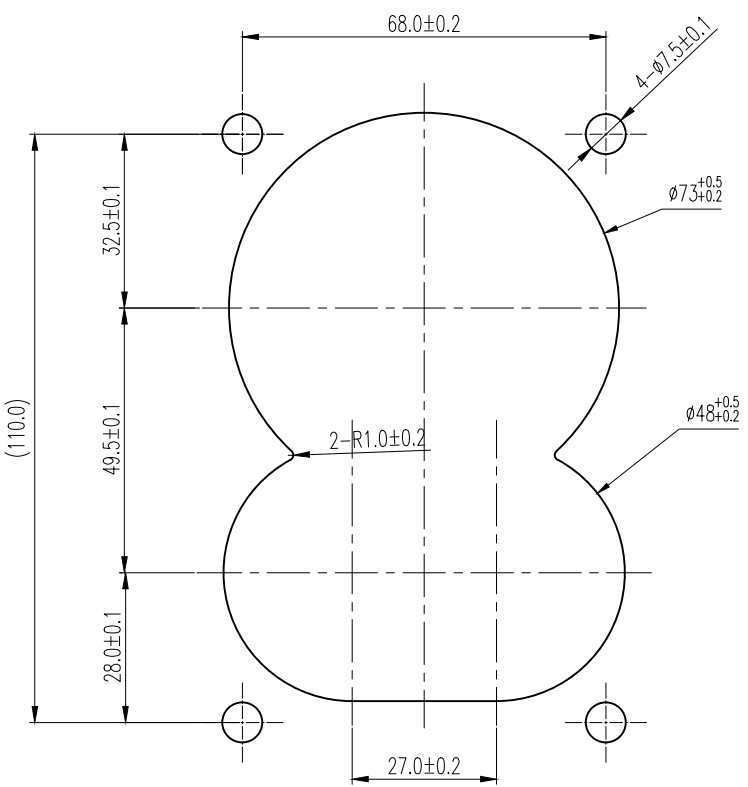


IEC COMBO  
FOR VEHICLE COUPLER SOCKET



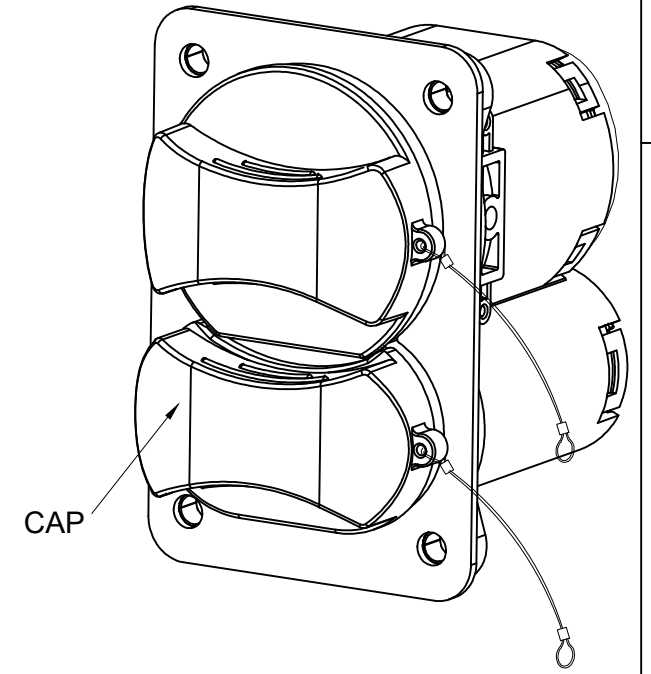
C-HVCOCF16BPTR8SF795LXXXX

C-HVCOCF16BPTR8SF795LXXXX



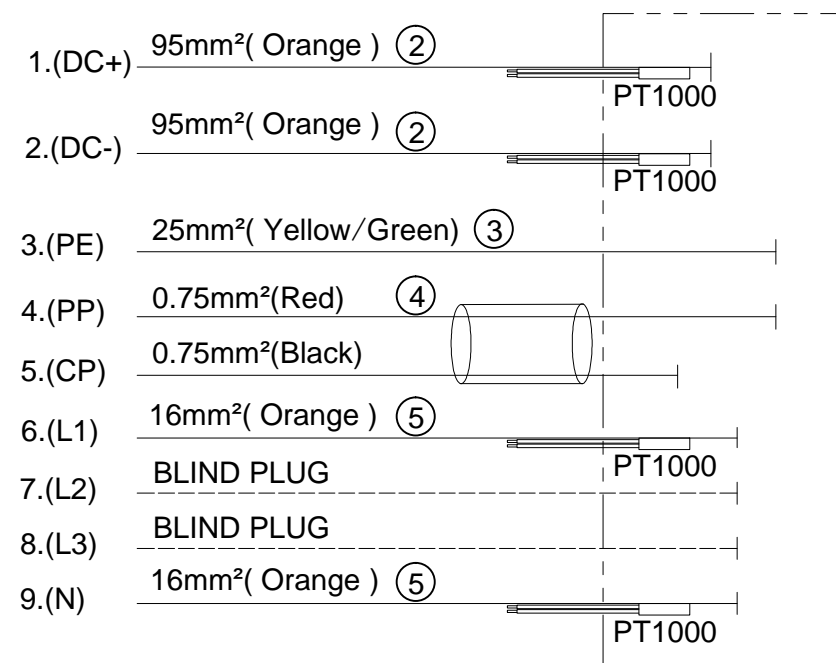
HVCOCF16BPTR8SF795L XXXX

LENGTH	TOLERANCE
0~1000mm	+25 -10
1001~5000mm	+40 -10
>5000mm	+50 -20



DIMENSIONS	TOLERANCES	PROJECTION	TITLE				
ANSI Y14.5M UNITS: MM CAD FILE	.X ± 0.5 .XX ± 0.05 ANGLES ± 2.0°		<b>CCS2 Vehicle INLET</b> <b>DC1000V/300A; 1 PHASES AC250V/63A</b> <b>Cable Assembly</b>				
ORIGINAL	THIS DOCUMENT CONTAINS PROPRIETARY INFORMATION WHICH IS THE CONFIDENTIAL PROPERTY OF AMPHENOL PCD SHENZHEN. AMPHENOL PCD SHENZHEN RESERVES THE RIGHT TO CLARIFY THIS DRAWING.						Amphenol PCD Shenzhen
			CHKD	APPD	SIZE <b>A3</b>	DWG NO. <b>C-HVCOCF16BPTR8SF795LXXXX</b>	
					CODE:	SCALE	SHEET 1 OF 2
							REV <b>2</b>

CABLE CONNECT METHOD



安费诺精密连接器(深圳)有限公司  
 Amphenol PCD Shenzhen  
 受控文件  
 2022年5月30日

\*Notes:

1.Cable assembly data:

✦ Rated Voltage and Current:  $\Delta$

1000V DC / 300A Max(DC+,DC-);300A TESTED UNDER 40°C AMBIENT AND MATCHED 100mm<sup>2</sup> WIRE SIZE CONNECTOR (TEMPERATURE DETECTED BY PT1000 SHOULD NOT EXCEED 90°C DURING USE)

250V AC / 63A Max(L1,N);  
 30 V DC / 2A Max (CP,PP);

✦ Insulation Resistance:100M $\Omega$  Min/DC1000V(DC+&DC-&PE)  
 100M $\Omega$  Min/DC500V(PP&CP)

✦ Withstand Voltage:DC+,DC-,PE / 3000V/AC r.m.s,  
 PP&CP / 500V/AC r.m.s

✦ IP-Class: IP44(Mated)

✦ RoHS Compliance;

Ambient Temperature: -30°C ~ +50°C.

2.Connector referance: C-HVCOCF16BPTR8SF795L0000

3.Reference IEC 62196-3;

⑪	C210006837	SINGLE-WALL H.S.T: Ø3.2 WHITE	0.1	m
⑩	C210006511	SINGLE-WALL H.S.T: Ø12.7 WHITE	0.1	m
⑨	C210004341	SINGLE-WALL H.S.T: Ø25 WHITE	0.1	m
⑧	C210006440	DOUBLE-WALL H.S.T: Ø8 BLACK	0.1	m
⑦	P05B000015	DOUBLE-WALL H.S.T: Ø15 BLACK	0.1	m
⑥	C210006502	DOUBLE-WALL H.S.T: Ø25 BLACK	0.1	m
⑤	P01BC00123	1C*16mm <sup>2</sup> SHIELDING ORANGE OD=11.2±0.3,ID=8.0±0.2	AR	m
④	P01BC00029	2*0.75mm <sup>2</sup> SHIELDING ORANGE OD=6.7±0.2	AR	m
③	C210030044	1C*25mm <sup>2</sup> UNSHIELDING YELLOW/GREEN OD=9.3±0.2	AR	m
②	P01BC00128	1C*95mm <sup>2</sup> SHIELDING ORANGE OD=21.3±0.6,ID=16.9±0.4	AR	m
①	HVCOCF16BPTR8SF795L0000	IEC COMBO HVCOCF16BPTR8SF795L0000	1	EA
ITEM	P/N	DESCRIPTION	QTY	UNIT

SIZE	DWG NO.	REV
A3	C-HVCOCF16BPTR8SF795LXXXX	2
CODE: 58982	SCALE 1:1	SHEET 2 OF 2