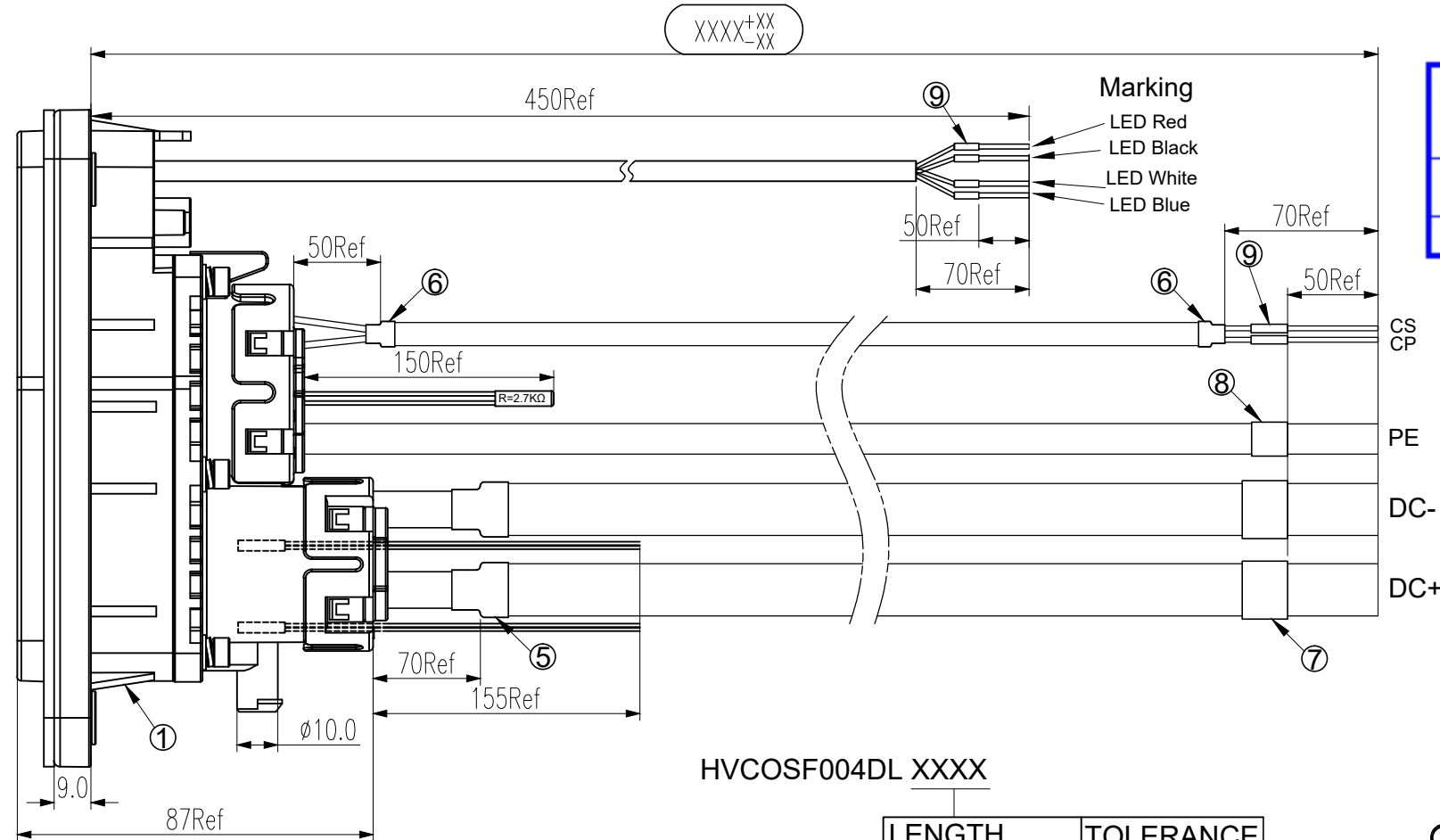
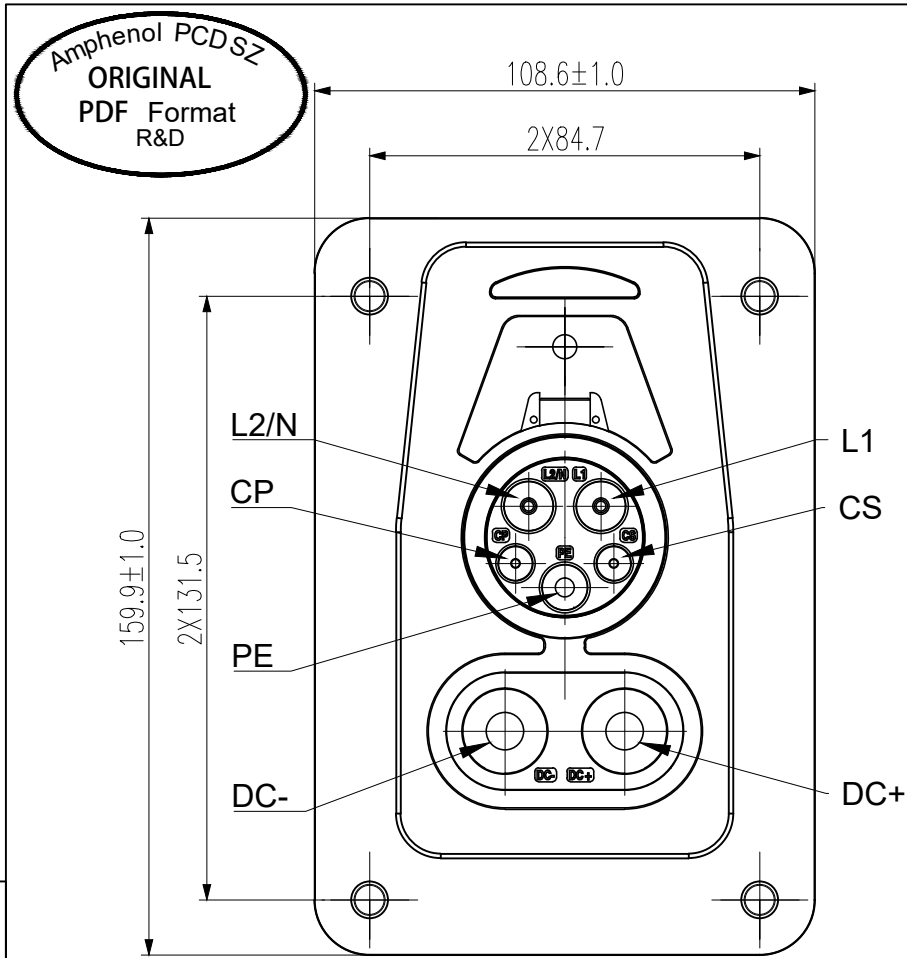
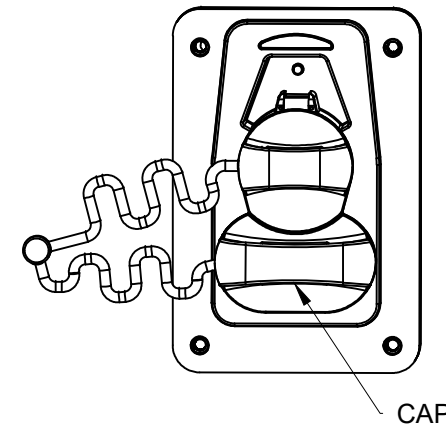


REV	ECN	DESCRIPTION	DATE	MODIFIED
1		PRE-RELEASE	2021.06.10	



安费诺精密连接器(深圳)有限公司  
Amphenol PCD Shenzhen  
受控文件  
2021年6月16日



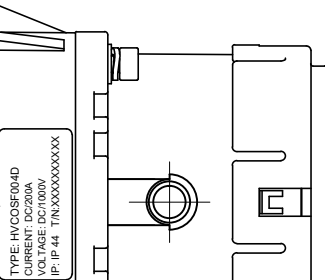
C-HVCOSF004DLXXXX

C-HVCOSF004DLXXXX

Laser Marking (Scale 3:1)

TYPE: HVCOSF004D  
CURRENT: DC/200A  
VOLTAGE: DC/1000V  
IP: IP 44 T/N:XXXXXXXXXX

Bottom Laser Marking

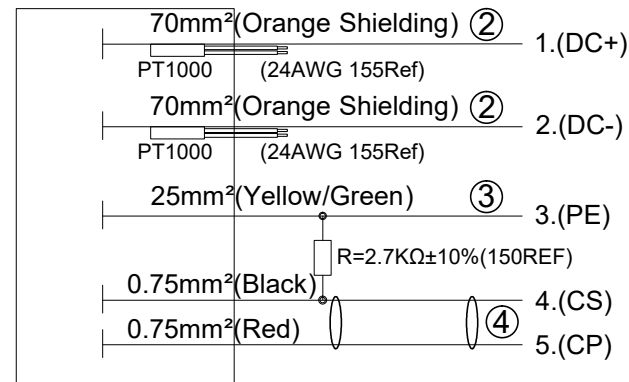


LENGTH	TOLERANCE
0~1000mm	+25 -10
1001~5000mm	+40 -10
>5000mm	+50 -20

\*Notes:

- 1.Cable assembly data:
- ★Rated Voltage&Rated Current:  
DC+:1000V DC, 200A Max;  
DC-: 1000V DC, 200A Max;  
PE: 25mm<sup>2</sup> GROUND;  
CS:30V DC 2A;  
CP:30V DC 2A;
- ★Insulation Resistance:100MΩ Min(DC 1000V /DC+&DC-);
- ★Insulation Resistance:100MΩ Min(DC 500V /CP);
- ★Withstand Voltage:3000V/AC r.m.s(DC+&DC-);
- ★Withstand Voltage:500V/AC r.m.s(CP);
- ★IP-Class(mated): IP44(SAE COMBO PLUG);
- ◎Durability:10000 cycles(SAE COMBO PLUG);
- ★RoHS Compliance;
- Ambient Temperature: -30°C ~ +50°C;
- 2.Reference:C-HVCOSF004D  
Comply with IEC62196-2&3; UL2251 ; J1772

CABLE CONNECT METHOD



ITEM	P/N	DESCRIPTION	QTY	UNIT
⑨	C210006837	H.S.T Ø 3.2mm WHITE LABEL	0.05	m
⑧	C210006511	H.S.T Ø 12mm WHITE LABEL	0.05	m
⑦	C210006512	H.S.T Ø 19mm WHITE LABEL	0.1	m
⑥	C210006440	DOUBLE-WALL H.S.T: Ø8 BLACK	0.1	m
⑤	C210006501	DOUBLE-WALL H.S.T: Ø19 BLACK	0.1	m
④	P01BC00029	2C*0.75mm <sup>2</sup> SHIELDING ORANGE OD=6.7±0.3,ID=2.3±0.15	AR	m
③	C210030044	1C*25mm <sup>2</sup> UNSHIELDING YELLOW/GREEN OD=9.3±0.2	AR	m
②	P01BC00127	1C*70mm <sup>2</sup> SHIELDING ORANGE OD=19ID=14.5 Tinned copper	AR	m
①	HVCOSF004D	HVCOSF004D,200A/DC,NO AC, BLACK,WITH LED	1	EA

DIMENSIONS	TOLERANCES	PROJECTION	TITLE	
ANSI Y14.5M UNITS: MM CAD FILE	.X ± 0.5 .XX ± 0.05 ANGLES ± 2.0°		Amphenol PCD Shenzhen	
ORIGINAL	THIS DOCUMENT CONTAINS PROPRIETARY INFORMATION WHICH IS THE CONFIDENTIAL PROPERTY OF Amphenol PCD Shenzhen Co. Ltd Amphenol PCD Shenzhen Co. Ltd RESERVES THE RIGHT TO CLARIFY THIS DRAWING		ENGR 2021.06.10	CCS1 Vehicle INLET DC1000V/200A;WITH LED Cable assembly
		CHKD APPD	SIZE A3	DWG NO. C-HVCOSF004DLXXXX
			CODE: 58982	SCALE SHEET 1 OF 1