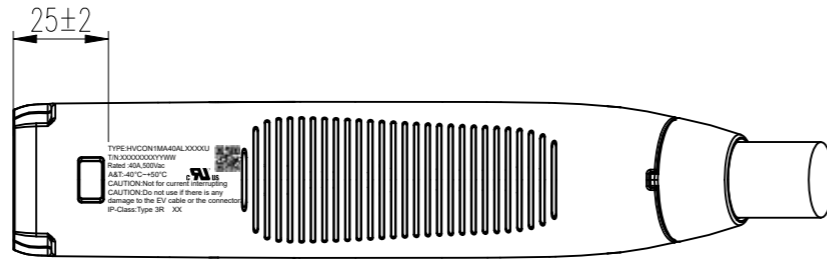
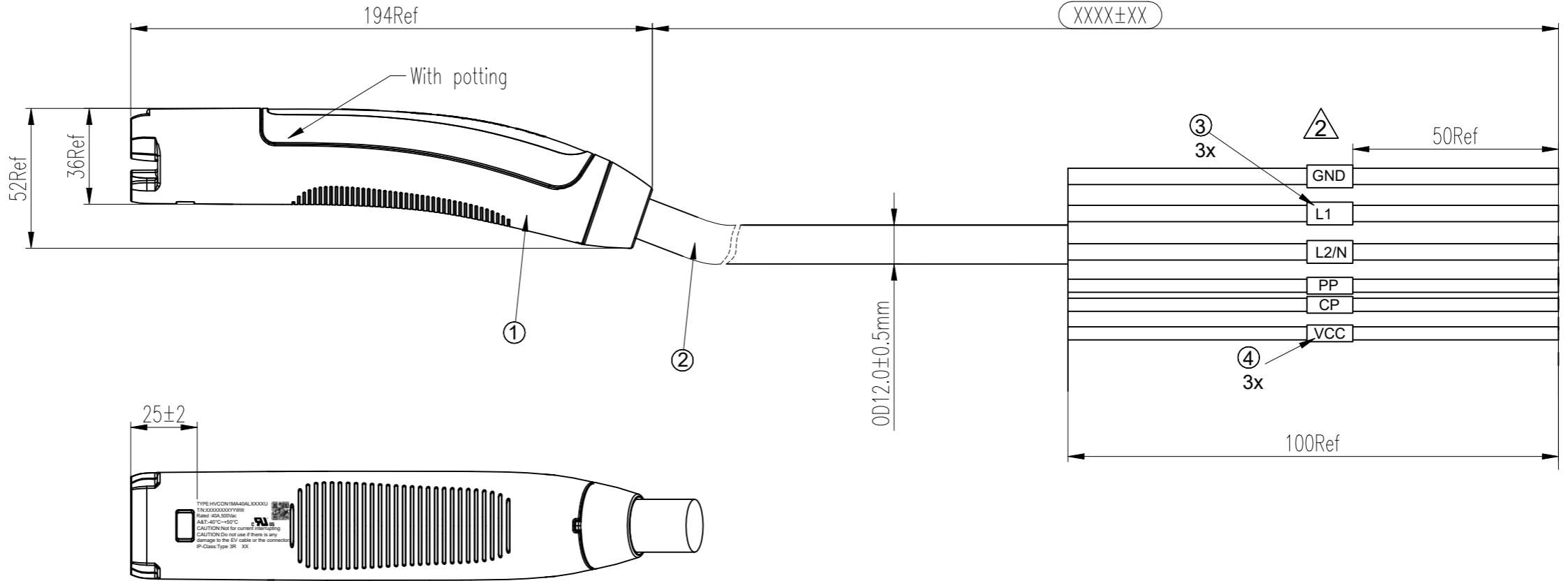
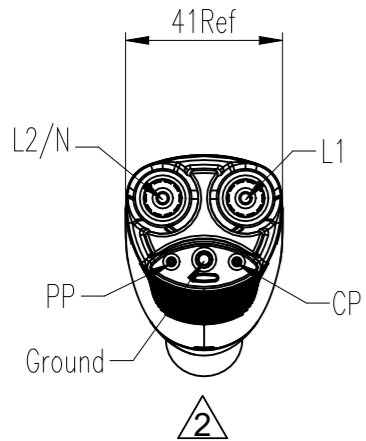
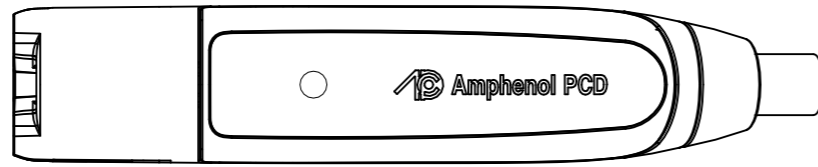
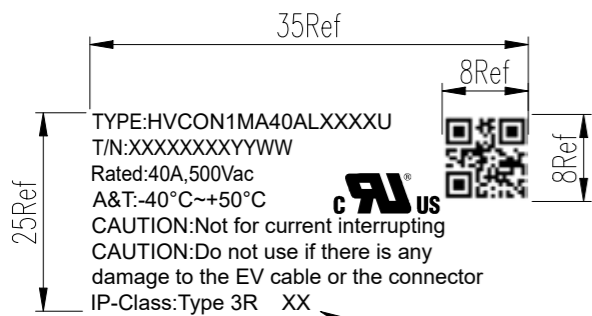


REV	ECN	DESCRIPTION	DATE	MODIFIED
1		RELEASE	Oct-23-2023	
2	R8158W	CHANGE 1000V TO 500V & 3S TO 3R	Jun-03-2024	

Amphenol PCD
ORIGINAL
PDF Format
R&D



LASER MARKING



QR code,
Content including:Part number
#Work order number
Serial number ex:0001
(ex:HVCON1MA40ALXXXXU#XXXXXX#0001)

CN:Made in China
MX:Made in Mexico
US:Made in US

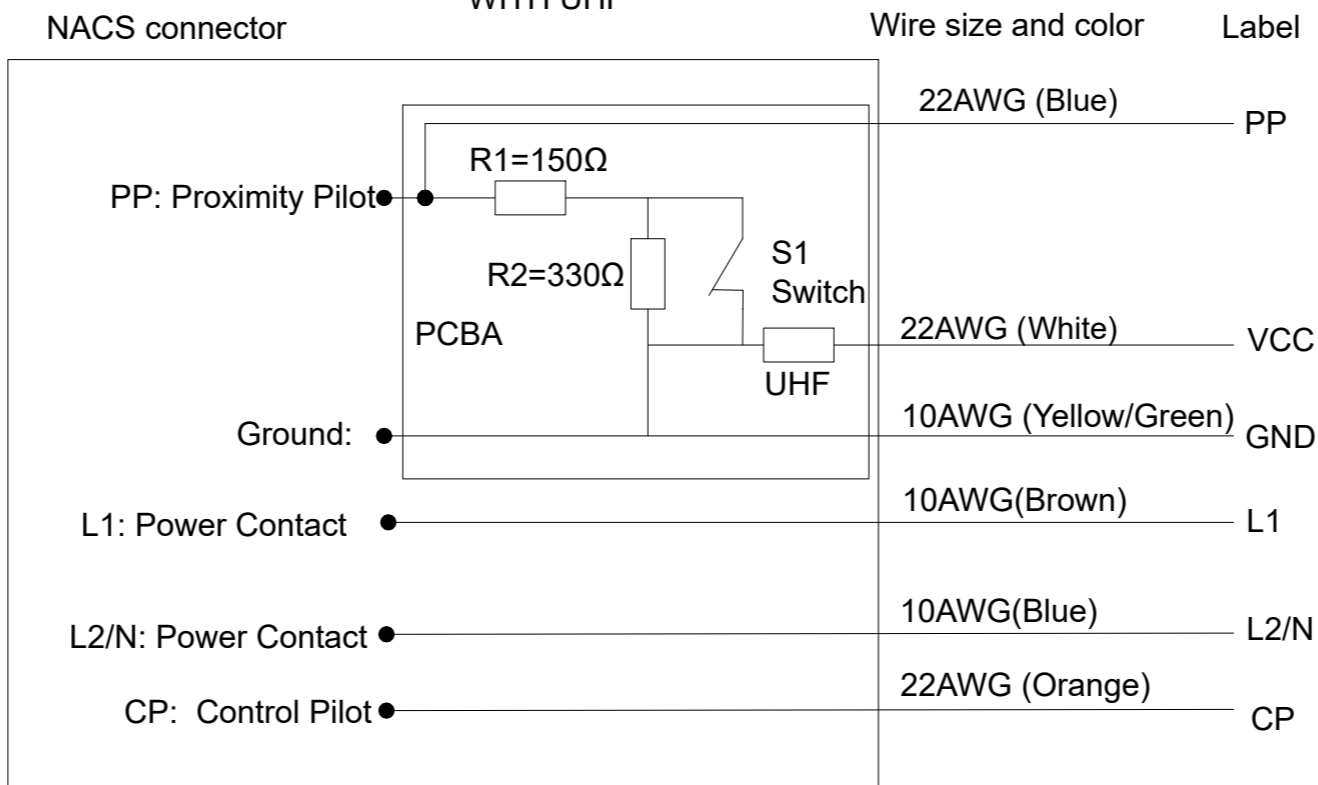
T/N:XXXXXXXXYYWW
Work order number + batch number+year+Week
Font: Arial

DIMENSIONS	TOLERANCES	PROJECTION	TITLE		
ANSI Y14.5M UNITS: MM CAD FILE	.X ± 0.50 .XX ± 0.05 ANGLES ± 2°		NACS AC 40A VEHICLE CONNECTOR WITH UHF CABLE ASSEMBLY		
ORIGINAL	THIS DOCUMENT CONTAINS PROPRIETARY INFORMATION WHICH IS THE CONFIDENTIAL PROPERTY OF Amphenol PCD Shenzhen Co. Ltd Amphenol PCD Shenzhen Co. Ltd RESERVES THE RIGHT TO CLARIFY THIS DRAWING		Amphenol PCD Shenzhen		ENGR
			Oct-23-2023		CHKD
			APPD	SIZE A3	DWG NO. C-HVCON1MA40ALXXXXU
				SCALE 1:2	REV 2
				SHEET 1 OF 2	

C-HVCON1MA40ALXXXXU

C-HVCON1MA40ALXXXXU

AC Mode of Connection
WITH UHF



*Notes:

1. Cable assembly data:

- ✦ Rated Voltage: 500V AC(L1&L2/N),30V DC(CP&PP);
- ✦ Rated Current: 40A Max(L1&L2/N)
2A Max(CP&PP);

✦ Insulation Resistance: 100MΩ Min(1000V DC FOR L1&L2/N,500V DC for others)

✦ Withstand Voltage: 3000V/AC r.m.s(L1&L2/N); Others 500V/AC r.m.s

✦ IP-Class: IP67(Enclosure);Type 3R(Plugged in)

✦ RoHS Compliance

© Durability: ≥ 10,000 cycles

2. Ambient Temperature: -40°C~+50°C(+55°C max,Current reduction required, when the working temperature is beyond 90°C)

3.NACS Plug reference: C-HVCON1MXXXAXL0000X

4.Cable Minimum Bending Radius: 5 OD @Fixed installation, 9 OD@Free movement or Under mechanical load

5.Weight of Cable: app 266g/m

6.VCC:3.3-12V;<100mA;UHF:315MHZ

7.Standard:UL2251;TS-0023666;J3400

8.Cable Length Tolerance:

Total Length	Tolerance
0~1000mm	±50
1001~5000mm	±100
>5000mm	±200

④	P05B000002	SINGLE-WALL H.S.T: Ø2.5 WHITE	0.06	m
③	P05B000006	SINGLE-WALL H.S.T: Ø6.0 WHITE	0.06	m
②	P01BC00276	3C 10AWG +3C 22AWG BLACK OD=12.0±0.5	AR	m
①	HVCON1MA40A	NACS 40A VEHICLE CONNECTOR	1	EA
ITEM	P/N	DESCRIPTION	QTY	UNIT

SIZE	DWG NO.	REV
A3	C-HVCON1MA40ALXXXXU	2
SCALE	NA	SHEET 2 OF 2