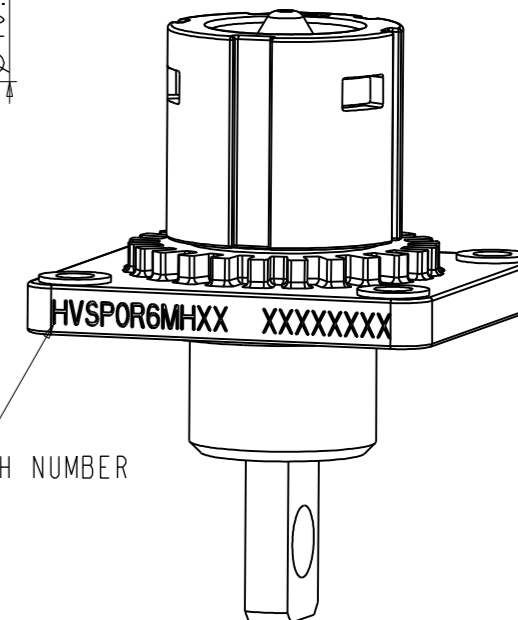
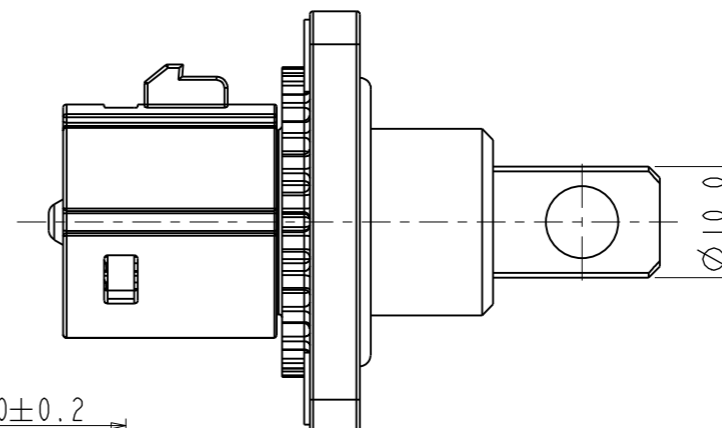
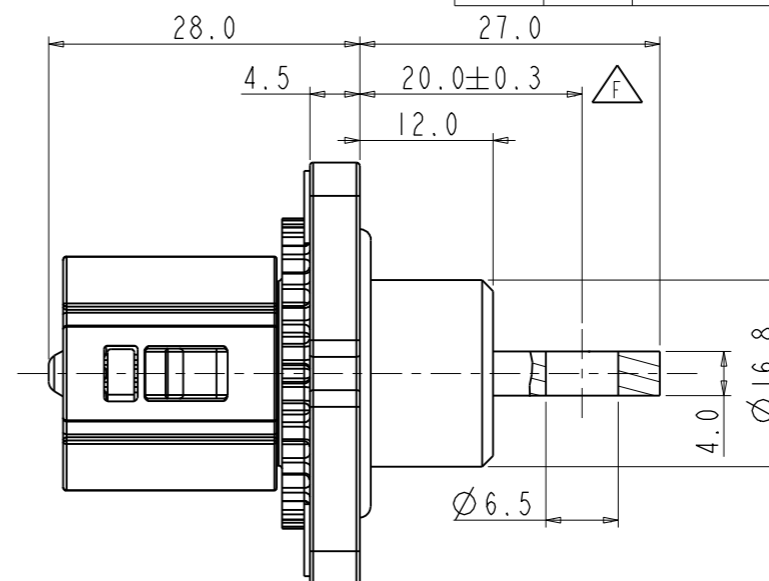
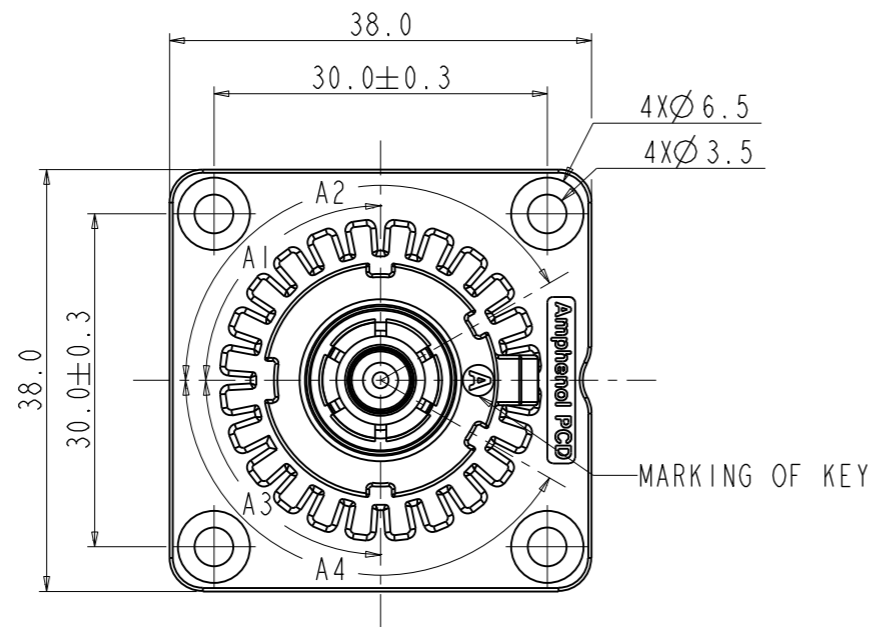


REV	ECN	DESCRIPTION	DATE	MODIFIED
A		FIRST RELEASE	Nov-12-2015	.
B	C2917	INCREASE THE SPECIFICATIONS	Mar-07-2016	
C		CHANGE THE TERMINAL STRUCTURE	Feb-10-2017	
D	C3211N	CHANGE THE SCREW TERMINAL	Apr-16-2019	
E	R4066N	ADJUST THE TORQUE	Feb-24-2020	
F	C5995N	ADJUSTMENG TOLERANCE	Dec-08-2021	



PRINTING CONTENT:  
P/N +LOT NUMBER+ BATCH NUMBER

NOTE:  
1.FLANGE MATCHING SCREW IS M3 SUGGEST THE LOCKING TORQUE IS 0.6N.m  
2.CONTACT MATCHING SCREW IS M6X1.0 SUGGEST THE LOCKING TORQUE IS 6N.m  
3.PART NUMBER DESCRIPTION:

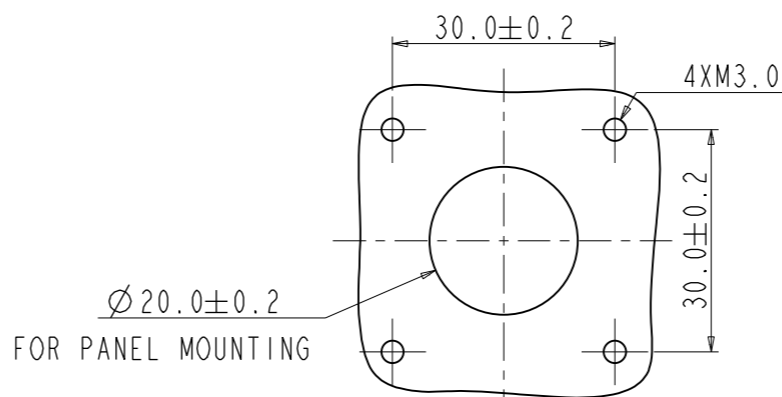
HVSPOR6MH X X

KEY OF CODING OPTION

COLOR OF CODING OPTION

PART NO.	A1	A2	A3	A4
A	90°	150°	90°	150°
B	90°	120°	90°	120°
C	120°	150°	120°	150°
D	120°	150°	90°	150°
E	90°	150°	120°	150°

N/A=ORANGE  
B=BLACK



PANEL CUT-OUT REFERENCE

TECHNICAL DATA		REMARK
CURRENT RATE(25MM <sup>2</sup> CABLE)	UP TO 120A	+
RATING VOLTAGE (OVERVOLTAGE CATEGORY II POLLUTION DEGREE 2)	1500V DC	+ $\triangle$
OPERATING TEMPERATURE	-40~125°C	
DIELECTRIC WITHSTANDING VOLTAGE	4000V AC(RAMS)	+ $\triangle$
INSULATION RESISTANCE	200M $\Omega$ MIN. 25 C, NO CABLE	+
DURABILITY	50 CYCLES	$\odot$
SHIELDING	NO	
WATERPROOF(MATED CONDITION)	IP 67	+
AMBIENT TEMPERATURE	-40~70°C	
PROTECTION LEVEL	IP2XB	+
RoHS&REACH	YES	+

DIMENSIONS	TOLERANCES	PROJECTION	TITLE		
ANSI Y14.5M UNITS: MM Pro/E FILE	X $\pm 0.5$ XX $\pm 0.05$ ANGLES $\pm 2^\circ$		Amphenol PCD Shenzhen		
			ENGR Nov-20-2015		
ORIGINAL	THIS DOCUMENT CONTAINS PROPRIETARY INFORMATION WHICH IS THE CONFIDENTIAL PROPERTY OF Amphenol PCD Shenzhen Co. Ltd Amphenol PCD Shenzhen Co. Ltd RESERVES THE RIGHT TO CLARIFY THIS DRAWING	CHKD	SIZE	DWG NO.	REV
		APPD	A3	C-HVSPOR6MHXX	F
			CODE: 58982	SCALE: 2:1	SHEET 1 OF 1

C-HVSPOR6MHXX

C-HVSPOR6MHXX