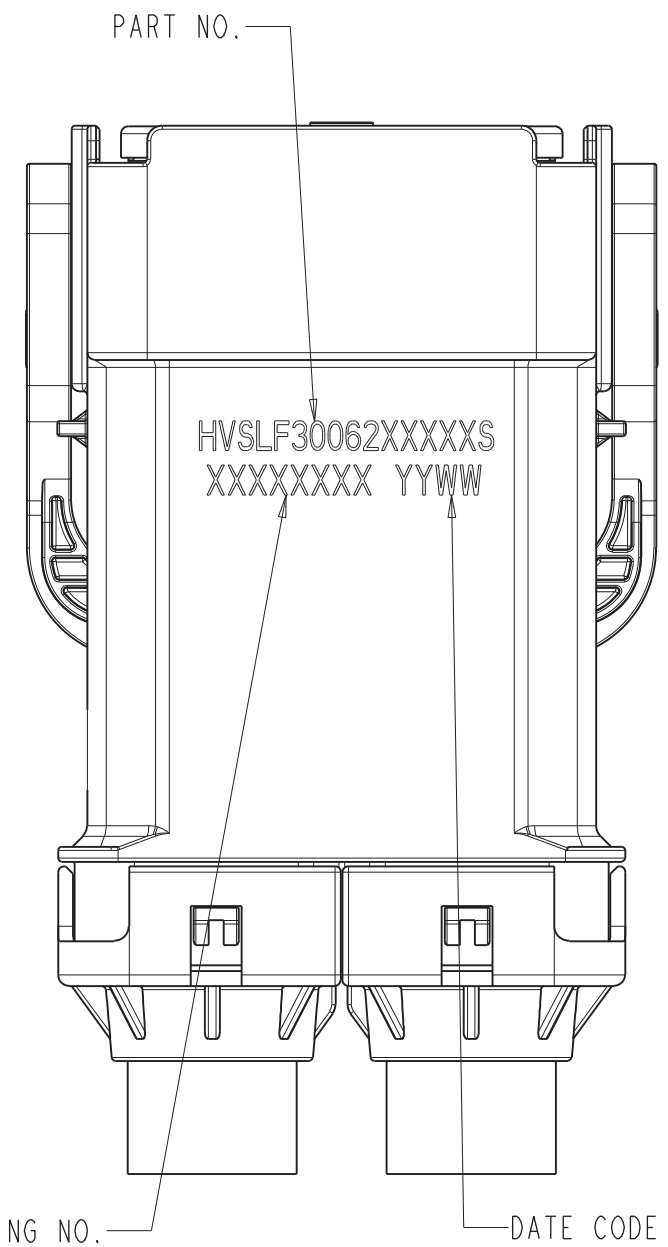
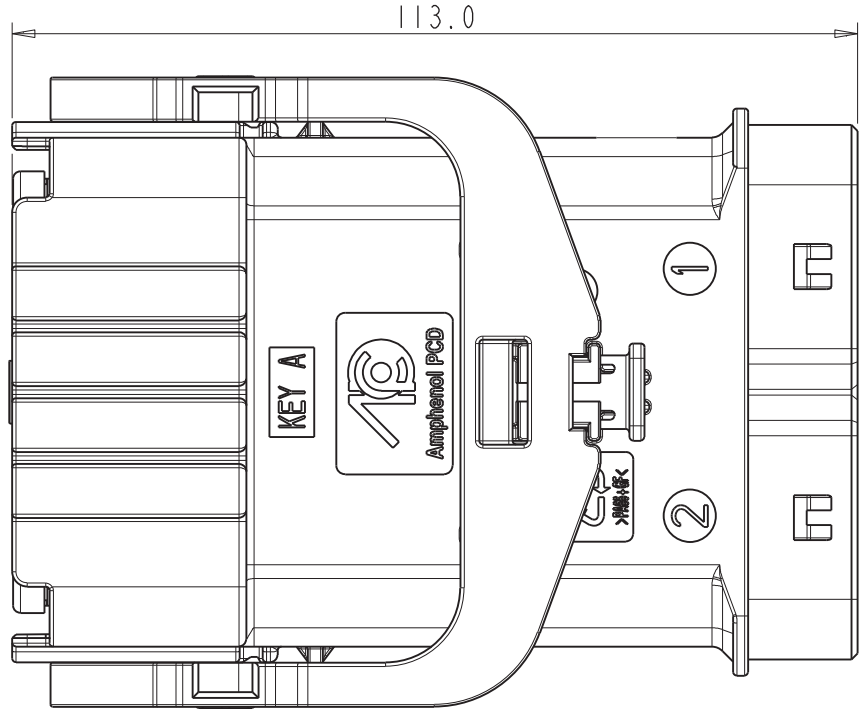
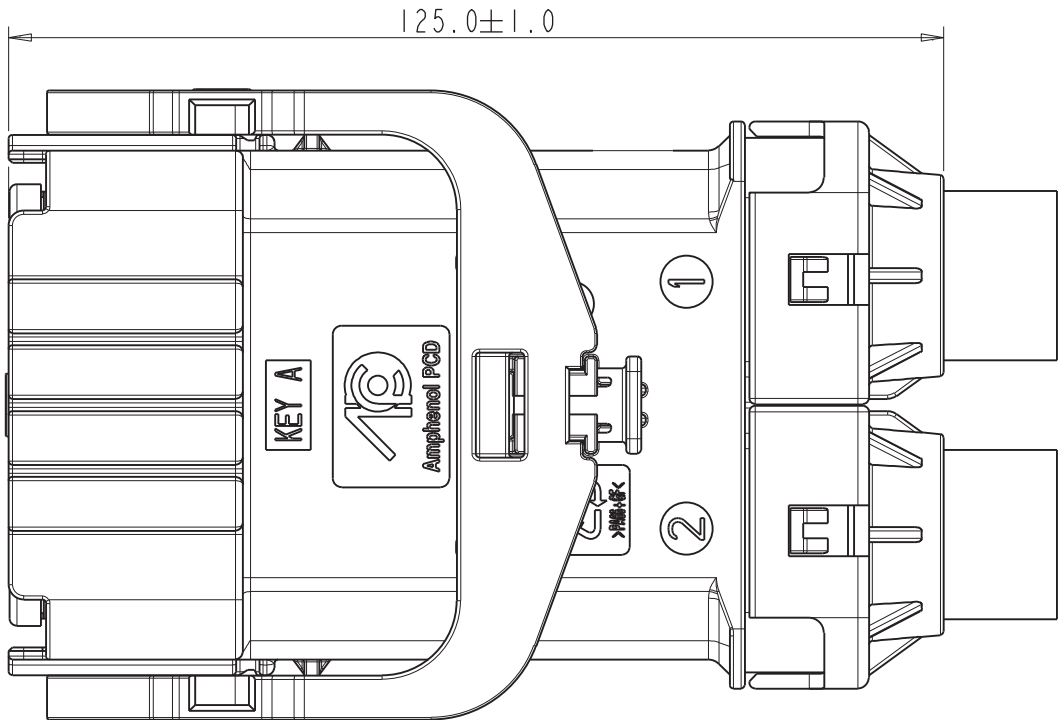
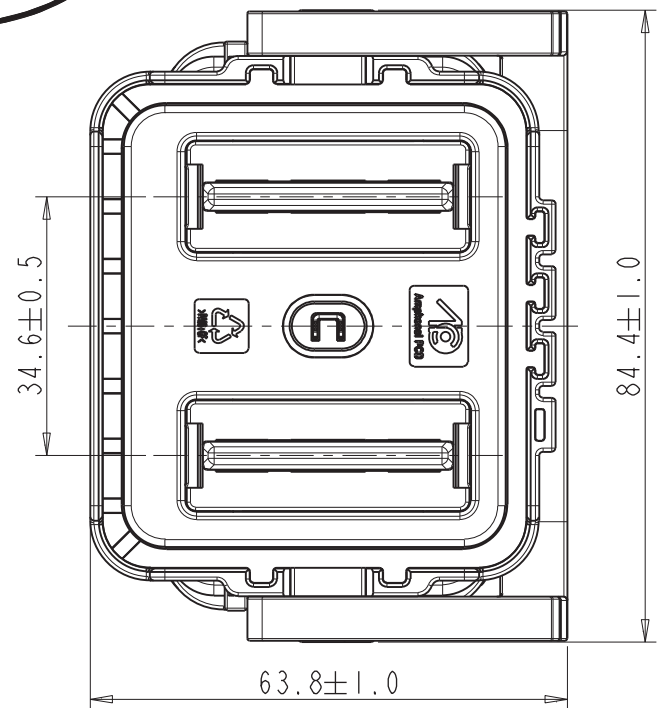


REV	ECN	DESCRIPTION	DATE	MODIFIED
1		PRE- RELEASE	Nov-13-2024	

Amphenol PCD SZ
ORIGINAL
PDF Format
R&D

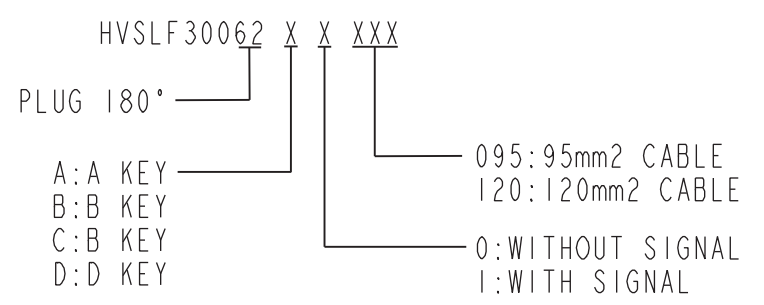


C_HVSLF30062XXXXX

TECHNICAL DATA

CURRENT RATE 95MM ² WIRE	350A	+
CURRENT RATE 120MM ² WIRE	430A	+
SIGNAL CURRENT	5A MAX	+
VOLTAGE RATE	POWER:1000V DC	+
OPERRATING TEMPERATURE	-40-125°C	NA
DIELECTRIC WITHSTANDING VOLTAGE	POWER:3000V AC	+
	SIGNAL:660V AC	
INSULATION RESISTANCE	>100MΩ	+
DURABILITY	50 CYCLES	⊙
SHIELDING	YES	NA
WATERPROOF (MATED CONDITION)	IP67 IP6K9K	+
UNMATED CONDITION	IP2XB	+
CORROSION-PROFF GRADE(SALT FOG TEST)	96 HOURS	NA
AMBIENT TEMPERATURE	-40-70°C	NA
95mm ² CABLE SIZE(JACKET DIAMETER)	∅16.9±0.5	NA
120mm ² CABLE SIZE(JACKET DIAMETER)	∅19±0.5	NA

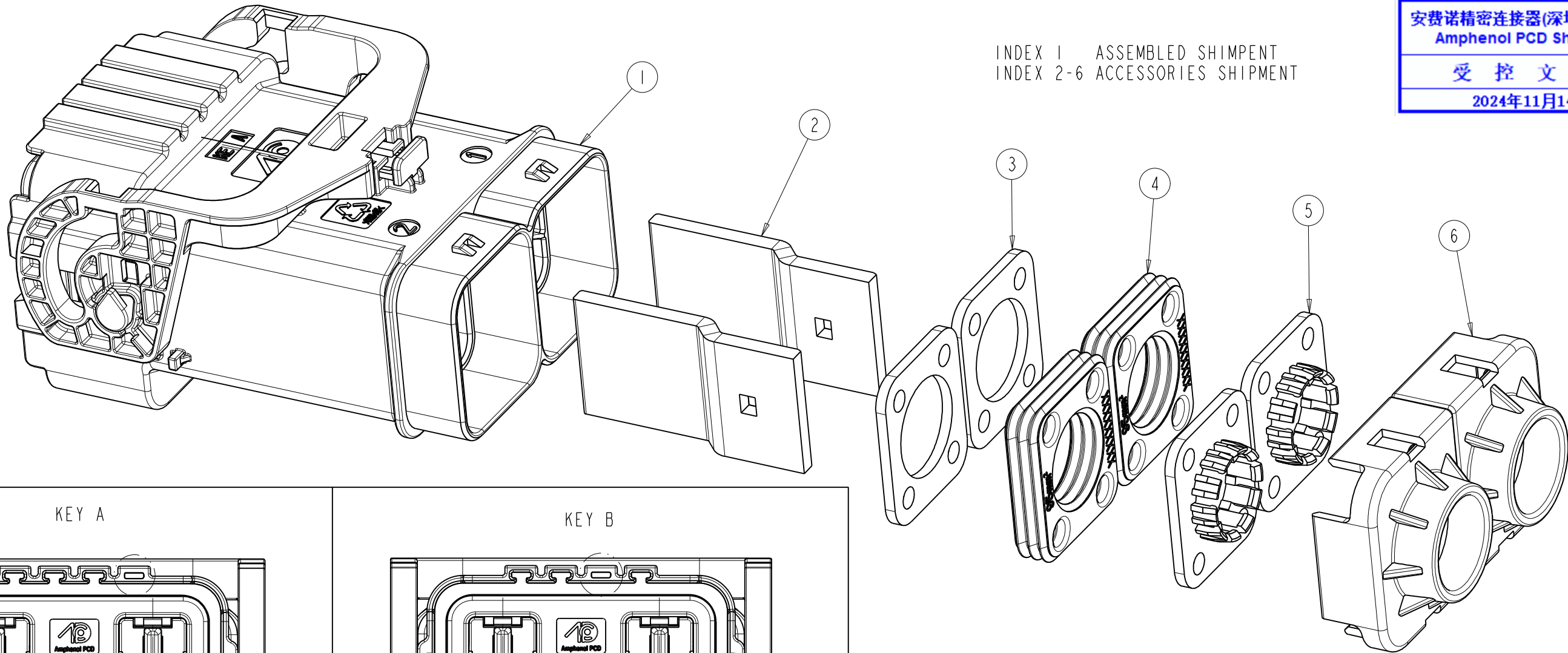
+ CRITICAL CHARACTERISTICS 关键特性
⊙ IMPORTANT CHARACTERISTICS 重要特性



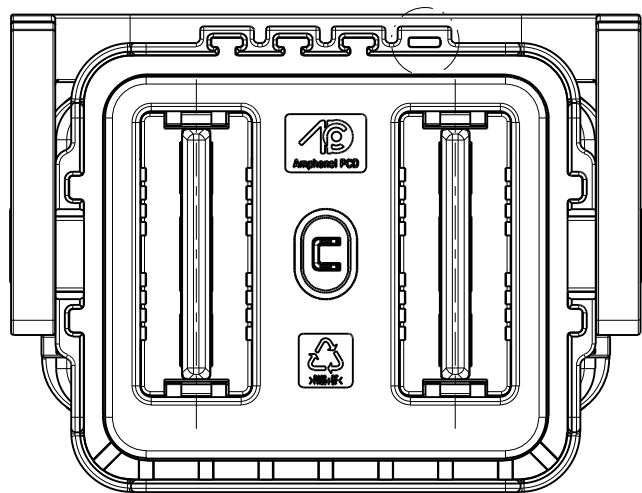
DIMENSIONS	TOLERANCES	PROJECTION	TITLE		
ANSI Y14.5M UNITS: MM Pro/E FILE	.X ±0.5 .XX ±0.05 ANGLES ±2°		HVSLF300 SERIES PLUG 180° 350-430A UNSHIELDED		
ORIGINAL	THIS DOCUMENT CONTAINS PROPRIETARY INFORMATION WHICH IS THE CONFIDENTIAL PROPERTY OF Amphenol PCD Shenzhen Co. Ltd Amphenol PCD Shenzhen Co. Ltd RESERVES THE RIGHT TO CLARIFY THIS DRAWING	ENGR CHKD APPD	Nov-13-2024	SIZE A3	DWG NO. C_HVSLF30062XXXXX
			REV 1	SCALE: 1:1	SHEET 1 OF 2

C_HVSLF30062XXXXX

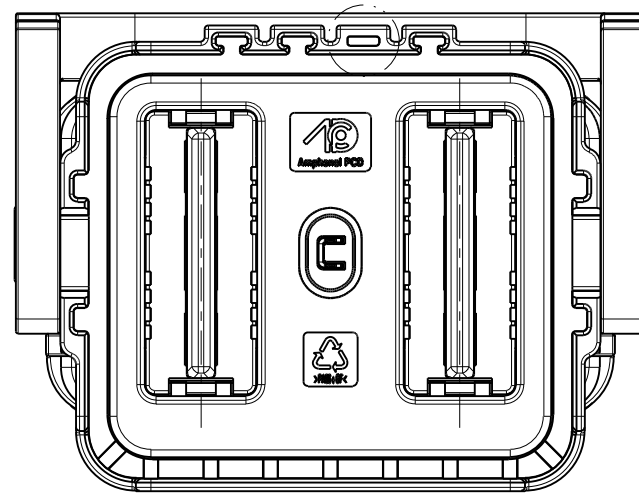
INDEX 1 ASSEMBLED SHIPMENT
INDEX 2-6 ACCESSORIES SHIPMENT



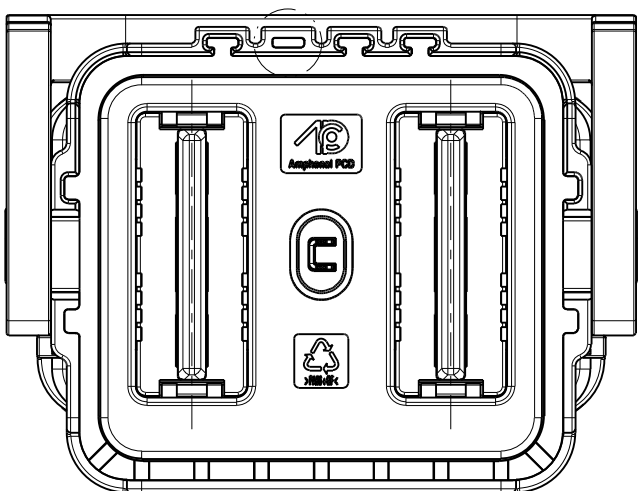
KEY A



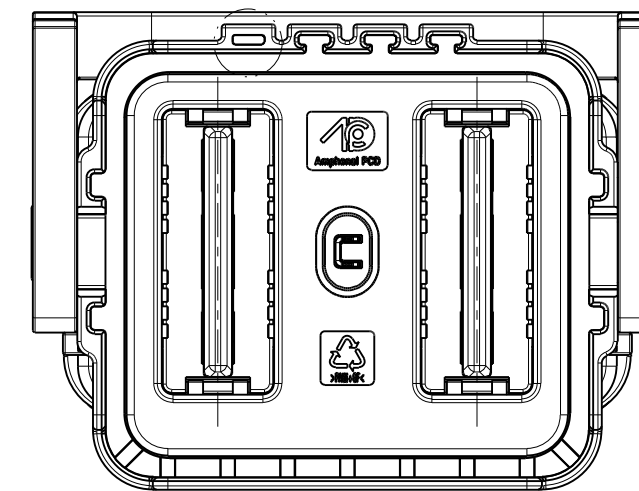
KEY B



KEY C



KEY D



6	P01BP01157XX	END CAP XX=(03,04)	2	03: 95mm ² CABLE 04: 120mm ² CABLE
5	P01BP01215XX	WIRE CLAMP XX=(01,02)	2	01: 95mm ² CABLE 02: 120mm ² CABLE
4	P01BR01112XX	CABLE SEAL XX=(03,04)	2	03: 95mm ² CABLE 04: 120mm ² CABLE
3	P01BP01214	BAFFLE	2	
2	P01BS00583	POWER CONTACT	2	
1	HVSLF30062XY	PLUG BODY X=(A,B,C,D)KEY Y=(0,1)	1	0: WITHOUT SIGNAL 1: WITH SIGNAL
INDEX	P/N	DESCRIPTION	QTY	NOTE

SIZE	DWG NO.	REV
A3	C_HVSLF30062XXXXX	1
SCALE: 1:1		SHEET 2 OF 2

C_HVSLF30062XXXXX

C_HVSLF30062XXXXX