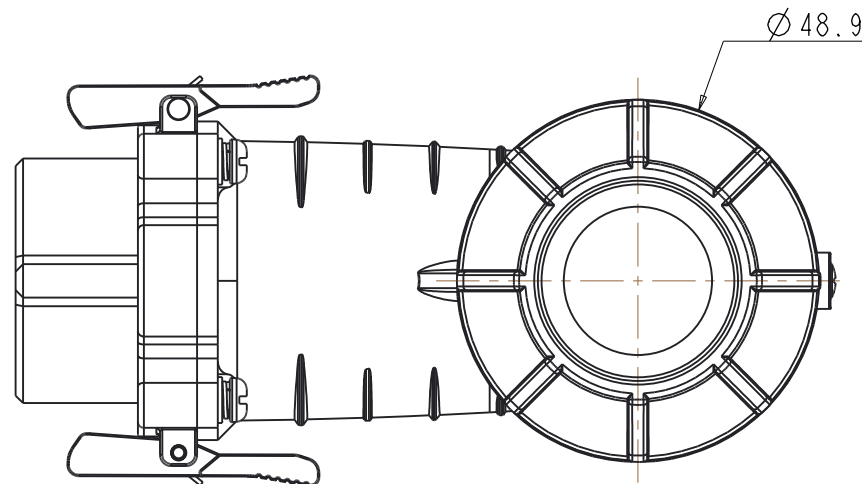
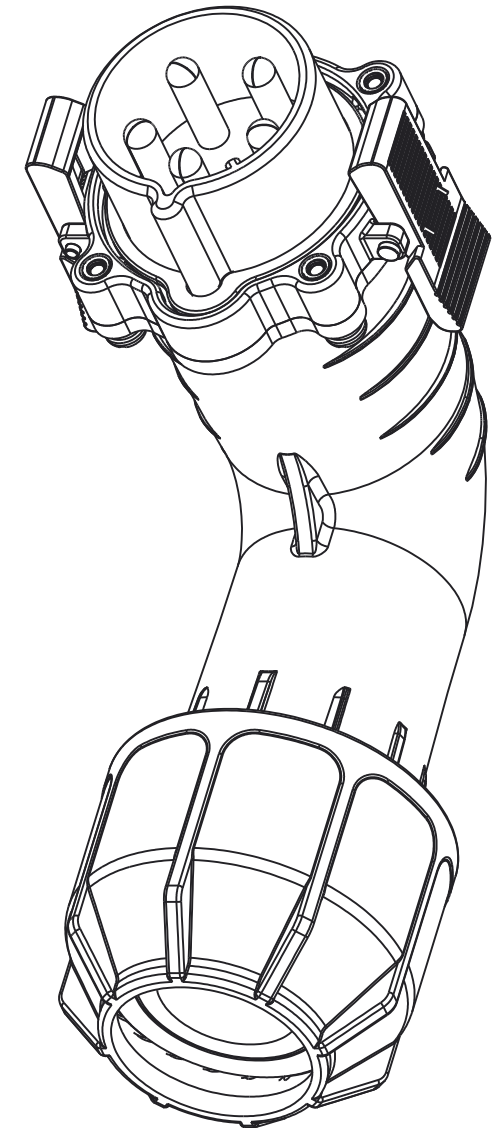
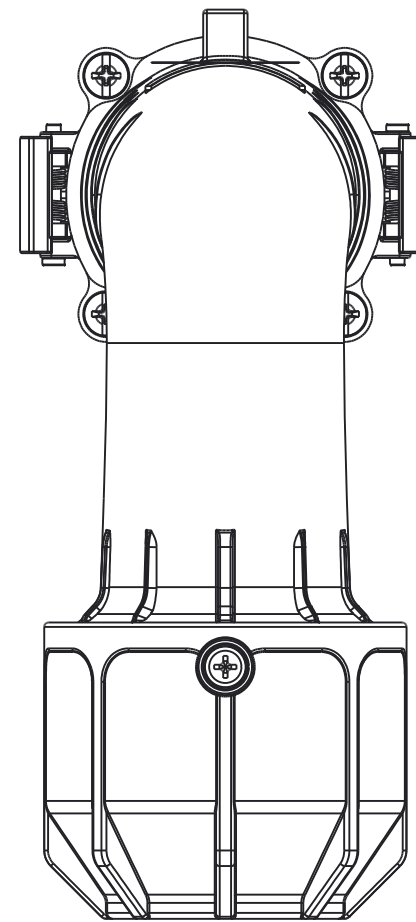
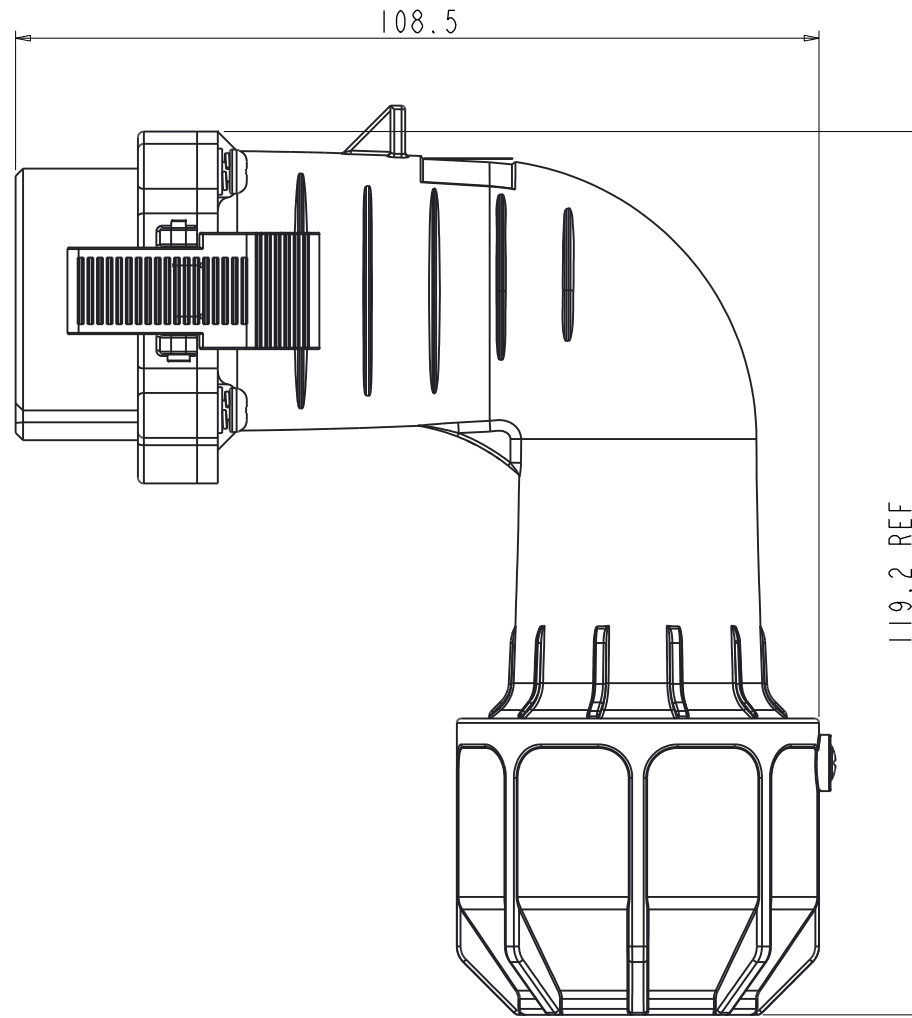
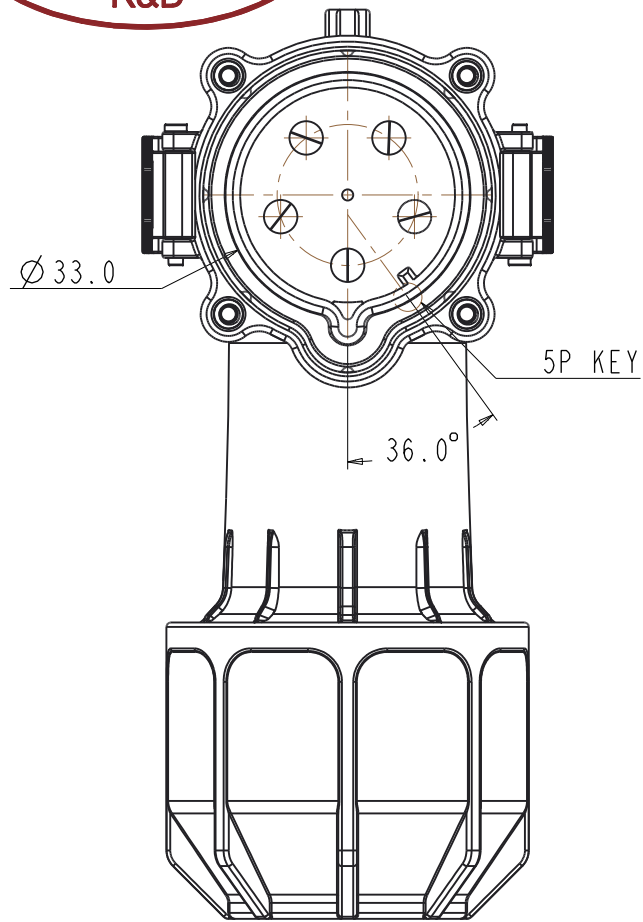


REV	ECN	DESCRIPTION	DATE	MODIFIED
VO-4		PRE-RELEASE	Jul-16-20	

Amphenol PCD SZ
ORIGINAL
PDF Format
R&D



- NOTES:
- MATERIALS:
HOUSING: PBT/PA
CONTACT: COPPER (CONTACT SHOULD BE ORDERED SEPARATELY).
 - ELECTRICAL CHARACTERISTICS:
CURRENT RATING: 50A
VOLTAGE RATING: 480V
WITHSTAND VOLTAGE: 2000V/MIN.
INSULATION RESISTANCE: 500MΩ.
 - OPERATING TEMPERATURE RANGE: -40°C TO +105°C.
 - EXTERNAL DIAMETER OF THE CABLE: $\phi 22.0 \pm 1\text{mm}$
 - MATING CYCLES: 200 TIMES MAX.
 - WATERPROOF: IP44 (MATED CONDITION).
 - RoHS COMPLIANCE.

CPC052300.C

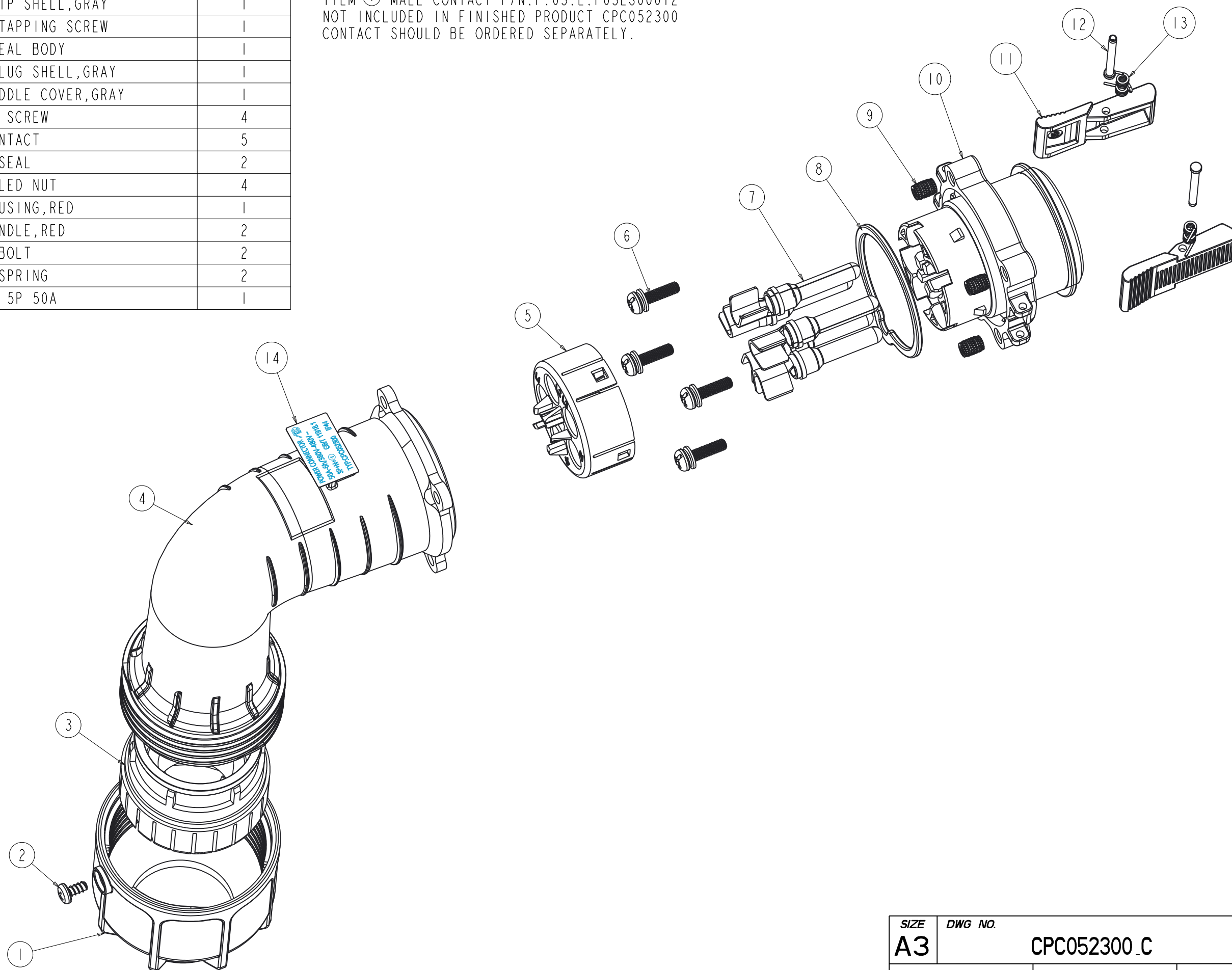
CPC052300.C

DIMENSIONS	TOLERANCES	PROJECTION	TITLE		
ANSI Y14.5M UNITS: MM Pro/E FILE	X ±0.5 .XX ±0.05 ANGLES ±2°		Amphenol PCD Shenzhen		
ORIGINAL	THIS DOCUMENT CONTAINS PROPRIETARY INFORMATION WHICH IS THE CONFIDENTIAL PROPERTY OF Amphenol PCD Shenzhen Co. Ltd. Amphenol PCD Shenzhen Co. Ltd RESERVES THE RIGHT TO CLARIFY THIS DRAWING	ENGR	Jul-03-20		POWER PLUG CONNECTOR ELBOW, 50A, 5P
		CHKD	APPD	SIZE A3	DWG NO. CPC052300.C
				REV VO-4	CODE: 58982 SCALE: 1:1 SHEET 1 OF 3

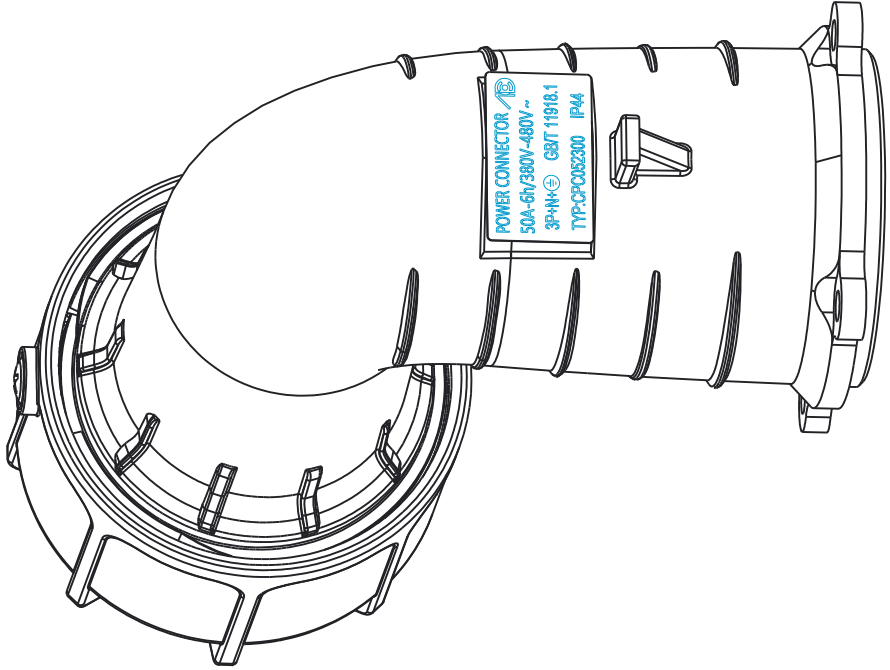
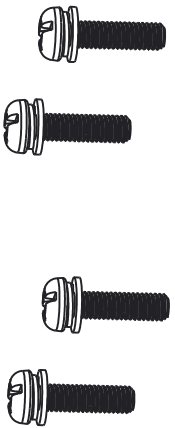
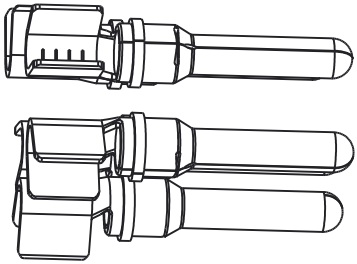
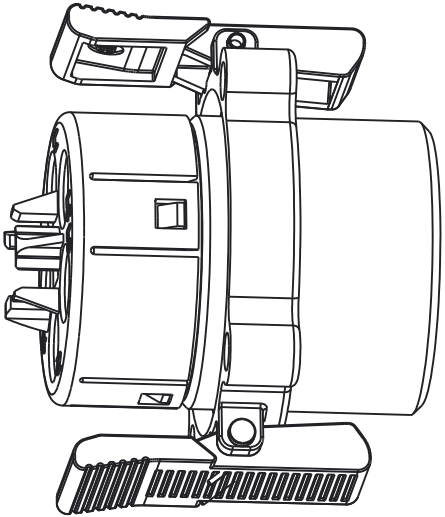
ITEM NO.	DESCRIPTION	QTY
1	WIRE CLIP SHELL,GRAY	1
2	ST 2.9 TAPPING SCREW	1
3	CABLE SEAL BODY	1
4	ELBOW PLUG SHELL,GRAY	1
5	PLUG MIDDLE COVER,GRAY	1
6	M3 SEMS SCREW	4
7	MALE CONTACT	5
8	RUBBER SEAL	2
9	M3 KNURLED NUT	4
10	PLUG HOUSING,RED	1
11	PLUG HANDLE,RED	2
12	HANDLE BOLT	2
13	HANDLE SPRING	2
14	LAB FOR 5P 50A	1

NOTES:

ITEM ⑦ MALE CONTACT P/N:P.03.E.P03ES00012
 NOT INCLUDED IN FINISHED PRODUCT CPC052300
 CONTACT SHOULD BE ORDERED SEPARATELY.



SIZE	DWG NO.	REV
A3	CPC052300.C	VO-4
CODE: 58982	SCALE: 1:1	SHEET 2 OF 3

A	B	C	D
ITEM ①②③④ ASSEMBLED TOGETHER	ITEM ⑥ PACKING 4PCS SCREWS WITH PLASTIC BAGS	ITEM ⑦ CONTACT P/N:P.03.E.P03ES00012 NOT INCLUDED IN FINISHED PRODUCT CPC052200	ITEM ⑤⑧⑨⑩⑪⑫⑬ ASSEMBLED TOGETHER
			
	NOTES: INSTALLATION TORQUE 5-6 kgf.cm .	NOTES: CONTACT SHOULD BE ORDERED SEPARATELY	

CPC052300.C

CPC052300.C

SIZE	DWG NO.	REV
A3	CPC052300.C	VO-4
CODE: 58982	SCALE: 6:5	SHEET 3 OF 3