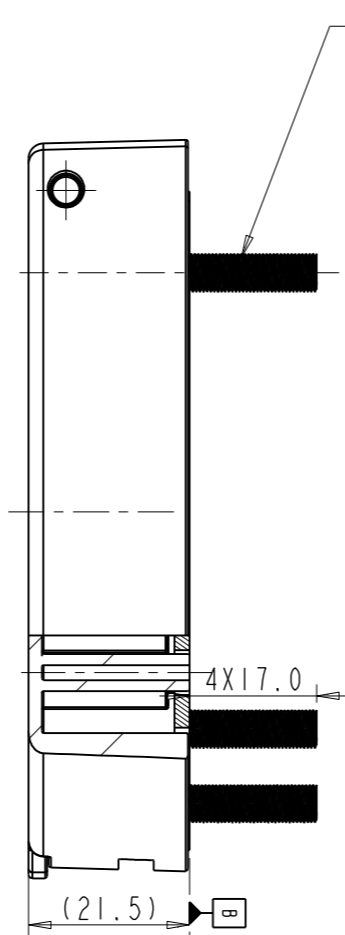
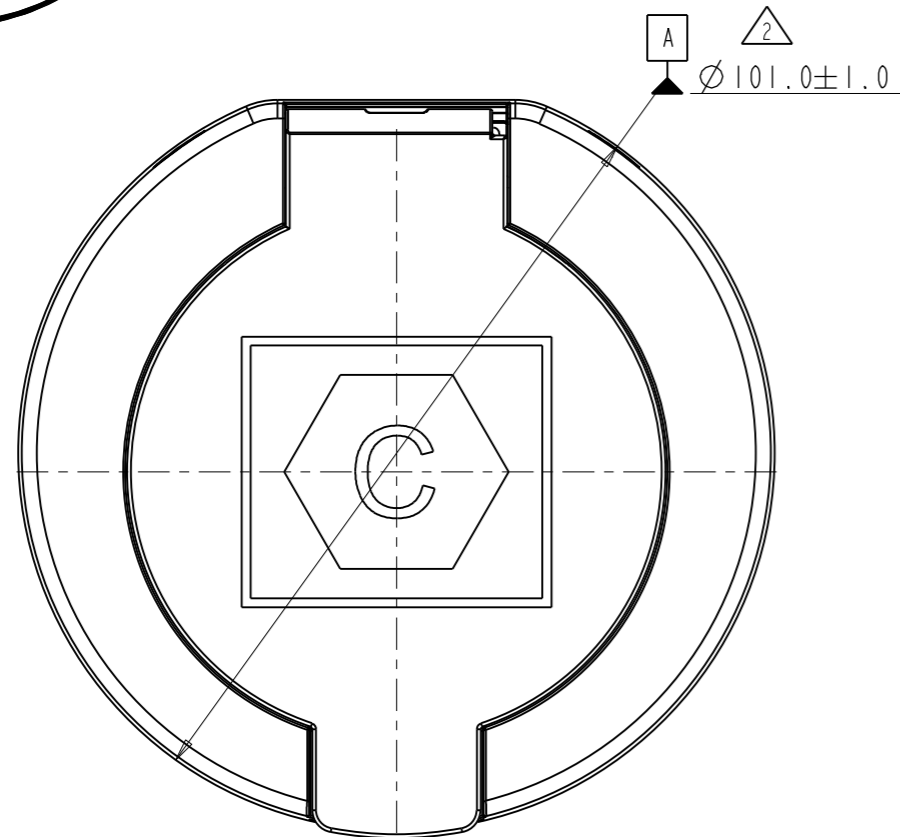


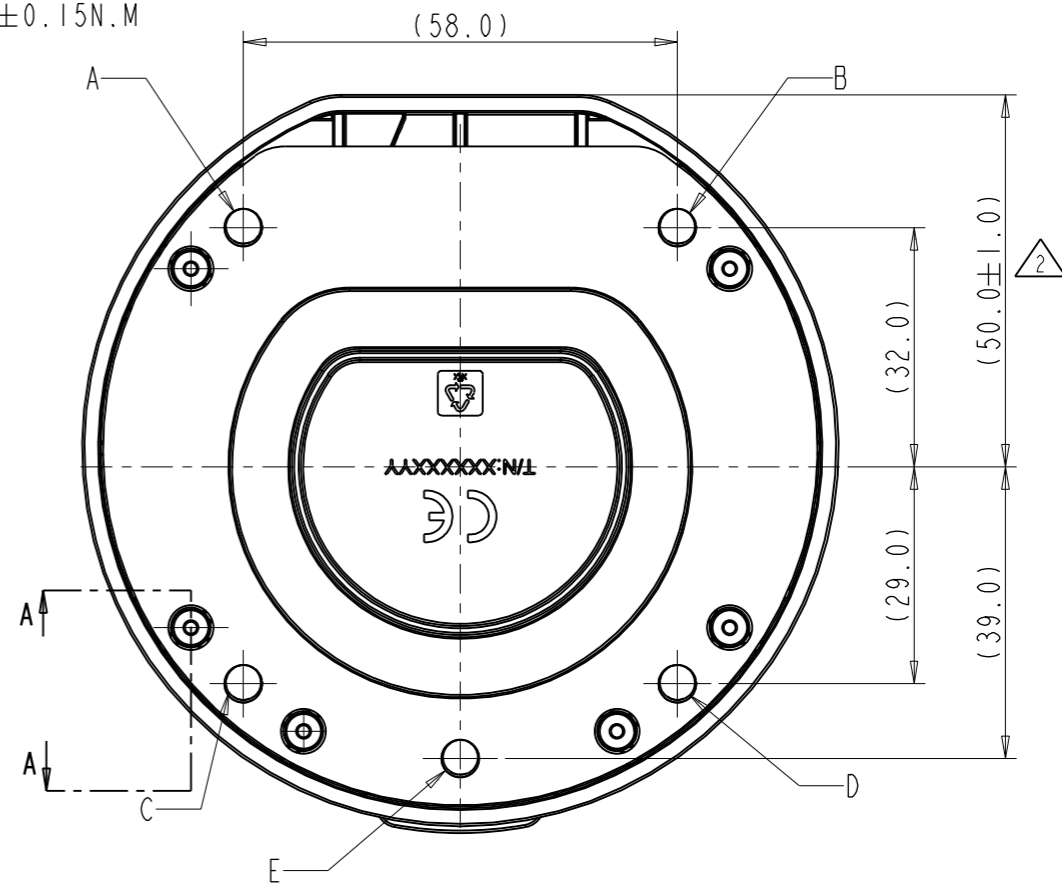
C-HVCOISLIDXCXX

4	R7368	ADD SPECS AND NOTES	△4	Sep-13-23	Kane.Gao	REV	ECN	DESCRIPTION	DATE	MODIFIED
						1		PRE-RELEASE	Sep-28-22	
						2	R7131W	DIMENSIONS UPDATED, CERTIFICATION MARK ADDED △2	May-22-23	
						3	R7257W	UPDATE LOGO PRINTING METHOD △3	Jul-11-23	

Amphenol PCDSZ
ORIGINAL
PDF Format
R&D

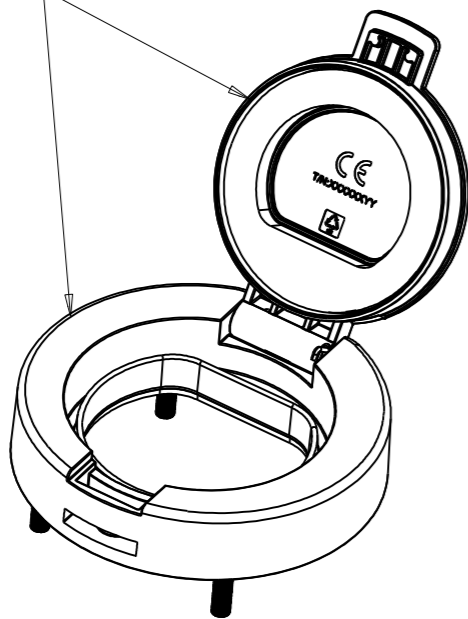


截面 A-A



4	HVCOISLID3C02	M5	M5	NA	NA	M5
3	HVCOISLID3C01					
2	HVCOISLID4C03	M5	M5	M5	M5	NA
1	HVCOISLID4C01					
ITEM	P/N	A	B	C	D	E

RECOMMENDED OPENING
ANGLE 120°

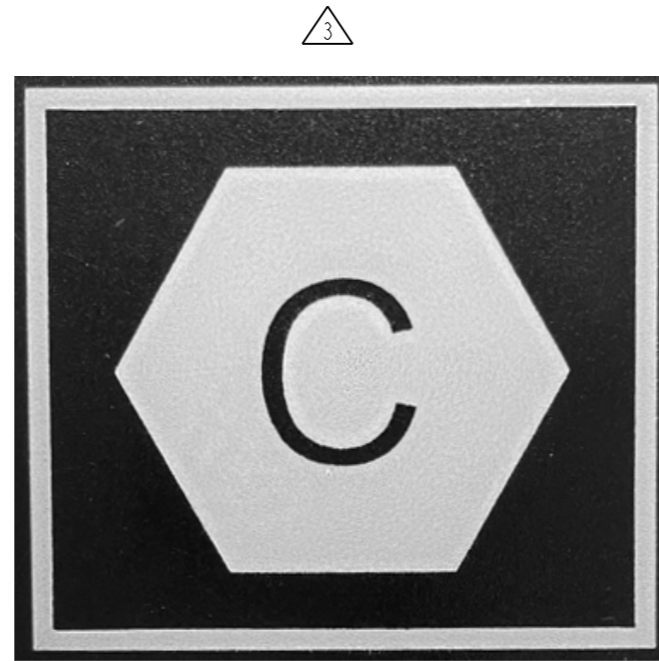
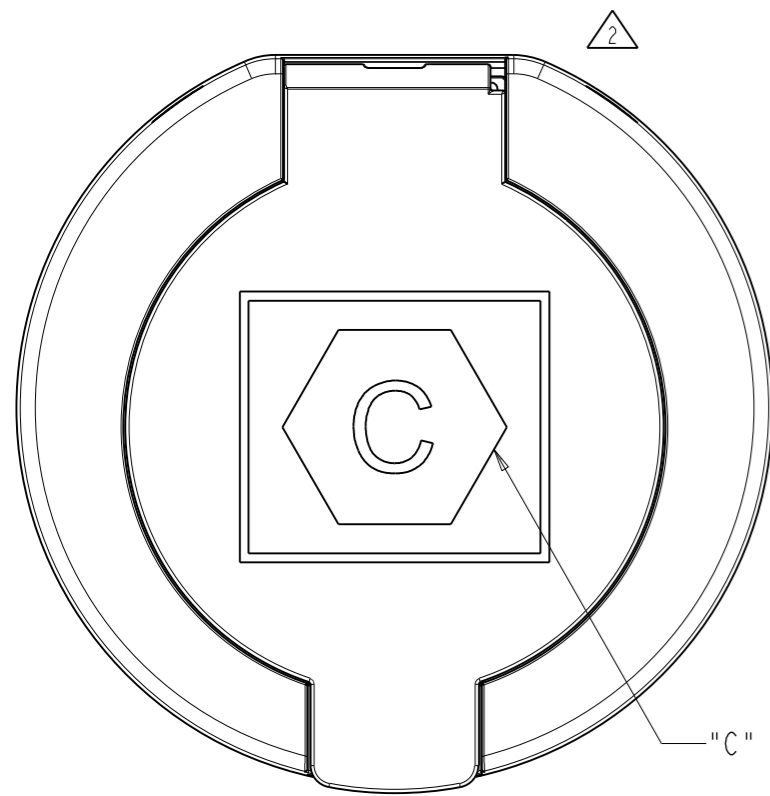


- NOTES:
- COLOR: BLACK.
 - AMBIENT TEMPERATURE: -30°C~50°C.
 - IP RATING: IP55.
 - ROHS COMPLIANCE.
 - DURABILITY 10000 CYCLES.
 - ROHS COMPLIANCE.
 - PANEL OPENING SIZE: WHEN SUITABLE FOR SOCKETS WITH SERIAL NUMBERS P02B000235, P02B000306, THE OPENING SIZE SHALL BE SUBJECT TO THE OPENING SIZE REQUIRED BY THE SOCKET DRAWING.

安费诺精密连接器(深圳)有限公司
Amphenol PCD Shenzhen
受控文件
2023年9月26日

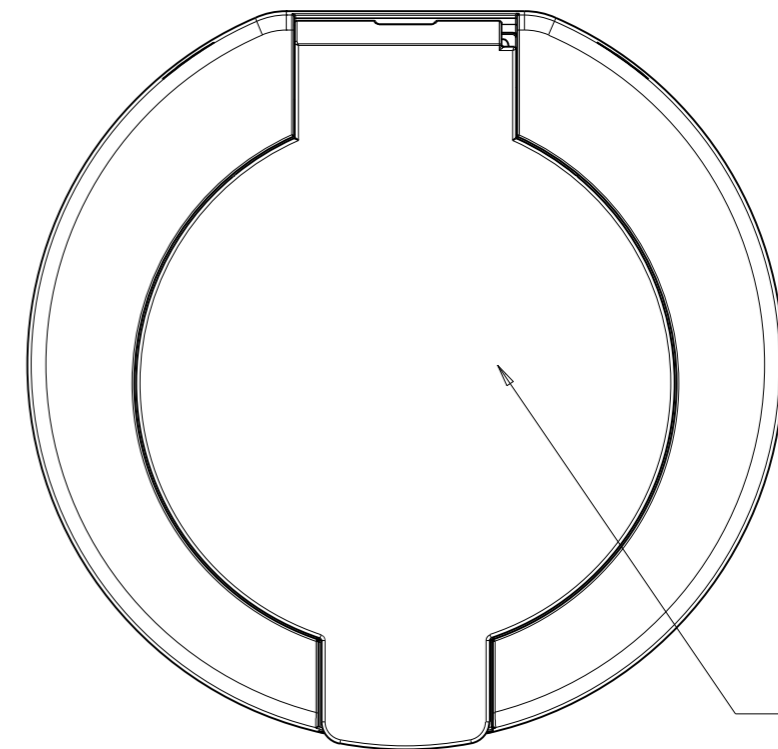
DIMENSIONS ANSI Y14.5M UNITS: MM Pro/E FILE	TOLERANCES .X ±0.5 .XX ±0.05 ANGLES ±2°	PROJECTION 	TITLE Amphenol PCD Shenzhen ENGR Sep-28-22			HINGED LID SELF- CLOSE TYPE		
			ORIGINAL	THIS DOCUMENT CONTAINS PROPRIETARY INFORMATION WHICH IS THE CONFIDENTIAL PROPERTY OF Amphenol PCD Shenzhen Co. Ltd Amphenol PCD Shenzhen Co. Ltd RESERVES THE RIGHT TO CLARIFY THIS DRAWING			SIZE A3	DWG NO. C-HVCOISLIDXCXX
			SCALE: 1:1		SHEET 1 OF 2			

SHUTTER FOR WALLBOX:
P/N:HVCOISLID3C01
HVCOISLID4C01



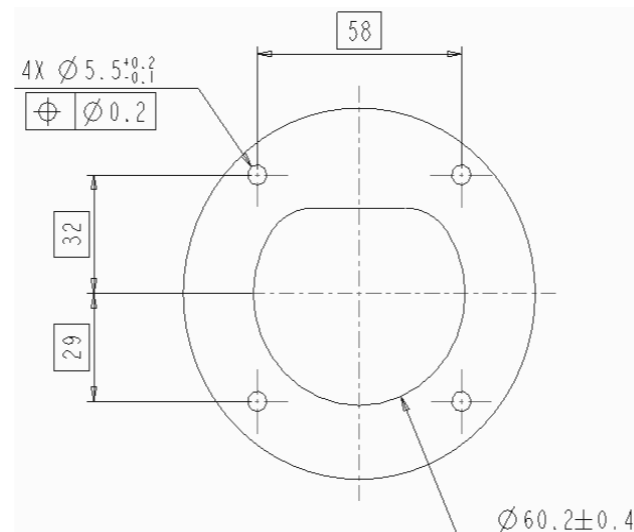
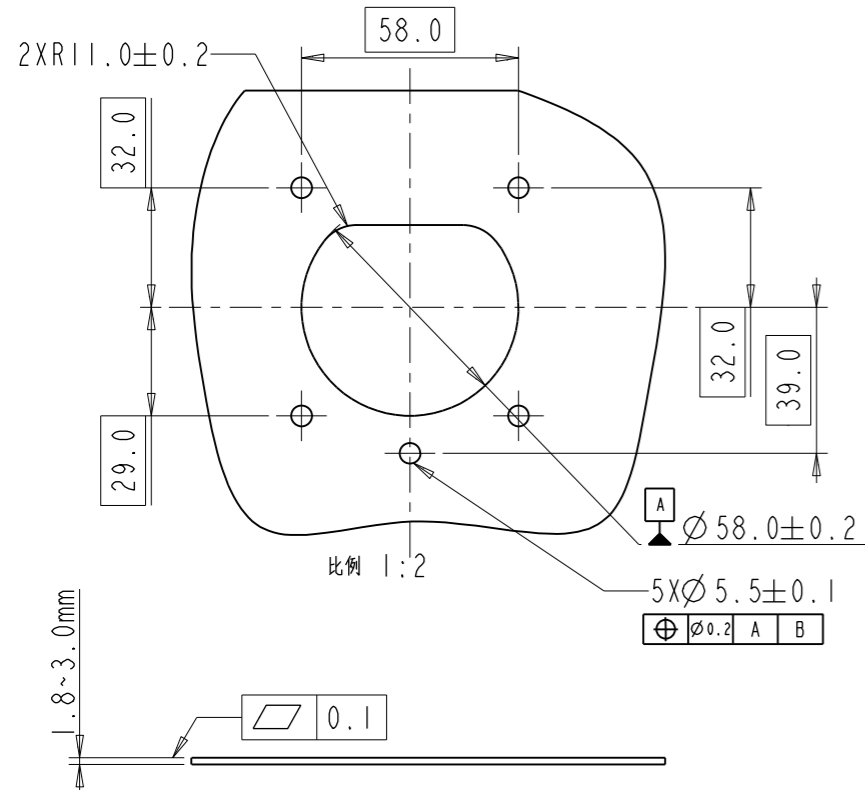
"C" MARKING DIAGRAM

EXCLUDING "C" MARK P/N:
P/N:HVCOISLID3C02
HVCOISLID4C03



C-HVCOISLIDXCXX

C-HVCOISLIDXCXX



安费诺精密连接器(深圳)有限公司
Amphenol PCD Shenzhen
受控文件
2023年9月26日

REFERENCE HOLE SIZE WHEN ADAPTING TO SOCKETS
WITH THE FOLLOWING MATERIAL NUMBERS:
P02B000235, P02B000306;
THICKNESS 1.5~3.0mm.

SIZE A3	DWG NO. C-HVCOISLIDXCXX	REV 4
SCALE: 1:1		SHEET 2 OF 2