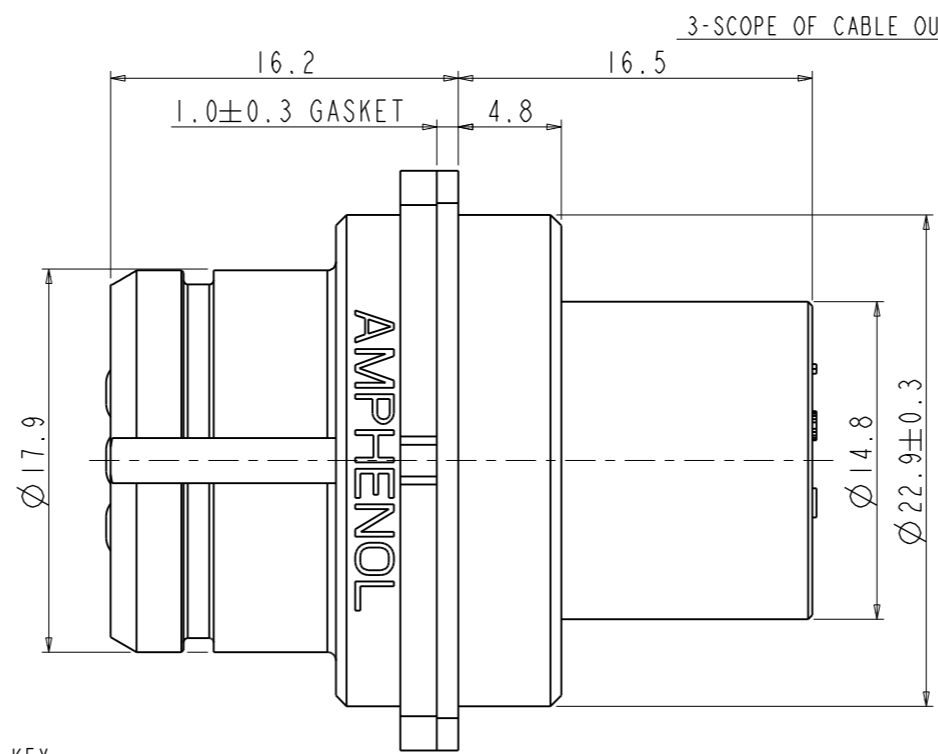
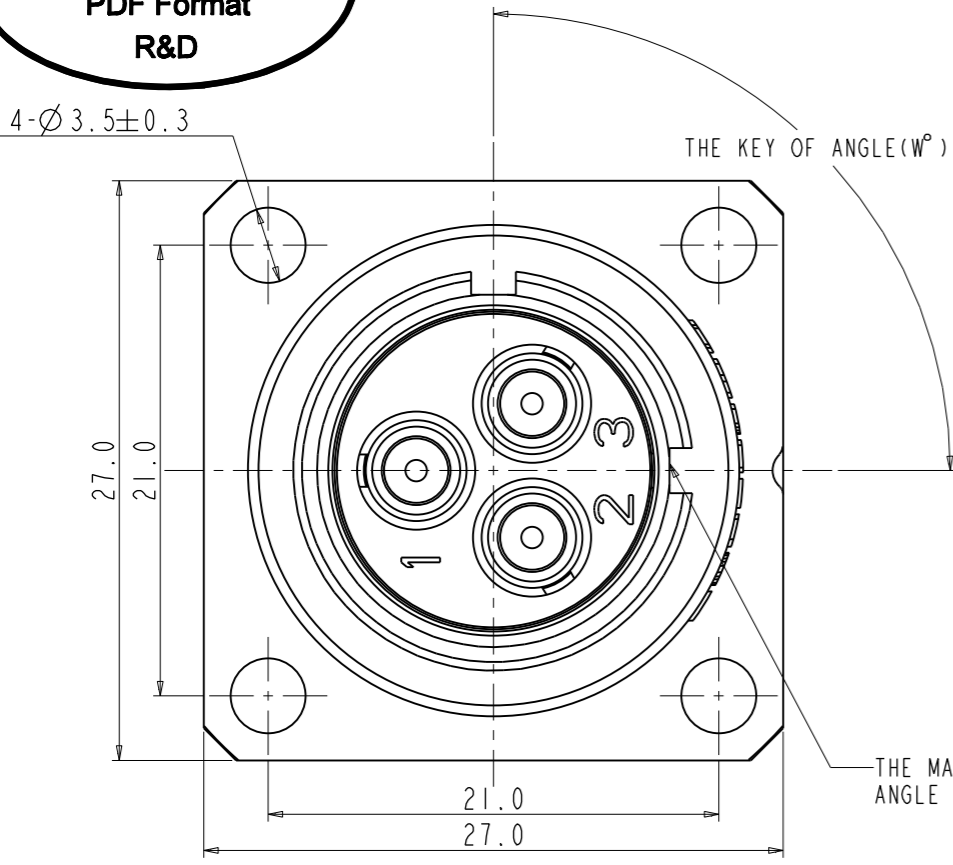
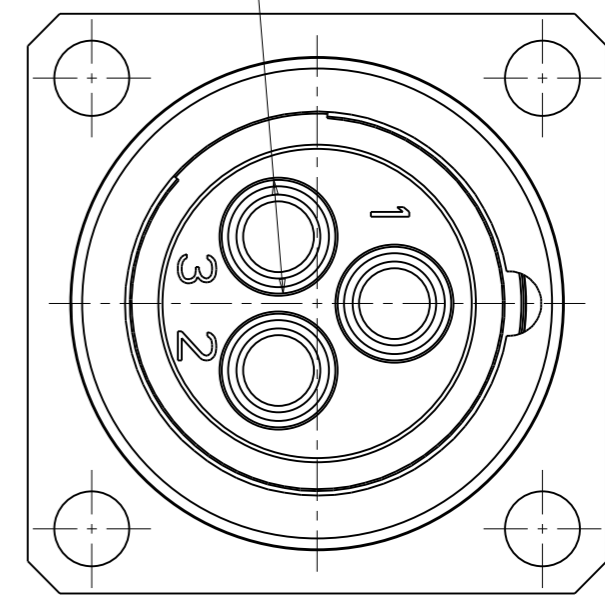


Amphenol PCDSZ
ORIGINAL
PDF Format
R&D



3-SCOPE OF CABLE OUTSIDE DIAMETER: Ø5.5 Max.



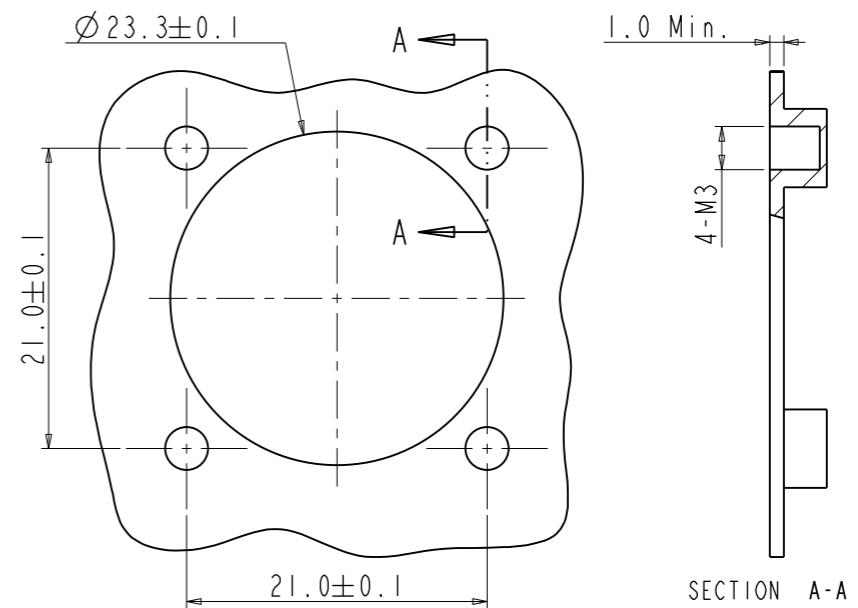
NOTE:
1. THE SCOPE OF CABLE OD Ø5.5 Max.
2. SCREW M3(DIMENTION REFER GB/T 70.1-2000)
REVALING TORQUES: 0.5 N*M
3. TECHNICAL DATA TABLE:

| | | |
|--|--------------------------------|---------|
| CURRENT RATE(2.5mm² CABLE) | 23A @ AMBIENT 70° C | + |
| CURRENT RATE(4.0mm² CABLE) | 32A @ AMBIENT 70° C | + |
| UL RATING VOLTAGE (OVERVOLTAGE CATEGORY II POLLUTION DEGREE 2) | 400V DC | + |
| OPERATING TEMPERATURE | -40~125° C | |
| DIELECTRIC WITH STANDING VOLTAGE | 2500V AC | + |
| INSULATION RESISTANCE | 2000MΩ MIN. 25° C, NO CABLE | + |
| DURABILITY | 50 CYCLES | ○ |
| SHIELDING | YES | ○ |
| WATERPRROF (MATED CONDITION) | IP 67 | + |
| AMBIENT TEMPERATURE | -40~70° C | |
| TECHNICAL DESCRIPTION | TECHNICAL DATA | FEATURE |

4. PART NUMBER DESCRIPTION:
HVS1S203MC X

KEY OF CODING OPTION
NO CODE: NO KEY& BLACK(w°=0°)
X: KEY X & RED(w°=270°)
Y: KEY Y & YELLOW(w°=315°)
Z: KEY Z & BLUE(w°=90°)
W: KEY W & GREEN(w°=45°)

| THE KEY OF ANGLE W° (CLOCKWISE DIRECTION) | |
|--|------|
| HVS1S203MC | 0° |
| HVS1S203MC X | 270° |
| HVS1S203MC Y | 315° |
| HVS1S203MC Z | 90° |
| HVS1S203MC W | 45° |



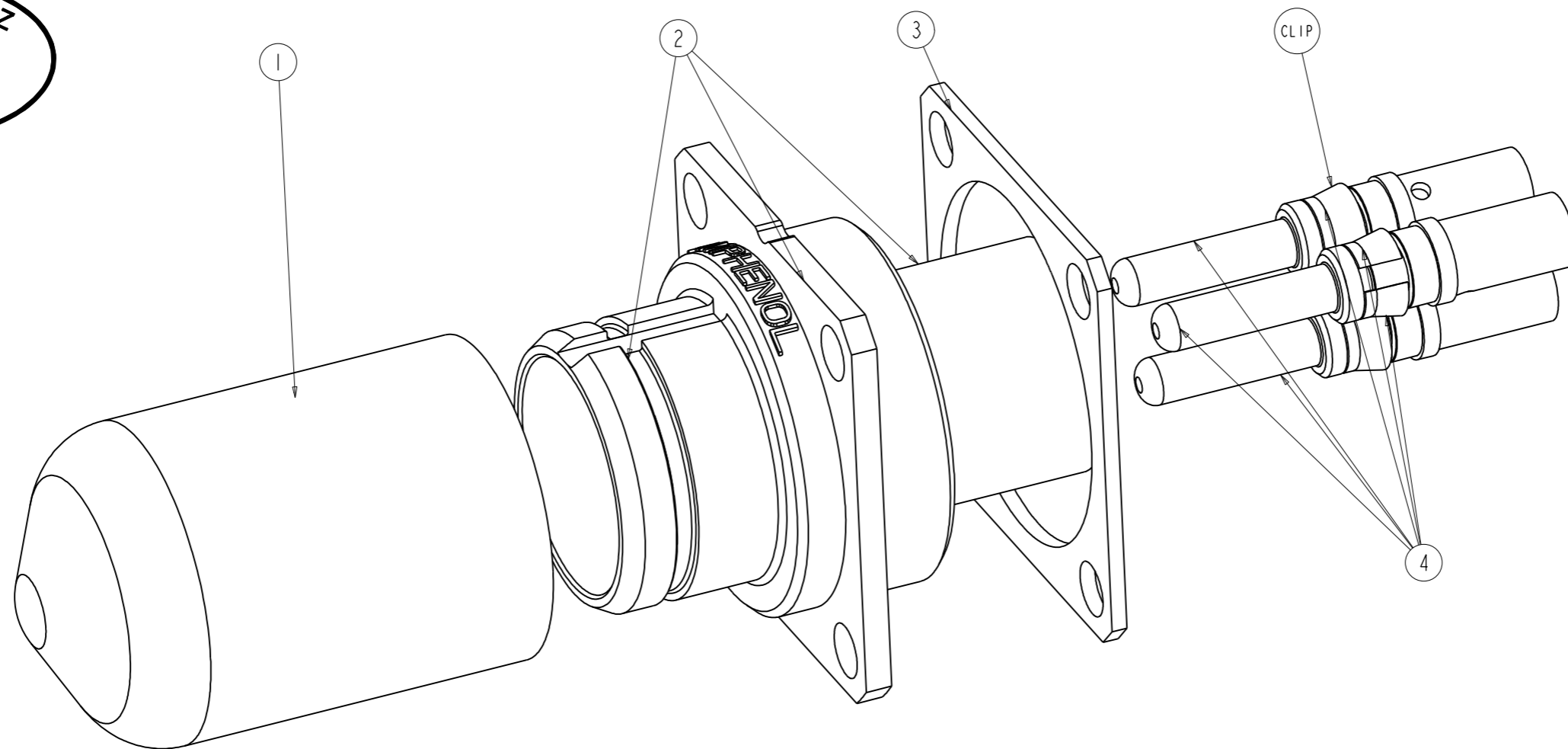
| | | | | | |
|--|---|----------------|---|--------------------------------|-----------------|
| DIMENSIONS ANSI Y14.5M UNITS: MM Pro/E FILE | TOLERANCES .X ±0.5 .XX ±0.05 ANGLES ±0.5° | PROJECTION | TITLE TRIPLEX RECEPTACLE ASSEMBLY | | |
| | | | ENGR | CHKD | APPD |
| ORIGINAL NOT FOR CUSTOMER DISTRIBUTION | THIS DOCUMENT CONTAINS PROPRIETARY INFORMATION WHICH IS THE CONFIDENTIAL PROPERTY OF AMPHENOL PCD SHENZHEN | | SIZE A3 | DWG NO. C-HVSI203MCX | REV 1 |
| | | | CODE: 58982 | SCALE: 3:1 | SHEET 1 OF 2 |

安费诺精密连接器(深圳)有限公司
Amphenol PCD Shenzhen
受控文件
2018年2月5日

C-HVSI203MCX

C-HVSI203MCX

Amphenol PCDSZ
ORIGINAL
PDF Format
R&D



安费诺精密连接器(深圳)有限公司
Amphenol PCD Shenzhen
受控文件
2018年2月5日

C-HVSI203MCX

C-HVSI203MCX

5. ASSEMBLY AND DETAIL BOM LIST SHOW

- 5.1. 将插针“组件4”压接线材(留意插针上的CLIP是否脱落)
- 5.2. 将压好线的插针插入到前端“组件2”的塑胶插芯内.(听到喀嗒声即表示插入到位)
- 5.3. 此规格图含3pcs“组件4”(插针及CLIP)

5.4.DETAIL BOM LIST

| | | | | |
|--------------|-------|---------------|----------|---|
| HVS1S203MC X | 4 | HVG30M4 | 3 | 2.5~4.0mm ² POWER PIN ϕ 3.0 |
| | 3 | C427005010 | 1 | GASKET ECTA SIZE2(13302JE) |
| | 2 | MAIN BODY | 1 | MAIN BODY |
| | 1 | C422005983 | 1 | DUST COVER |
| PART NUMBER | ITEAM | COMPONENT P/N | QUANTITY | DESCRIPTION |

| | | |
|-------------|--------------|--------------|
| SIZE | DWG NO. | REV |
| A3 | C-HVSI203MCX | 1 |
| CODE: 58982 | SCALE: 3:1 | SHEET 2 OF 2 |