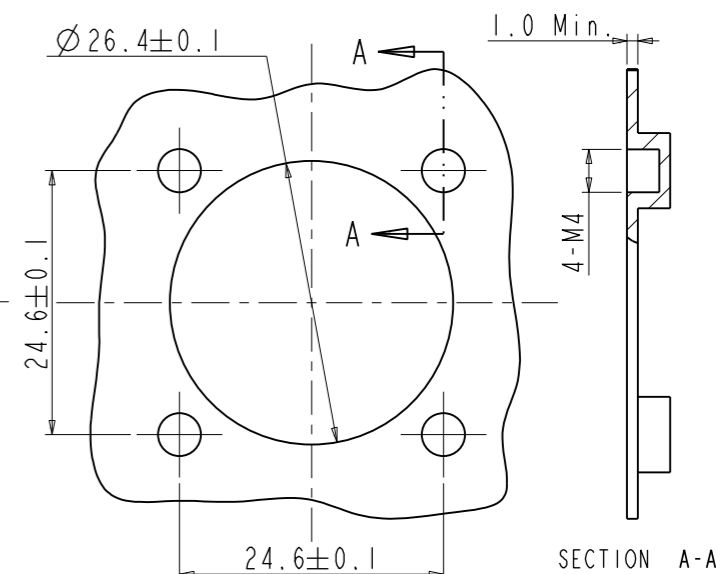
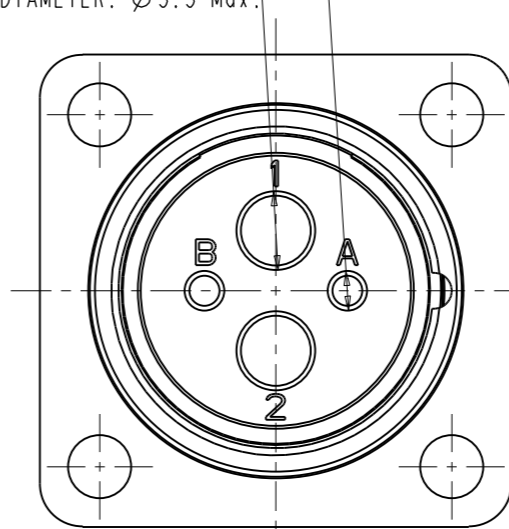
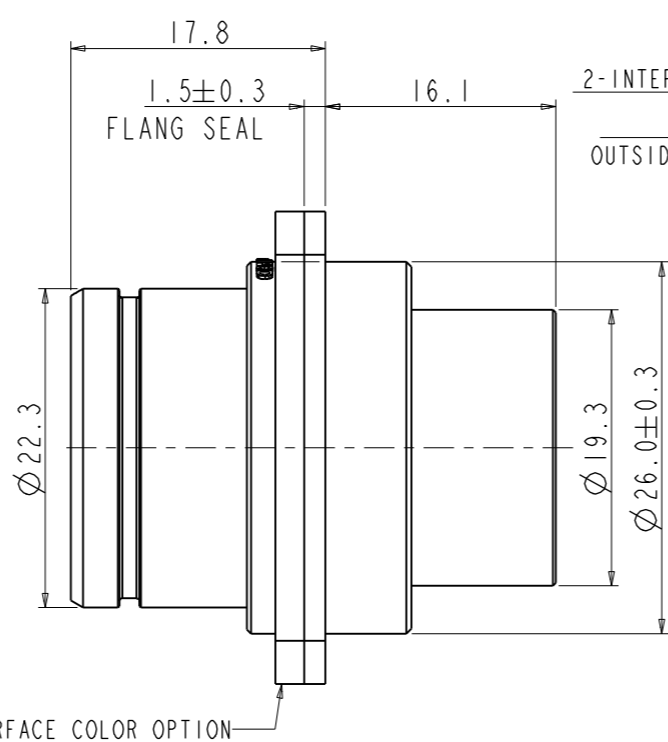
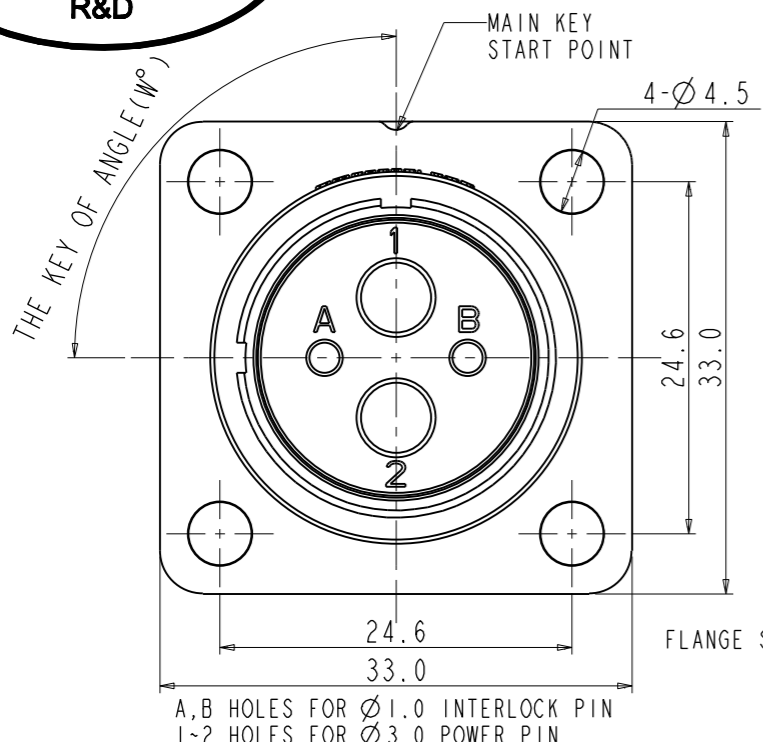


REV	ECN	DESCRIPTION	DATE	MODIFIED
1		UPDATE DRAWING	2018.01.31	

Amphenol PCD SZ  
ORIGINAL  
PDF Format  
R&D



SUGGESTION MOUNTING INTERFACE SPECIFICATION  
(MOUNTING INTERFACE SHOWN)

C-HVGIS402MCXXX

- NOTES:**
1. FINISHED PRODUCT DOES HAVE NOT THE PIN, NEED TO BUY SEPARATE.
  2. THE POWER PIN P/N FOR 4MM<sup>2</sup> CABLE: HVG30M4, USE LEVEL: 2PCS  
THE POWER PIN P/N FOR 2.5MM<sup>2</sup> CABLE: HVG30M2, USE LEVEL: 2PCS
  3. THE INTERLOCK PIN P/N: HVG20M1, USE LEVEL: 2PCS
  4. SCREW M4(DIMENTION REFER GB/T 70.1-2000)  
REVALING TORQUES: 0.5 N\*M

5. TECHNICAL DATA TABLE

TECHNICAL DESCRIPTION	TECHNICAL DATA	FEATURE
CURRENT RATE (4mm <sup>2</sup> CABLE)	32A @ AMBIENT 70° C	+
CURRENT RATE (2.5mm <sup>2</sup> CABLE)	23A @ AMBIENT 70° C	+
UL RATING VOLTAGE (OVERVOLTAGE CATEGORY II POLLUTION DEGREE 2)	800V DC	+
OPERATING TEMPERATURE	-40~125° C	
DIELECTRIC WITH STANDING VOLTAGE	3000V AC	+
INSULATION RESISTANCE	2000MΩ MIN. 25° C, NO CABLE	+
DURABILITY	500 CYCLES	○
SHIELDING	YES	○
WATERPROOF (MATED CONDITION)	IP 67	+
AMBIENT TEMPERATURE	-40~70° C	

6. SCOPE OF INNER SINGLE CABLE OUTSIDE DIAMETER :  
2.5 & 4.0 mm<sup>2</sup> OD 5.5 Max.  
INTERLOCK CABLE OD 2.5 Max.(0.5~0.75mm<sup>2</sup> CABLE)

7. PART NUMBER DESCRIPTION:  
HVG1S402MC XXX

- KEY OF CODING OPTION
- BK: NO KEY & BLACK(w° =0°)
  - XBK: KEY X & BLACK(w° =270°)
  - YBK: KEY Y & BLACK(w° =315°)
  - ZBK: KEY Z & BLACK(w° =90°)
  - WBK: KEY W & BLACK(w° =45°)
  - XRD: KEY X & RED(w° =270°)
  - YY : KEY Y & YELLOW(w° =315°)
  - ZBL: KEY Z & BLUE(w° =90°)
  - WGR: KEY W & GREEN(w° =45°)
  - NO CODE: NO KEY & PLATING COLOR(w° =0°)
  - X : KEY X & PLATING COLOR(w° =270°)
  - Y : KEY Y & PLATING COLOR(w° =315°)
  - Z : KEY Z & PLATING COLOR(w° =90°)
  - W : KEY W & PLATING COLOR(w° =45°)

ANGLE CODE	ANGLE OF KEY(W°)	COLOR CODE	COLOR OF LOCKING RING	P/N(FOR EXAMPLE)
NO CODE	0°			HVG1S402MC BK
X	270°	BK	BLACK	HVG1S402MC X BK
Y	315°			HVG1S402MC Y BK
Z	90°			HVG1S402MC Z BK
W	45°			HVG1S402MC W BK
X	270°	RD	RED	HVG1S402MC X RD
Y	315°	Y	YELLOW	HVG1S402MC Y Y
Z	90°	BL	BLUE	HVG1S402MC Z BL
W	45°	GR	GREEN	HVG1S402MC W GR
NO CODE	0°			HVG1S402MC
X	270°	NO CODE	PLATING COLOR	HVG1S402MC X
Y	315°			HVG1S402MC Y
Z	90°			HVG1S402MC Z
W	45°			HVG1S402MC W

C-HVGIS402MCXXX

安费诺精密连接器(深圳)有限公司  
Amphenol PCD Shenzhen  
受控文件  
2018年2月5日

DIMENSIONS	TOLERANCES	PROJECTION	TITLE		
ANSI Y14.5M UNITS: MM Pro/E FILE	.X ±0.5 .XX ±0.05 ANGLES ±0.5°		TWO CORE RECEPTACLE ASSEMBLY WITH INTERLOCK		
ORIGINAL NOT FOR CUSTOMER DISTRIBUTION	THIS DOCUMENT CONTAINS PROPRIETARY INFORMATION WHICH IS THE CONFIDENTIAL PROPERTY OF AMPHENOL PCD SHENZHEN	ENGR CHKD APPD	2018.01.31	SIZE A3	DWG NO. C-HVGIS402MCXXX
				REV 1	REV 1
			CODE: 58982	SCALE: 2:1	SHEET 1 OF 1