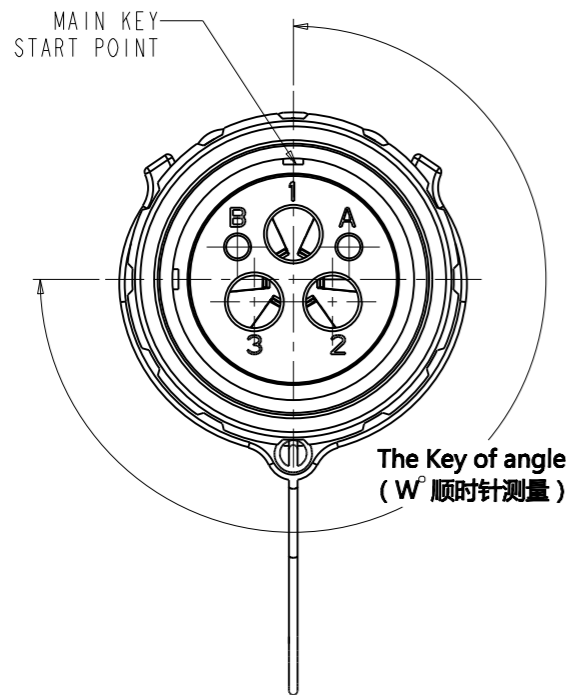
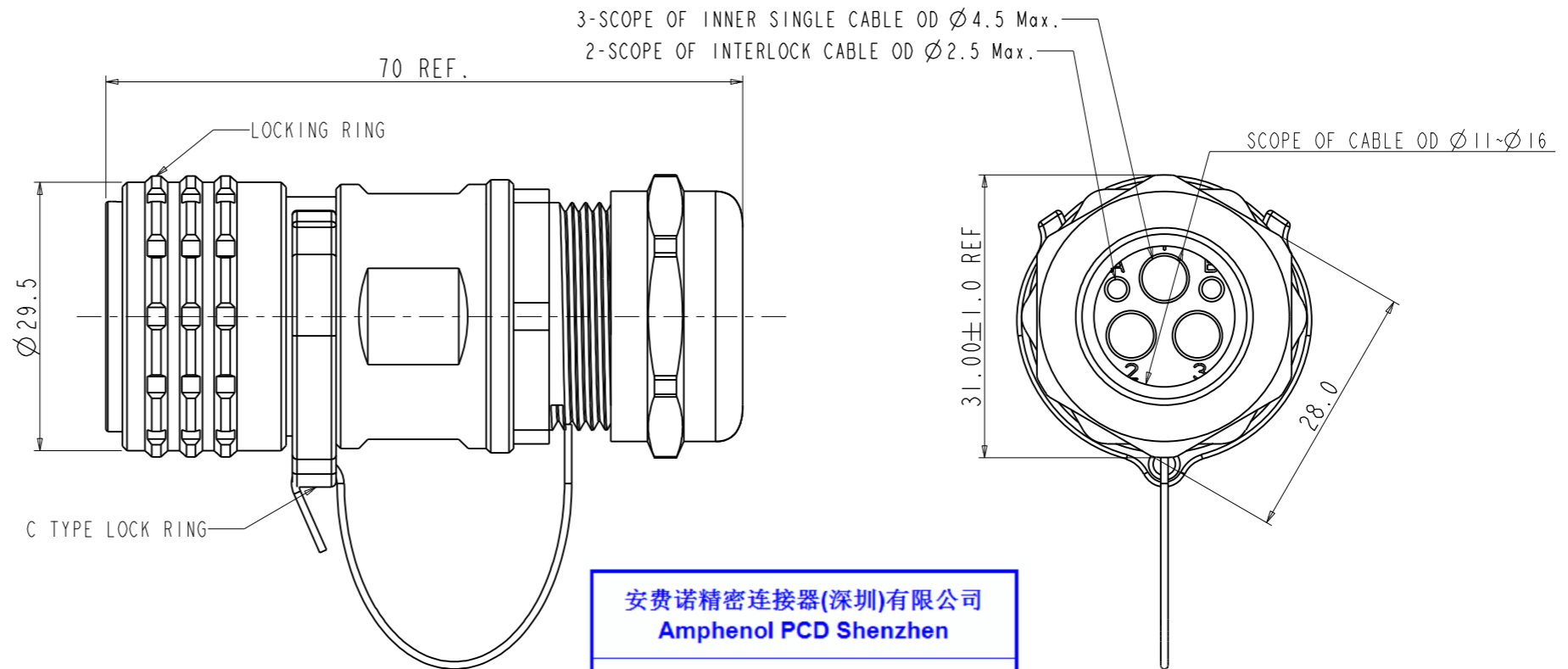


REV	ECN	DESCRIPTION	DATE	MODIFIED
1		UPDATE THE DRAWING	2018.01.19	
2		SEE THE MARKING ②	2018.01.31	

Amphenol PCDSZ
ORIGINAL
PDF Format
R&D



A, B HOLES FOR Ø1.0 INTERLOCK PIN
1, 2, 3 HOLES FOR Ø3.0 POWER PIN



安费诺精密连接器(深圳)有限公司
Amphenol PCD Shenzhen
受控文件
2018年2月5日

C-HVGIP403FCXX

C-HVGIP403FCXX

- NOTES:
1. FINISHED PRODUCT DOES HAVE NOT THE PIN, NEED TO BUY SEPARATE.
 2. THE POWER PIN P/N FOR 4MM² CABLE: HVG30F4 OR HVG30FS4, USE LEVEL: 3PCS
THE POWER PIN P/N FOR 2.5MM² CABLE: HVG30F2 OR HVG30FS2, USE LEVEL: 3PCS
 3. THE INTERLOCK PIN P/N: HVG20F1, USE LEVEL: 2PCS
 4. WIHT C TYPE LOCK RING AND DUST CAP.
 5. TORQUE: 5~8N*M
 6. THE SCOPE OF CABLE OD=Ø11~Ø16
 7. TECHNICAL DATA TABLE

TECHNICAL DESCRIPTION	TECHNICAL DATA	FEATURE
CURRENT RATE (4mm ² CABLE)	32A @ AMBIENT 70° C	+
CURRENT RATE (2.5mm ² CABLE)	23A @ AMBIENT 70° C	+
UL RATING VOLTAGE (OVERVOLTAGE CATEGORY II POLLUTION DEGREE 2)	800V DC	+
OPERATING TEMPERATURE	-40~125° C	
DIELECTRIC WITH STANDING VOLTAGE	3000V AC	+
INSULATION RESISTANCE	2000MΩ MIN. 25° C, NO CABLE	+
DURABILITY	500 CYCLES	○
SHIELDING	YES	○
WATERPROOF (MATED CONDITION)	IP 67	+
AMBIENT TEMPERATURE	-40~70° C	

8. PART NUMBER DESCRIPTION:
HVG1P403FC XX

- ② KEY OF CODING OPTION
 XR: KEY X & RED(w° =270°)
 YY: KEY Y & YELLOW(w° =315°)
 ZB: KEY Z & BLUE(w° =90°)
 WG: KEY W & GREEN(w° =45°)
 NO CODE: NO KEY & BLACK(w° =0°)
 X : KEY X & BLACK(w° =270°)
 Y : KEY Y & BLACK(w° =315°)
 Z : KEY Z & BLACK(w° =90°)
 W : KEY W & BLACK(w° =45°)

ANGLE CODE	ANGLE OF KEY(W°)	COLOR CODE	COLOR OF LOCKING RING	P/N(FOR EXAMPLE)
NO CODE	0°	WITHOUT	BLACK	HVG1P403FC
X	270°	R	RED	HVG1P403FCXR
Y	315°	Y	YELLOW	HVG1P403FCYY
Z	90°	B	BLUE	HVG1P403FCZB
W	45°	G	GREEN	HVG1P403FCWG
X	270°	NO CODE	BLACK	HVG1P403FCX
Y	315°			HVG1P403FCY
Z	90°			HVG1P403FCZ
W	45°			HVG1P403FCW

9. SCOPE OF INNER SINGLE CABLE OUTSIDE DIAMETER :
 2.5 & 4.0 mm² OD 4.5 Max.
 INTERLOCK CABLE OD 2.5 Max.(0.5~0.75mm² CABLE)

DIMENSIONS	TOLERANCES	PROJECTION	TITLE		
ANSI Y14.5M UNITS: MM Pro/E FILE	.X ±0.5 .XX ±0.05 ANGLES ±0.5°		TRIPLEX PLUG ASSEMBLY WITH INTERLOCK		
ORIGINAL NOT FOR CUSTOMER DISTRIBUTION	THIS DOCUMENT CONTAINS PROPRIETARY INFORMATION WHICH IS THE CONFIDENTIAL PROPERTY OF AMPHENOL PCD SHENZHEN	ENGR 2018.01.31 CHKD APPD	SIZE A3	DWG NO. C-HVG1P403FCXX	REV 2
		CODE: 58982	SCALE: 2:1	SHEET 1 OF 1	