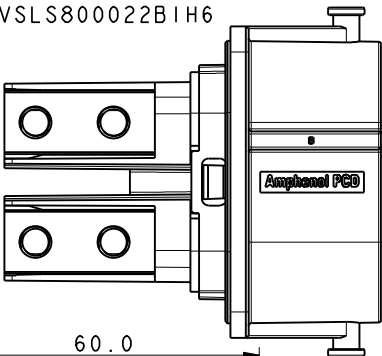


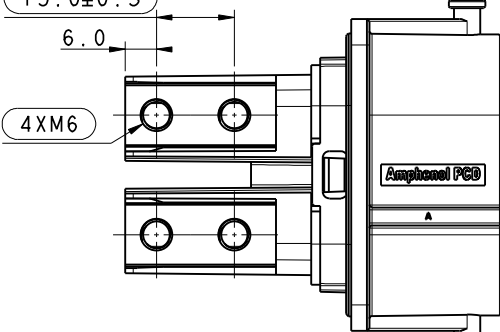
C-HVLS800022XH6

Amphenol PCD SZ
ORIGINAL
PDF Format
R&D

HVLS800022BIH6

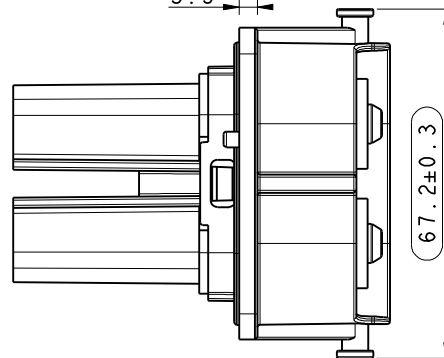
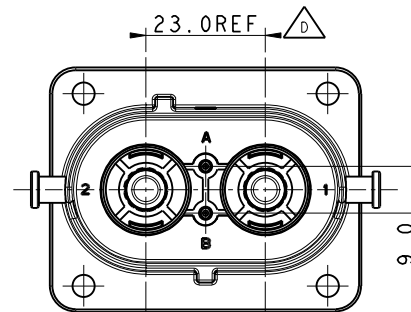
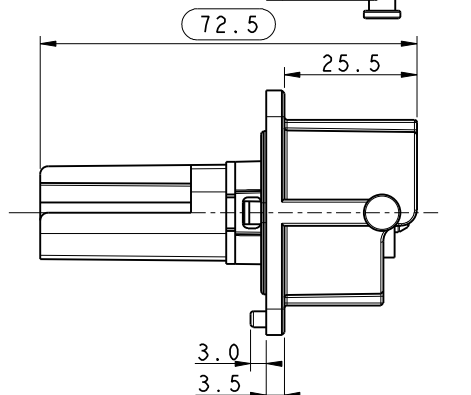
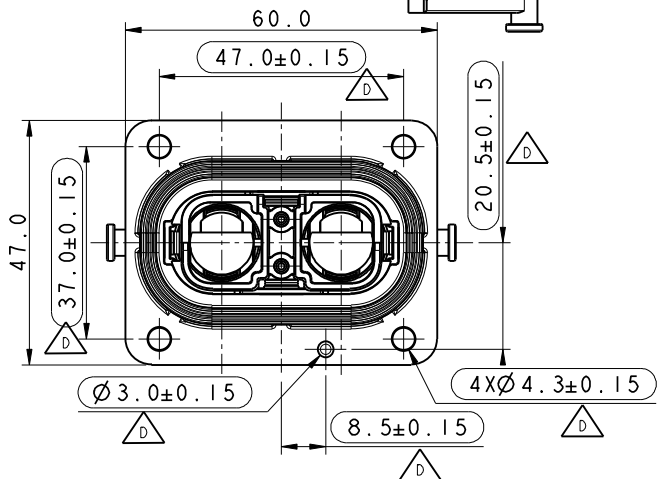


15.0±0.3 HVLS800022AIH6

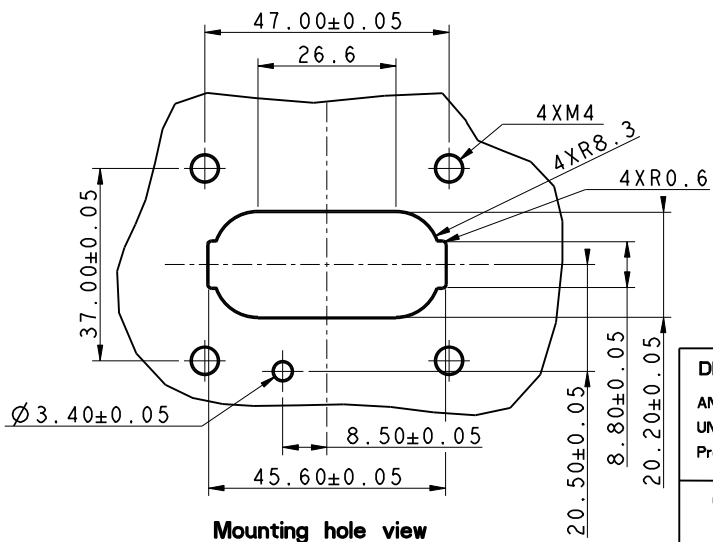


REV	ECN	DESCRIPTION	DATE	MODIFIED
A		PRE-RELEASE	Dec-29-16	
B		CHANGE PN	Dec-28-18	
C		CHANGE SIGNAL PIN AND PN	Jan-07-19	
D	R0362	修改尺寸公差	2019.3.5	

安费诺精密连接器(深圳)有限公司
Amphenol PCD Shenzhen
受控文件
2019年4月3日



TECHNICAL DATA		
CURRENT RATE 25MM ² WIRE	120A	↑
CURRENT RATE 35MM ² WIRE	150A	↑
CURRENT RATE 50MM ² WIRE	180A	↑
VOLTAGE RATE	1000V DC	↑
OPERATING TEMPERATURE	-40-125°C	
DIELECTRIC WITHSTANDING VOLTAGE	3000V AC	↑
INSULATION RESISTANCE	2000MΩ	↑
DURABILITY	50 CYCLES	⊙
SHIELDING	YES	
WATERPROOF (MATED CONDITION)	IP67 IP6K9K	↑
CORROSION-PROOF GRADE (SALT FOG TEST)	96 HOURS	
AMBIENT TEMPERATURE	-40-70°C	

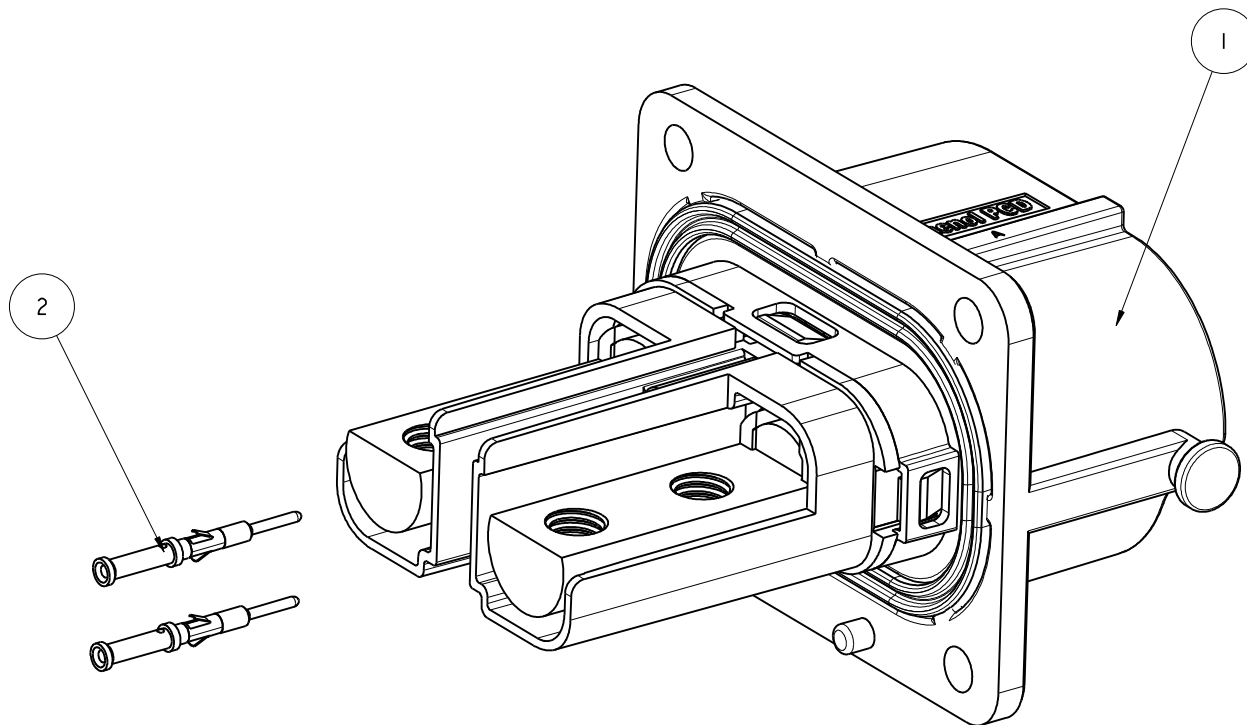


DIMENSIONS	TOLERANCES	PROJECTION	TITLE		
ANSI Y14.5M UNITS: MM Pro/E FILE	X ±0.05 XX ±0.30 ANGLES ±2.0°		HVLS800 RECEPTACLE THE SAME UP DIRECTION WIRING		
ORIGINAL	THIS DOCUMENT CONTAINS PROPRIETARY INFORMATION WHICH IS THE CONFIDENTIAL PROPERTY OF AMPHENOL PCD SHENZHEN				
			CHKD	SIZE	DWG NO.
			APPD	A3	C-HVLS800022XH6
				CODE: 58982	SCALE: 1:1 SHEET 1 OF 3
					REV D

C-HVLS800022XH6

C-HVLS800022XH6

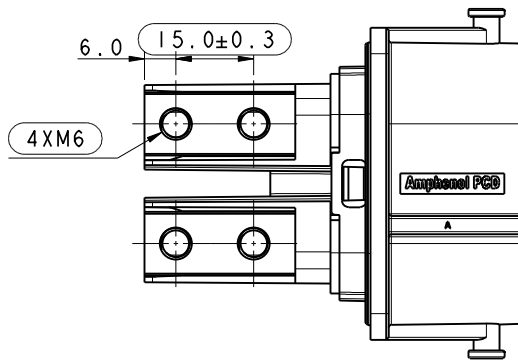
安费诺精密连接器(深圳)有限公司
Amphenol PCD Shenzhen
受控文件
2019年4月3日



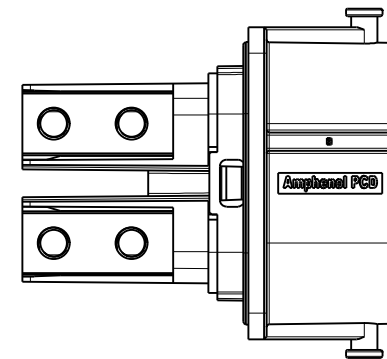
Notes :
Number 2 assembly for the client

2	 P03BM00177	SINGLE PIN(信号公针)	2	ASSEMBLE
1	HVSL80002XH6	ASSEMBLE RECEPTACLE(插座主体)	1	ASSEMBLE
INDEX	P/N	DESCRIPTION	QTY	REMARK

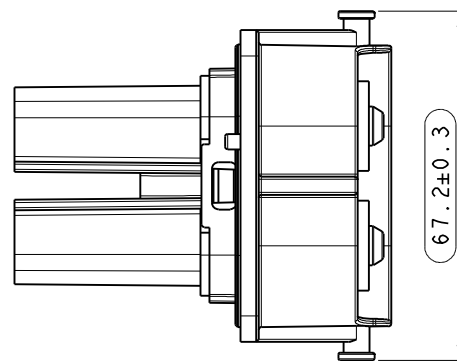
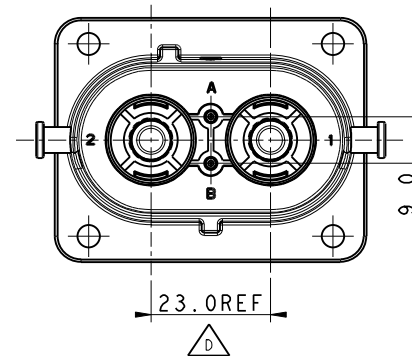
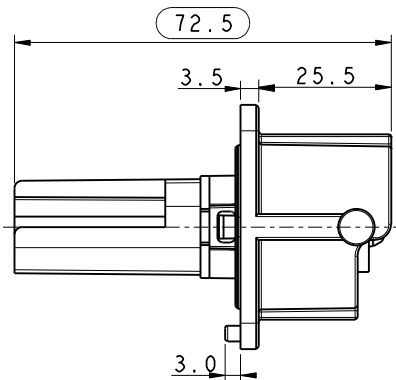
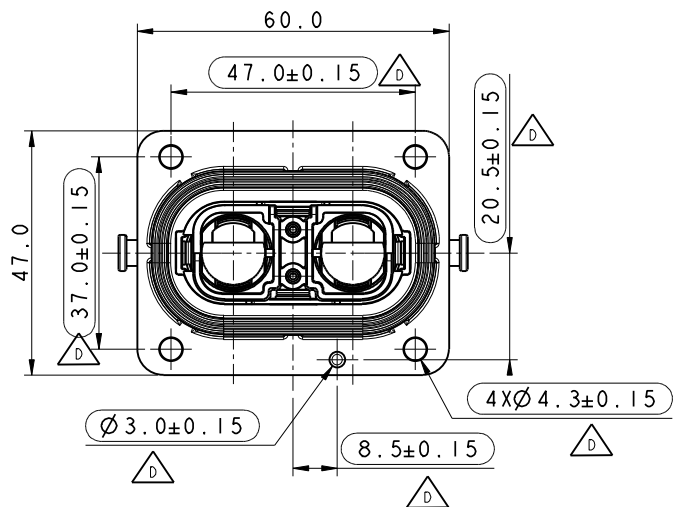
SIZE	DWG NO.	REV
A3	C-HVSL800022XH6	D
CODE: 58982	SCALE: 1:1	SHEET 2 OF 3



HVSL80002AH6



HVSL80002BH6



安费诺精密连接器(深圳)有限公司
Amphenol PCD Shenzhen
受控文件
2019年4月3日

P/N:HVSL80002XH6(插座主体)

SIZE A3	DWG NO. C-HVSL80002XH6	REV D
CODE: 58982	SCALE: 1:1	SHEET 3 OF 3