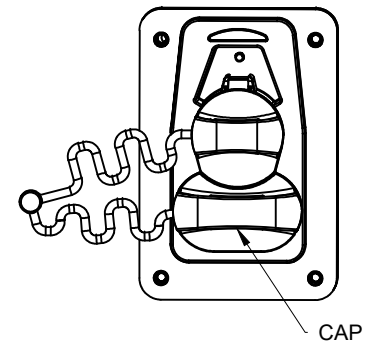
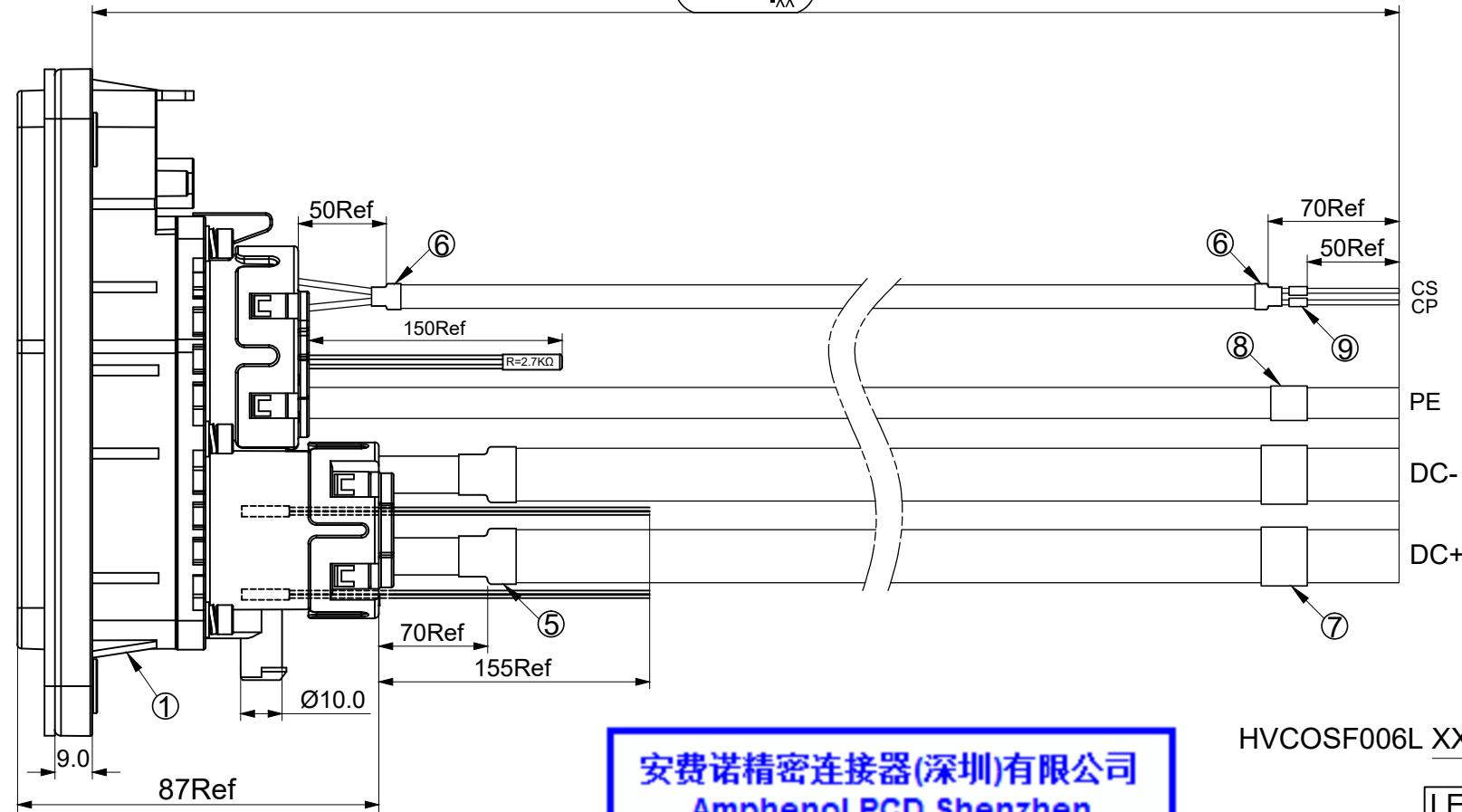
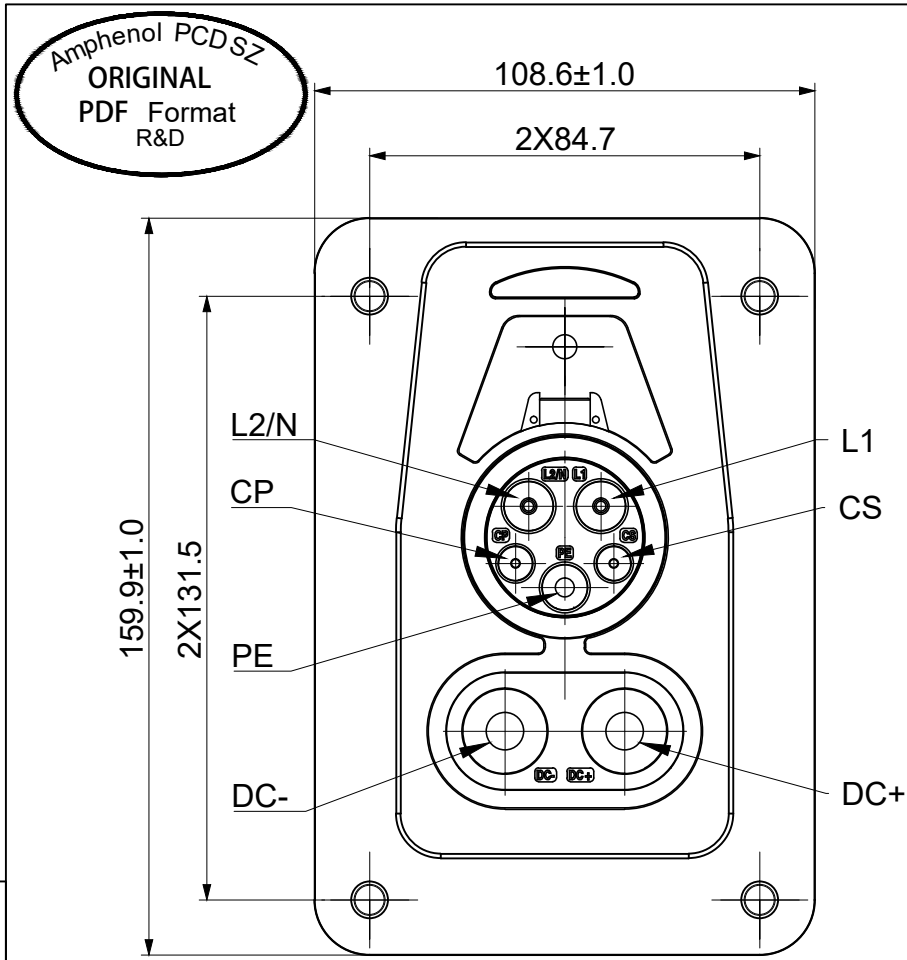


REV	ECN	DESCRIPTION	DATE	MODIFIED
1		PRE-RELEASE	2020.04.07	
2		UPDATE Laser Marking	2021.05.12	



安费诺精密连接器(深圳)有限公司
 Amphenol PCD Shenzhen
受控文件
 2021年11月18日

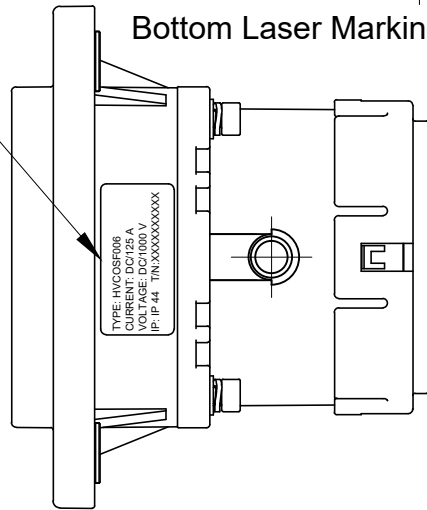
HVCOSF006L XXXX

LENGTH	TOLERANCE
0~1000mm	+25 -10
1001~5000mm	+40 -10
>5000mm	+50 -20

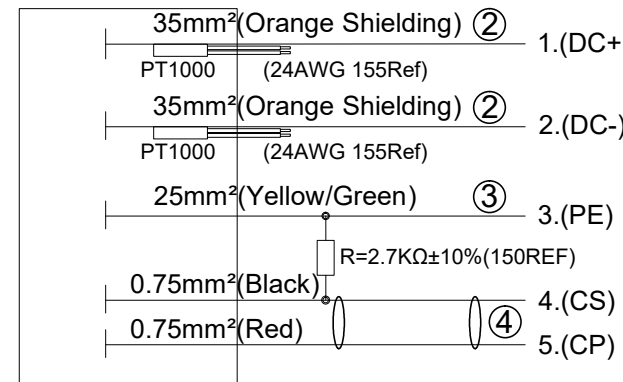
Laser Marking (Scale 3:1)

TYPE: HVCOSF006
 CURRENT: DC/125A
 VOLTAGE: DC/1000V
 IP: IP 44 T/N:XXXXXXXXXX

Bottom Laser Marking



CABLE CONNECT METHOD



ITEM	NAME	DESCRIPTION	QTY	UNIT
⑨	LABLE	H.S.T Ø 3.2mm WHITE LABLE	0.05	m
⑧	LABLE	H.S.T Ø 12mm WHITE LABLE	0.05	m
⑦	LABLE	H.S.T Ø 16mm WHITE LABLE	0.1	m
⑥	H.S.T	DOUBLE-WALL H.S.T: Ø8 BLACK	0.1	m
⑤	H.S.T	DOUBLE-WALL H.S.T: Ø16 BLACK	0.1	m
④	CABLE	2C*0.75mm² SHIELDING ORANGE OD=6.7±0.3,ID=2.3±0.15	AR	m
③	CABLE	1C*25mm² UNSHIELDING YELLOW/GREEN OD=9.3±0.2	AR	m
②	CABLE	1C*35mm² SHIELDING ORANGE OD=14.1±0.3,ID=10.2±0.4	AR	m
①	CONNECTOR	HVCOSF006,125A/DC,NO AC,BLACK,WITH CAP,NO LED	1	EA

*Notes:

- Cable assembly data:
 - Rated Voltage&Rated Current:
 - DC+:1000V DC, 125A MAX;
 - DC-: 1000V DC, 125A MAX;
 - PE: 25mm² GROUND;
 - CS:30V DC 2A;
 - CP:30V DC 2A;
 - Insulation Resistance:100MΩ Min(DC 1000V /DC+&DC-);
 - Insulation Resistance:100MΩ Min(DC 500V /CP);
 - Withstand Voltage:3000V/AC r.m.s(DC+&DC-);
 - Withstand Voltage:500V/AC r.m.s(CP);
 - IP-Class(mated): IP44(SAE COMBO PLUG);
 - ©Durability:10000 cycles(SAE COMBO PLUG);
 - RoHS Compliance;
 - Ambient Temperature: -30°C ~ +50°C;
- Reference:C-HVCOSF006
 Comply with IEC62196-2&3:2014; UL2251 ; J1772

DIMENSIONS	TOLERANCES	PROJECTION	TITLE	
ANSI Y14.5M UNITS: MM CAD FILE	.X ± 0.5 .XX ± 0.05 ANGLES ± 2.0°		CCS1 Vehicle INLET DC1000V/125A;NO LED Cable assembly	
ORIGINAL	THIS DOCUMENT CONTAINS PROPRIETARY INFORMATION WHICH IS THE CONFIDENTIAL PROPERTY OF Amphenol PCD Shenzhen Co. Ltd RESERVES THE RIGHT TO CLARIFY THIS DRAWING		Amphenol PCD Shenzhen ENGR 2020.04.07	SIZE A3 DWG NO. C-HVCOSF006LXXXX REV 2
			CODE: 58982	SCALE SHEET 1 OF 1