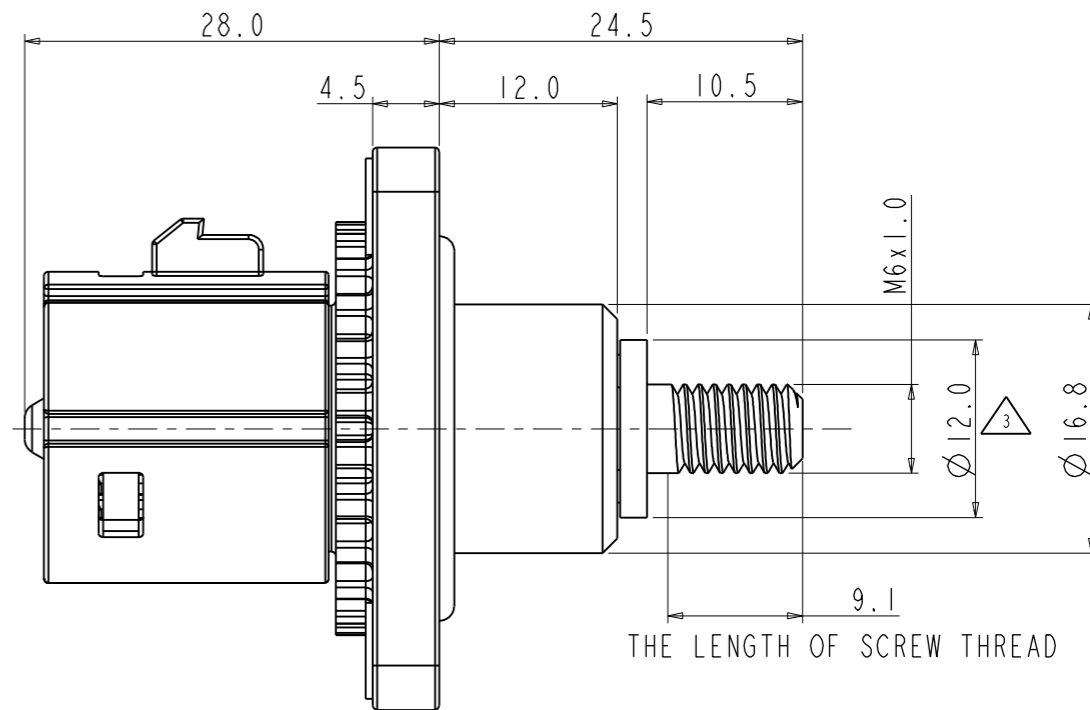
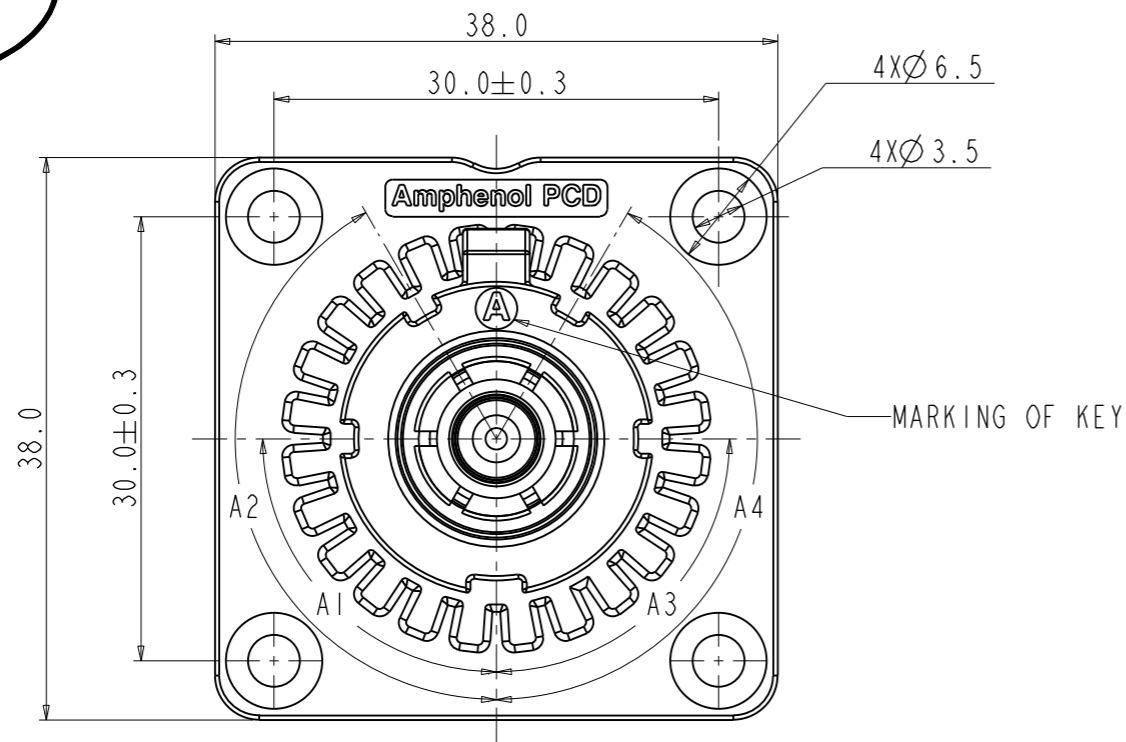


Amphenol PCD SZ  
ORIGINAL  
PDF Format  
R&D

REV	ECN	DESCRIPTION	DATE	MODIFIED
1		FIRST RELEASE	Otc-16-2019	MARK.WEI
2	R4066N	ADJUST THE TORQUE	Apr-08-2020	
3	R6397N	CHANGE SIZE	Jul-07-2022	



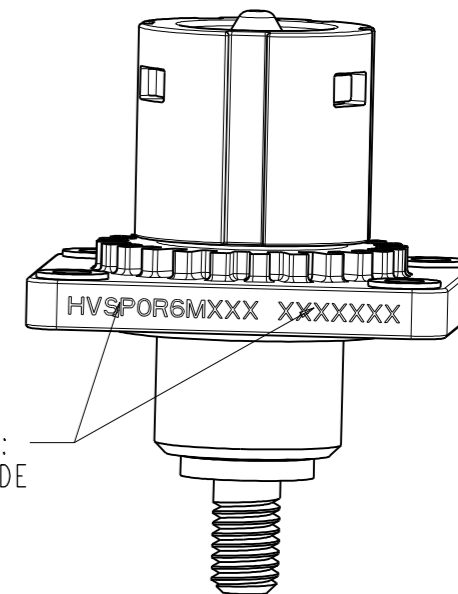
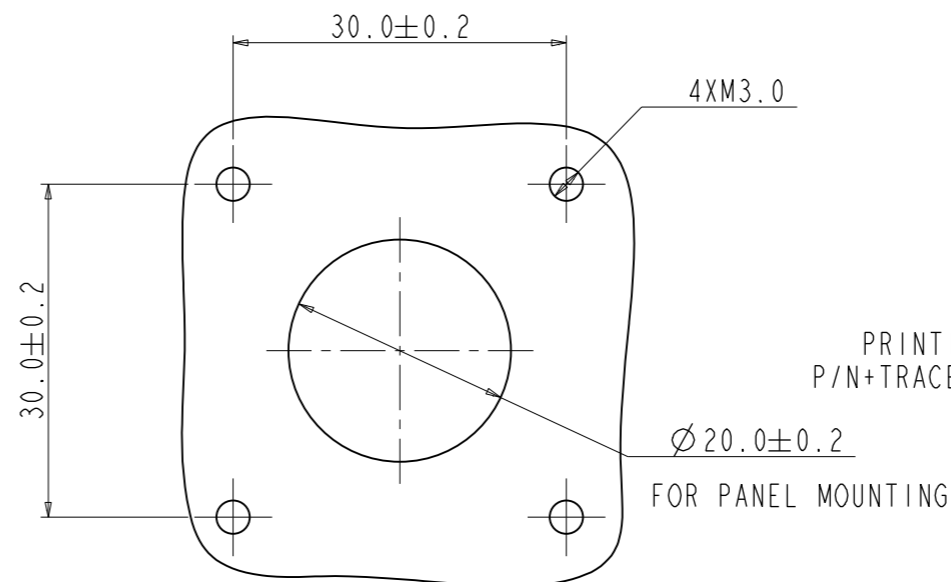
- NOTE:  
 1. FLANGE MATCHING SCREW IS M3 SUGGEST THE LOCKING TORQUE IS 0.6N.M  
 2. CONTACT MATCHING SCREW IS M6X1.0 SUGGEST THE LOCKING TORQUE IS 4N.M  
 3. RoHS&REACH COMPLIANCE  
 4. PART NUMBER DESCRIPTION: HVSPOR6MT X X

KEY OF CODING OPTION

COLOR OF CODING OPTION

PART NO.	A1	A2	A3	A4
A	90°	150°	90°	150°
B	90°	120°	90°	120°
C	120°	150°	120°	150°
D	120°	150°	90°	150°
E	90°	150°	120°	150°

N/A=ORANGE  
B=BLACK



PRINTING CONTENT:  
P/N+TRACEABILITY CODE

TECHNICAL DATA		REMARK
CURRENT RATE(25MM <sup>2</sup> CABLE)	UP TO 120A	+
RATING VOLTAGE (OVERVOLTAGE CATEGORY II POLLUTION DEGREE 2)	1500V DC	+
OPERATING TEMPERATURE	-40~125°C	
DIELECTRIC WITHSTANDING VOLTAGE	4000V AC(RMS)	+
INSULATION RESISTANCE	200MΩ MIN. 25°C, NO CABLE	+
DURABILITY	50CYCLES	◎
SHIELDING	NO	
WATERPROOF(MATED CONDITION)	IP 67	+
AMBIENT TEMPERATURE	-40~70°C	
PROTECTION LEVEL	IP2XB	+
RoHS&REACH	YES	+

DIMENSIONS	TOLERANCES	PROJECTION	TITLE
ANSI Y14.5M UNITS: MM Pro/E FILE	X ±0.5 XX ±0.05 ANGLES ±2°		<b>Amphenol PCD Shenzhen</b>
ORIGINAL	THIS DOCUMENT CONTAINS PROPRIETARY INFORMATION WHICH IS THE CONFIDENTIAL PROPERTY OF Amphenol PCD Shenzhen Co. Ltd Amphenol PCD Shenzhen Co. Ltd RESERVES THE RIGHT TO CLARIFY THIS DRAWING		ENGR Otc-16-2019
			CHKD APPD

TITLE		SIZE	DWG NO.	REV
<b>HVSP-R6 RECEPTACLE</b>		<b>A3</b>	<b>C-HVSPOR6MTXX</b>	<b>3</b>
CODE: 58982	SCALE: 2:1	SHEET 1 OF 1		

C-HVSPOR6MTXX

C-HVSPOR6MTXX