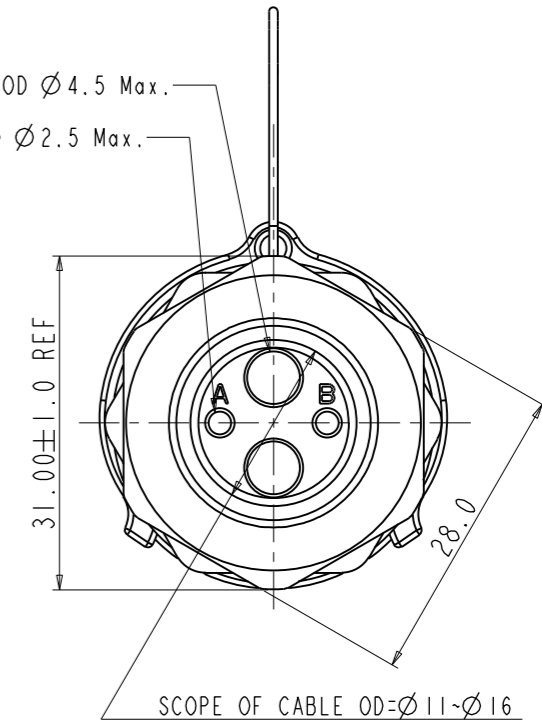
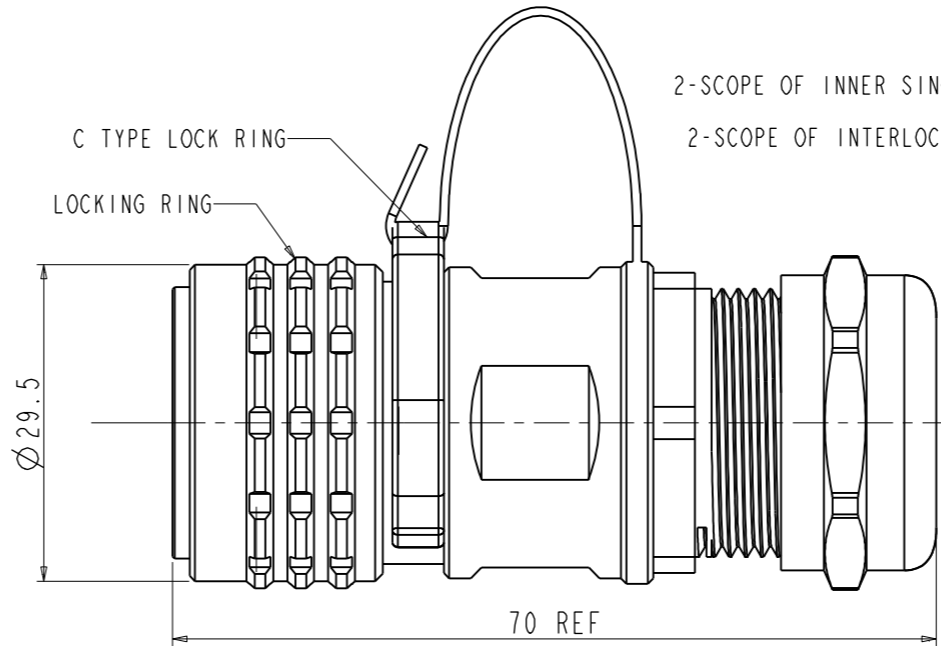
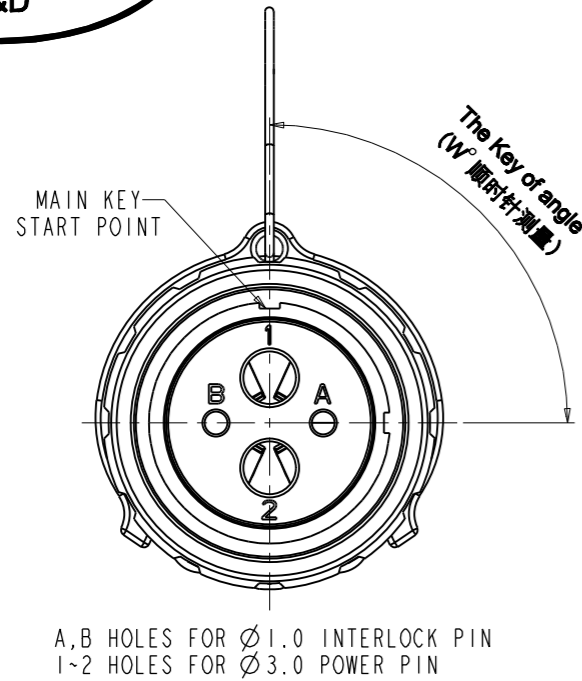


REV	ECN	DESCRIPTION	DATE	APP'D
1		UPDATE THE DRAWING	2018.01.19	
2		SEE THE MARKING ②	2018.01.31	

Amphenol PCDSZ  
ORIGINAL  
PDF Format  
R&D



- NOTES:
1. FINISHED PRODUCT DOES HAVE NOT THE PIN, NEED TO BUY SEPARATE.
  2. THE POWER PIN P/N FOR 4MM<sup>2</sup> CABLE: HVG30F4 OR HVG30FS4, USE LEVEL: 2PCS  
THE POWER PIN P/N FOR 2.5MM<sup>2</sup> CABLE: HVG30F2 OR HVG30FS2, USE LEVEL: 2PCS
  3. THE INTERLOCK PIN P/N: HVG20F1, USE LEVEL: 2PCS
  4. WIHT C TYPE LOCK RING AND DUST CAP.
  5. TORQUE: 5~8N\*M
  6. THE SCOPE OF CABLE OD= $\varnothing 11$ ~ $\varnothing 16$
  7. TECHNICAL DATA TABLE

CURRENT RATE (4mm <sup>2</sup> CABLE)	32A @ AMBIENT 70° C	+
CURRENT RATE (2.5mm <sup>2</sup> CABLE)	23A @ AMBIENT 70° C	+
UL RATING VOLTAGE (OVERVOLTAGE CATEGORY II POLLUTION DEGREE 2)	800V DC	+
OPERATING TEMPERATURE	-40~125° C	
DIELECTRIC WITH STANDING VOLTAGE	3000V AC	+
INSULATION RESISTANCE	2000M $\Omega$ MIN. 25° C, NO CABLE	+
DURABILITY	500 CYCLES	⊙
SHIELDING	YES	⊙
WATERPROOF (MATED CONDITION)	IP 67	+
AMBIENT TEMPERATURE	-40~70° C	
TECHNICAL DESCRIPTION	TECHNICAL DATA	FEATURE

8. PART NUMBER DESCRIPTION:  
HVG1P402FC XX

- ② KEY OF CODING OPTION
- XR: KEY X & RED( $w^\circ = 270^\circ$ )
  - YY: KEY Y & YELLOW( $w^\circ = 315^\circ$ )
  - ZB: KEY Z & BLUE( $w^\circ = 90^\circ$ )
  - WG: KEY W & GREEN( $w^\circ = 45^\circ$ )
  - NO CODE: NO KEY & BLACK( $w^\circ = 0^\circ$ )
  - X : KEY X & BLACK( $w^\circ = 270^\circ$ )
  - Y : KEY Y & BLACK( $w^\circ = 315^\circ$ )
  - Z : KEY Z & BLACK( $w^\circ = 90^\circ$ )
  - W : KEY W & BLACK( $w^\circ = 45^\circ$ )

ANGLE CODE	ANGLE OF KEY( $w^\circ$ )	COLOR CODE	COLOR OF LOCKING RING	P/N(FOR EXAMPLE)
NO CODE	0°	NO CODE	BLACK	HVG1P402FC
X	270°	R	RED	HVG1P402FC X R
Y	315°	Y	YELLOW	HVG1P402FC Y Y
Z	90°	B	BLUE	HVG1P402FC Z B
W	45°	G	GREEN	HVG1P402FC W G
X	270°	NO CODE	BLACK	HVG1P402FC X
Y	315°			HVG1P402FC Y
Z	90°			HVG1P402FC Z
W	45°			HVG1P402FC W

9. SCOPE OF INNER SINGLE CABLE OUTSIDE DIAMETER :  
2.5 & 4.0 mm<sup>2</sup> OD 4.5 Max.  
INTERLOCK CABLE OD 2.5 Max.(0.5~0.75mm<sup>2</sup> CABLE)

安费诺精密连接器(深圳)有限公司  
Amphenol PCD Shenzhen

受控文件

2018年2月5日

DIMENSIONS	TOLERANCES	PROJECTION	TITLE		
ANSI Y14.5M UNITS: MM Pro/E FILE	.X ±0.5 .XX ±0.05 ANGLES ±0.5°		TWO CORE PLUG ASSEMBLY WITH INTERLOCK		
ORIGINAL NOT FOR CUSTOMER DISTRIBUTION	THIS DOCUMENT CONTAINS PROPRIETARY INFORMATION WHICH IS THE CONFIDENTIAL PROPERTY OF AMPHENOL PCD SHENZHEN	ENGR 2018.01.31 CHKD APPD	SIZE A3	DWG NO. C-HVG1P402FCXX	REV 2
		CODE: 58982	SCALE: 3:2	SHEET 1 OF 1	