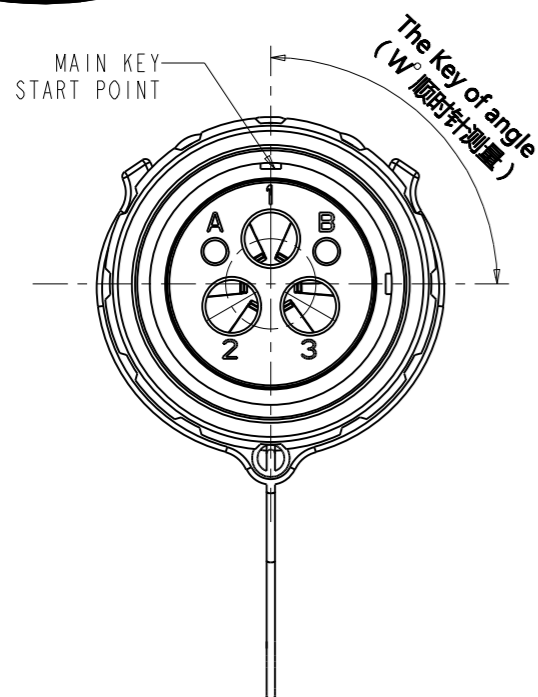
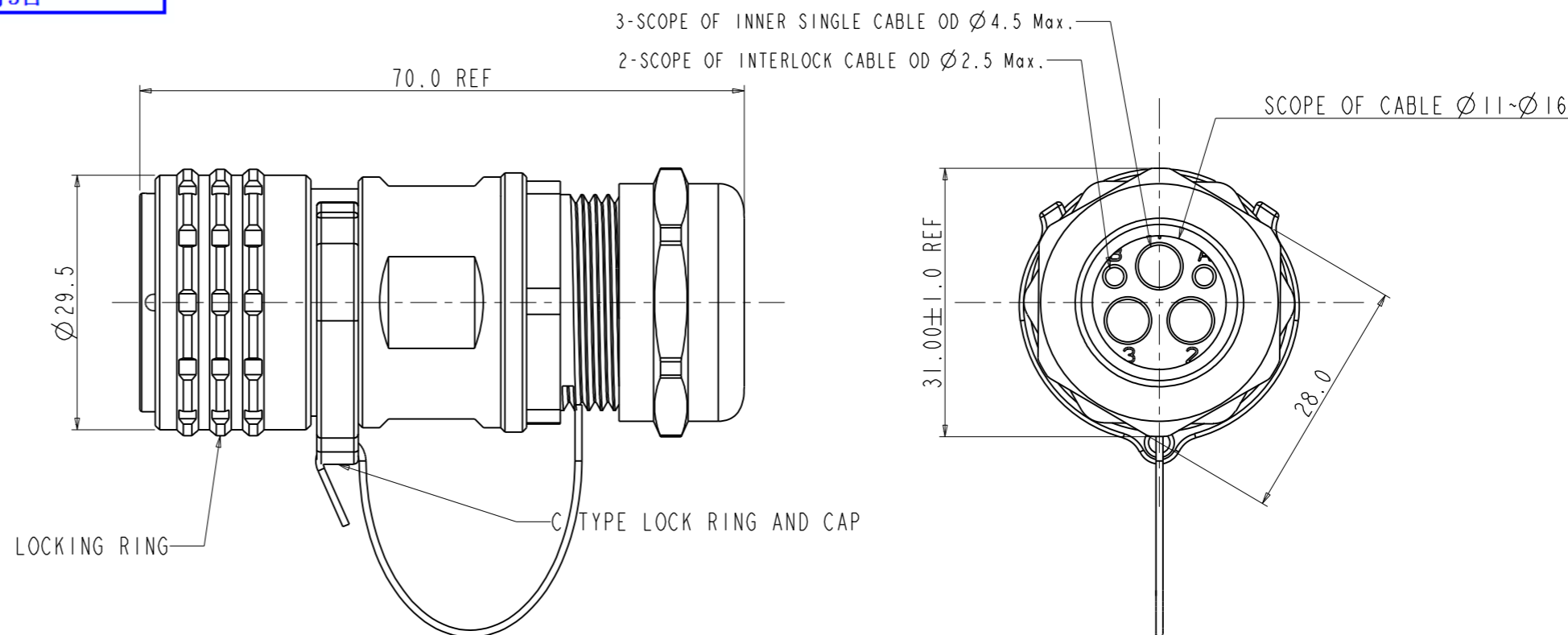


REV	ECN	DESCRIPTION	DATE	MODIFIED
1		UPDATE THE DRAWING	2018.01.19	
2		SEE THE MARKING ②	2018.01.31	

Amphenol PCD SZ
ORIGINAL
PDF Format
R&D



A, B HOLES FOR $\phi 1.0$ INTERLOCK PIN
1, 2, 3 HOLES FOR $\phi 3.0$ POWER PIN



C-HVGIP403MCXX

C-HVGIP403MCXX

NOTES:

1. FINISHED PRODUCT DOES HAVE NOT THE PIN, NEED TO BUY SEPARATE.
2. THE POWER PIN P/N FOR 4MM² CABLE: HVG30M4, USE LEVEL: 3PCS
THE POWER PIN P/N FOR 2.5MM² CABLE: HVG30M2, USE LEVEL: 3PCS
3. THE INTERLOCK PIN P/N: HVG20M1, USE LEVEL: 2PCS
4. WIHT C TYPE LOCK RING AND DUST CAP.
5. TORQUE: 5~8N*M
6. THE SCOPE OF CABLE OD= $\phi 11 \sim \phi 16$
7. TECHNICAL DATA TABLE

CURRENT RATE (4mm ² CABLE)	32A @ AMBIENT 70° C	✦
CURRENT RATE (2.5mm ² CABLE)	23A @ AMBIENT 70° C	✦
UL RATING VOLTAGE (OVERVOLTAGE CATEGORY II POLLUTION DEGREE 2)	800V DC	✦
OPERATING TEMPERATURE	-40~125° C	
DIELECTRIC WITH STANDING VOLTAGE	3000V AC	✦
INSULATION RESISTANCE	2000M Ω MIN. 25° C, NO CABLE	✦
DURABILITY	500 CYCLES	⊙
SHIELDING	YES	⊙
WATERPROOF (MATED CONDITION)	IP 67	✦
AMBIENT TEMPERATURE	-40~70° C	
TECHNICAL DESCRIPTION	TECHNICAL DATA	FEATURE

8. PART NUMBER DESCRIPTION:
HVG1P403MC XX

② KEY OF CODING OPTION

- XR: KEY X & RED($w^\circ = 270^\circ$)
- YY: KEY Y & YELLOW($w^\circ = 315^\circ$)
- ZB: KEY Z & BLUE($w^\circ = 90^\circ$)
- WG: KEY W & GREEN($w^\circ = 45^\circ$)
- NO CODE: NO KEY & BLACK($w^\circ = 0^\circ$)
- X : KEY X & BLACK($w^\circ = 270^\circ$)
- Y : KEY Y & BLACK($w^\circ = 315^\circ$)
- Z : KEY Z & BLACK($w^\circ = 90^\circ$)
- W : KEY W & BLACK($w^\circ = 45^\circ$)
- YR: KEY Y & RED($w^\circ = 315^\circ$)

ANGLE CODE	ANGLE OF KEY(w°)	COLOR CODE	COLOR OF LOCKING RING	P/N(FOR EXAMPLE)
NO CODE	0°	NO CODE	BLACK	HVG1P403MC
X	270°	R	RED	HVG1P403MC X R
Y	315°	Y	YELLOW	HVG1P403MC Y Y
Z	90°	B	BLUE	HVG1P403MC Z B
W	45°	G	GREEN	HVG1P403MC W G
X	270°	NO CODE	BLACK	HVG1P403MC X
Y	315°			HVG1P403MC Y
Z	90°			HVG1P403MC Z
W	45°			HVG1P403MC W
Y	315°	R	RED	HVG1P403MC Y R

9. SCOPE OF INNER SINGLE CABLE OUTSIDE DIAMETER :
2.5 & 4.0 mm² OD 4.5 Max.
INTERLOCK CABLE OD 2.5 Max.(0.5~0.75mm² CABLE)

DIMENSIONS	TOLERANCES	PROJECTION	TITLE		
ANSI Y14.5M UNITS: MM Pro/E FILE	.X ± 0.5 .XX ± 0.05 ANGLES $\pm 0.5^\circ$		TRIPLEX PLUG ASSEMBLY WITH INTERLOCK		
ORIGINAL NOT FOR CUSTOMER DISTRIBUTION	THIS DOCUMENT CONTAINS PROPRIETARY INFORMATION WHICH IS THE CONFIDENTIAL PROPERTY OF AMPHENOL PCD SHENZHEN	ENGP 2018.01.31 CHKD APPD	SIZE A3	DWG NO. C-HVGIP403MCXX	REV 2
			CODE: 58982	SCALE: 3:2	SHEET 1 OF 1