

Amphenol PCD
Controlled Document
 Date: 2019-07-19

HVBI705R10-XFC-XXX-FG-XX-L0000

HVIL CODE:
 A: WITH HVIL
 B: WITHOUT HVIL

ANGLE AND COLOR:
 ARD: 30°, RED
 BBK: 60°, BLACK
 CYL: 90°, YELLOW
 DGR: 120°, GREEN
 EBL: 150°, BLUE
 FPU: 180°, PURPLE

CABLE OD:
 50 : 50MM² CABLE(OD:17.0±0.5)
 50N : 50MM² CABLE(OD:16.4±0.4)
 70 : 70MM² CABLE(OD:19.5±0.5)
 70N : 70MM² CABLE(OD:18.9±0.4)

✦ : CRITICAL CHARACTERISTICS 关键特性
 ◎ : IMPORTANT CHARACTERISTICS 重要特性

TECHNICAL DATA

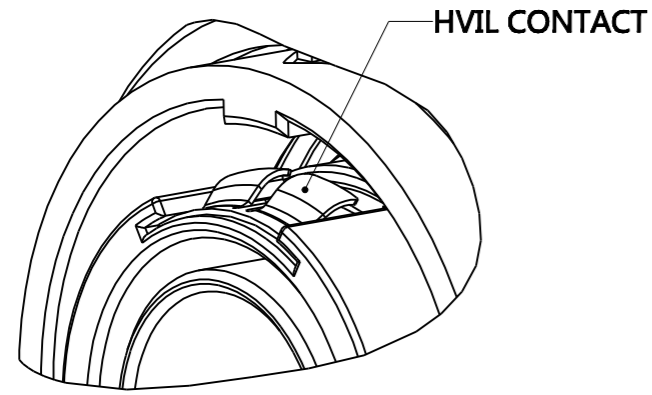
CURRENT RATE (50MM ² SHIELD CABLE)	180A @ AMBIENT 70° C	✦
CURRENT RATE (70MM ² SHIELD CABLE)	250A @ AMBIENT 70° C	✦
RATING VOLTAGE (OVERVOLTAGE CATEGORY II POLLUTION DEGREE 2)	1000V DC	✦
OPERATING TEMPERATURE	-40~125° C	
DIELECTRIC WITHSTANDING VOLTAGE	3000V AC	✦
INSULATION RESISTANCE	100MΩ MIN. 25° C, NO CABLE	✦
DURABILITY	50 CYCLES (MIN)	◎
SHIELDING	YES	
WATERPROOF (MATED CONDITION)	IP 67, IP6K9K	✦
PROTECTION LEVEL	IP2XB	✦
AMBIENT TEMPERATURE	-40~70° C	
ROHS COMPLIANCE	YES	✦

WITH HVIL		
P/N	DESCRIPTION	
	KEY OF ANGLE	COLOR
HVBI7-05R10-AFC-ARD-FG-XX-L0000	30°	RED
HVBI7-05R10-AFC-BBK-FG-XX-L0000	60°	BLACK
HVBI7-05R10-AFC-CYL-FG-XX-L0000	90°	YELLOW
HVBI7-05R10-AFC-DGR-FG-XX-L0000	120°	GREEN
HVBI7-05R10-AFC-EBL-FG-XX-L0000	150°	BLUE
HVBI7-05R10-AFC-ARD-FG-XX-L0000	180°	PURPLE

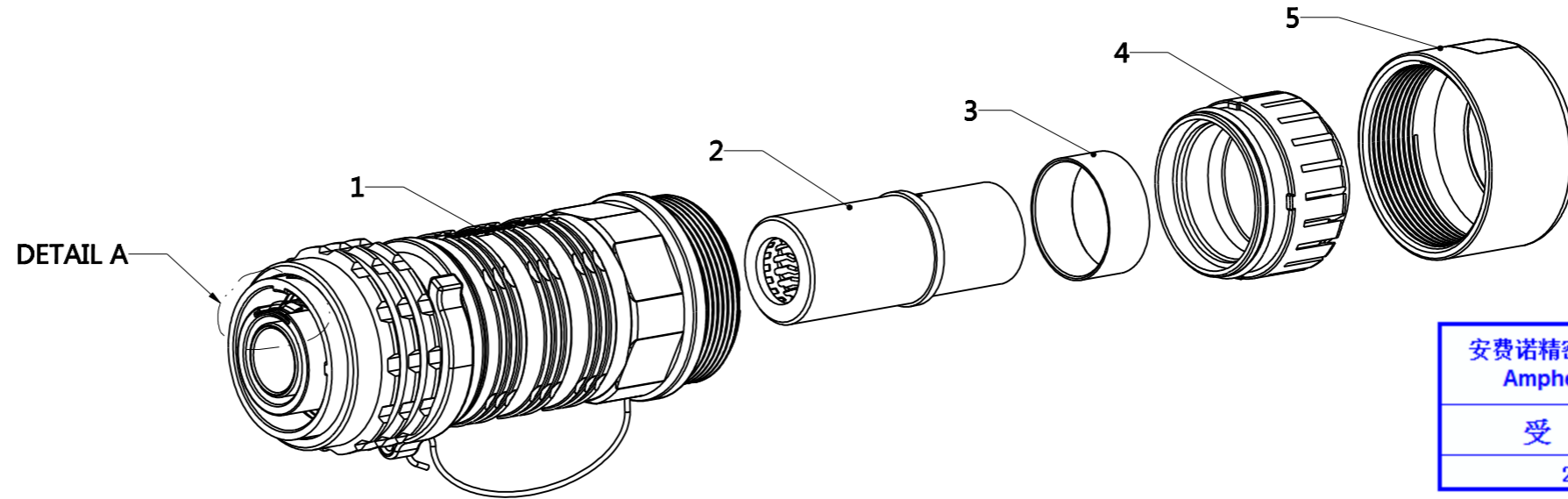
WITHOUT HVIL		
P/N	DESCRIPTION	
	KEY OF ANGLE	COLOR
HVBI7-05R10-BFC-ARD-FG-XX-L0000	30°	RED
HVBI7-05R10-BFC-BBK-FG-XX-L0000	60°	BLACK
HVBI7-05R10-BFC-CYL-FG-XX-L0000	90°	YELLOW
HVBI7-05R10-BFC-DGR-FG-XX-L0000	120°	GREEN
HVBI7-05R10-BFC-EBL-FG-XX-L0000	150°	BLUE
HVBI7-05R10-BFC-FPU-FG-XX-L0000	180°	PURPLE

DIMENSIONS ANSI Y14.5M UNITS: MM Pro/E FILE	TOLERANCES .X ±0.5 .XX ±0.05 ANGLES ±0.5°	PROJECTION 	TITLE HVBI-R10 STRAIGHT PLUG			
			ORIGINAL	THIS DOCUMENT CONTAINS PROPRIETARY INFORMATION WHICH IS THE CONFIDENTIAL PROPERTY OF AMPHENOL PCD SHENZHEN		SIZE A3
			CODE: 58982	SCALE: 1:1	SHEET 1 OF 3	

PRODUCT EXPLOSIVE VIEW AND BOM



DETAIL A



安费诺精密连接器(深圳)有限公司
Amphenol PCD Shenzhen
受控文件
2019年7月19日

5	C200005078	1	BACK CAP
4	C427005070	1	GLAND FOR 70MM ² CABLE, OD 18.5~20.0MM
3	P03BM00040	1	SPRING RING FOR 70MM ² CABLE (OD:19.5±0.5)
2	C420005100	1	CONTACT FOR 70MM ² CABLE
1	HVBI705R10XFCXXX	1	BODY,P/N SELECTION REFERENCE ITEM 1
ITEM	COMPONENT P/N	Q'TY	DESCRIPTION
HVBI7-05R10-XFC-XXX-FG-70-L0000 : BOM FOR 70MM ² CABLE OD 19.5±0.5			

5	C200005078	1	BACK CAP
4	C427005070	1	GLAND FOR 70MM ² CABLE, OD 18.5~20.0MM
3	P03BM00118	1	SPRING RING FOR 70MM ² CABLE (OD:18.9±0.4)
2	C420005100	1	CONTACT FOR 70MM ² CABLE
1	HVBI705R10XFCXXX	1	BODY,P/N SELECTION REFERENCE ITEM 1
ITEM	COMPONENT P/N	Q'TY	DESCRIPTION
HVBI7-05R10-XFC-XXX-FG-70N-L0000 : BOM FOR 70MM ² CABLE OD 18.9±0.4			

5	C200005078	1	BACK CAP
4	C427005073	1	GLAND FOR 70MM ² CABLE, OD : 16~17.5MM
3	P03BM00035	1	SPRING RING FOR 70MM ² CABLE (OD:17.0±0.5)
2	C420005101	1	CONTACT FOR 50MM ² CABLE
1	HVBI705R10XFCXXX	1	BODY,P/N SELECTION REFERENCE ITEM 1
ITEM	COMPONENT P/N	Q'TY	DESCRIPTION
HVBI7-05R10-XFC-XXX-FG-50-L0000 : BOM FOR 50MM ² CABLE OF OD 17.0±0.5			

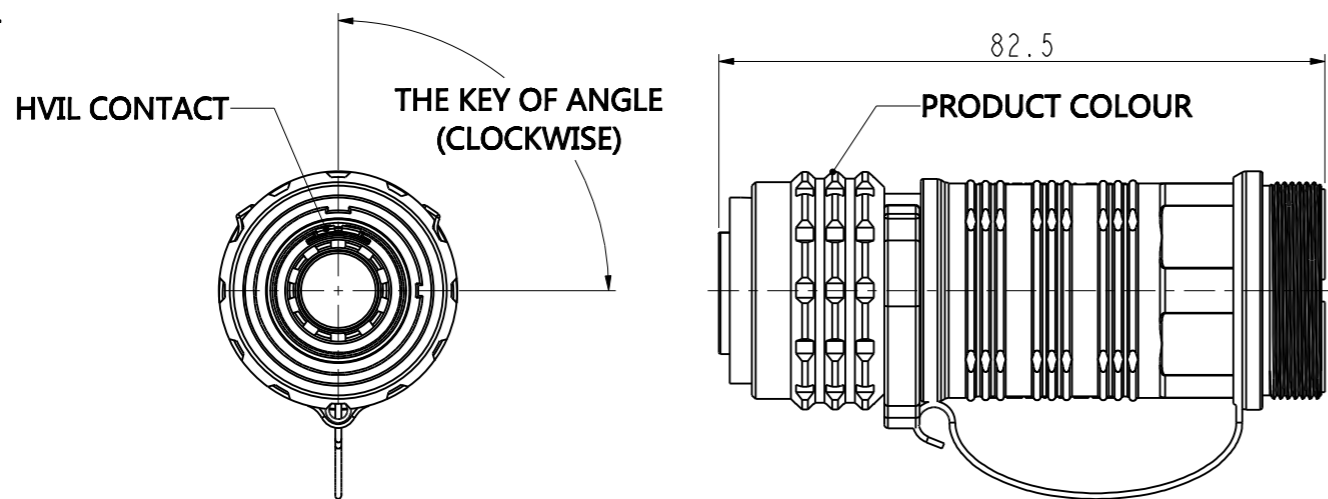
5	C200005078	1	BACK CAP
4	C427005073	1	GLAND FOR 70MM ² CABLE, OD : 16~17.5MM
3	P03BM00117	1	SPRING RING FOR 70MM ² CABLE (OD:16.4±0.4)
2	C420005101	1	CONTACT FOR 50MM ² CABLE
1	HVBI705R10XFCXXX	1	BODY: WITH HVIL,KEY A, RED
ITEM	COMPONENT P/N	Q'TY	DESCRIPTION
HVBI7-05R10-XFC-XXX-FG-50N-L0000 : BOM FOR 50MM ² CABLE OF OD 16.4±0.4			

C-HVBI705R10XFCXXXFGXXL0000

C-HVBI705R10XFCXXXFGXXL0000

SIZE	DWG NO.	REV
A3	C-HVBI705R10XFCXXXFGXXL0000	C
CODE: 58982	SCALE: 1:1	SHEET 2 OF 3

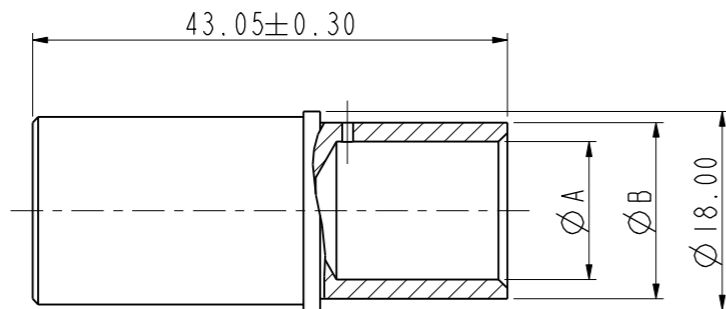
ITEM 1



安费诺精密连接器(深圳)有限公司
Amphenol PCD Shenzhen
受控文件
2019年7月19日

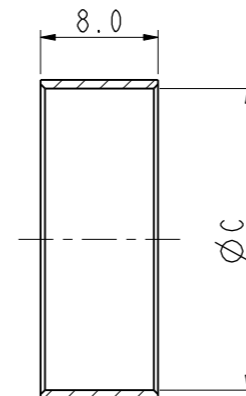
1	HVBI705R10BFCARD	NOT	30±1°	RED
	HVBI705R10BFCBBK	NOT	60±1°	BLACK
	HVBI705R10BFCCYL	NOT	90±1°	YELLOW
	HVBI705R10DFCDGR	NOT	120±1°	GREEN
	HVBI705R10BFCEBL	NOT	150±1°	BLUE
	HVBI705R10BFCFPU	NOT	180±1°	PURPLE
	HVBI705R10AFCARD	YES	30±1°	RED
	HVBI705R10AFCBBK	YES	60±1°	BLACK
	HVBI705R10AFCCYL	YES	90±1°	YELLOW
	HVBI705R10AFCDGR	YES	120±1°	GREEN
	HVBI705R10AFCEBL	YES	150±1°	BLUE
	HVBI705R10AFCFPU	YES	180±1°	PURPLE
ITEM	COMPONENT P/N	WITH HVIL	THE KEY OF ANGLE	COLOUR

ITEM 2



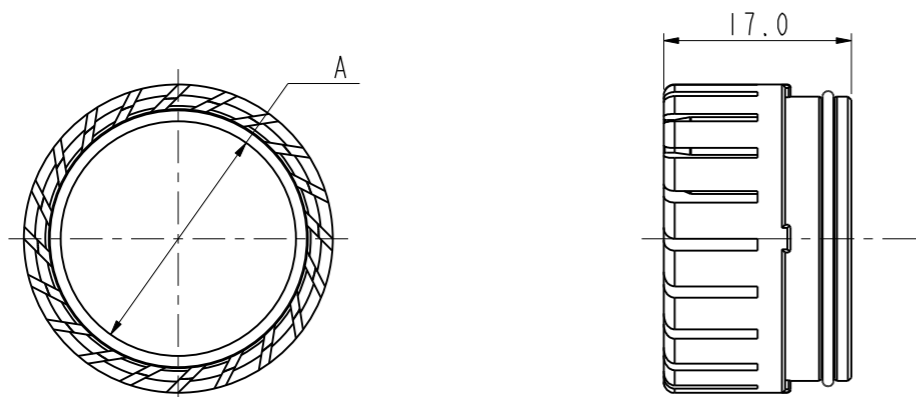
COMPONENT P/N	∅ A	∅ B
C420005100	∅ 12.5±0.2	∅ 16.0±0.2
C420005101	∅ 10.5±0.2	∅ 14.0±0.2

ITEM 3



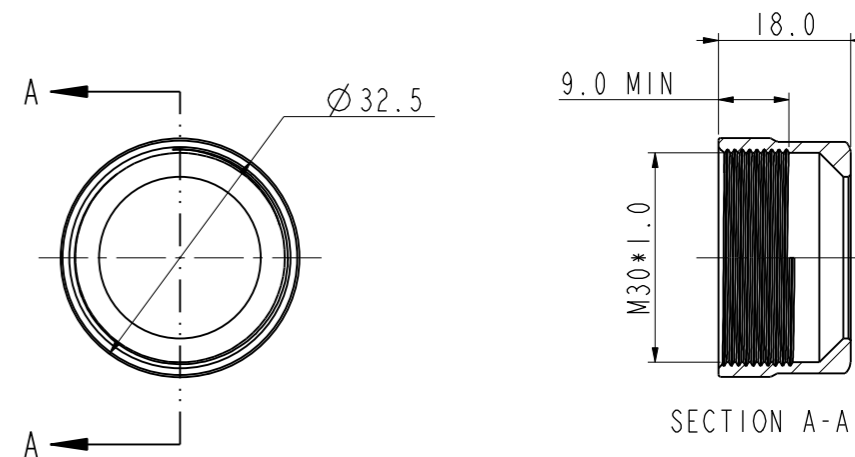
COMPONENT P/N	∅ C	REMARK
P03BM00035	∅ 18.0±0.2	50 SERIES
P03BM00117	∅ 17.3±0.2	50N SERIES
P03BM00040	∅ 20.5±0.2	70 SERIES
P03BM00118	∅ 19.7±0.2	70N SERIES

ITEM 4



COMPONENT P/N	∅ A
C427005070	∅ 21.30±0.5
C427005073	∅ 18.50±0.5

ITEM 5



SIZE A3	DWG NO. C-HVBI705R10XFCXXXFGXXL0000	REV C
CODE: 58982	SCALE: 1:1	SHEET 3 OF 3