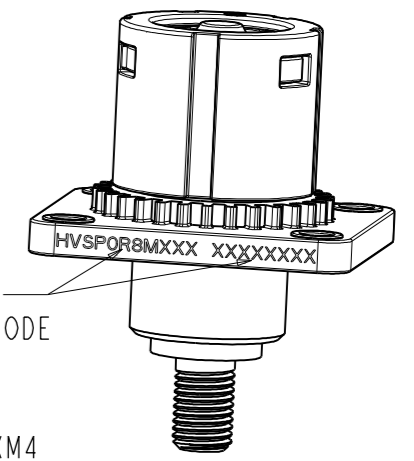
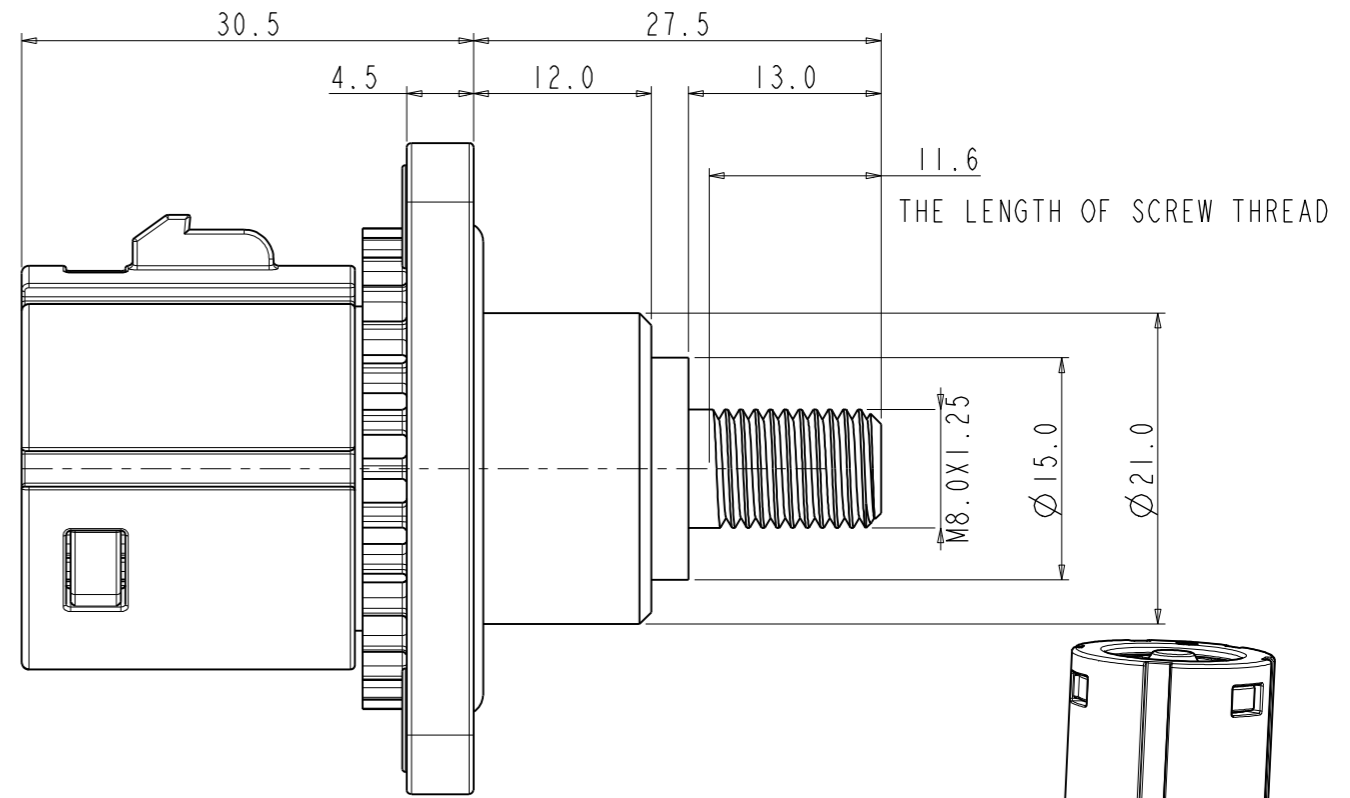
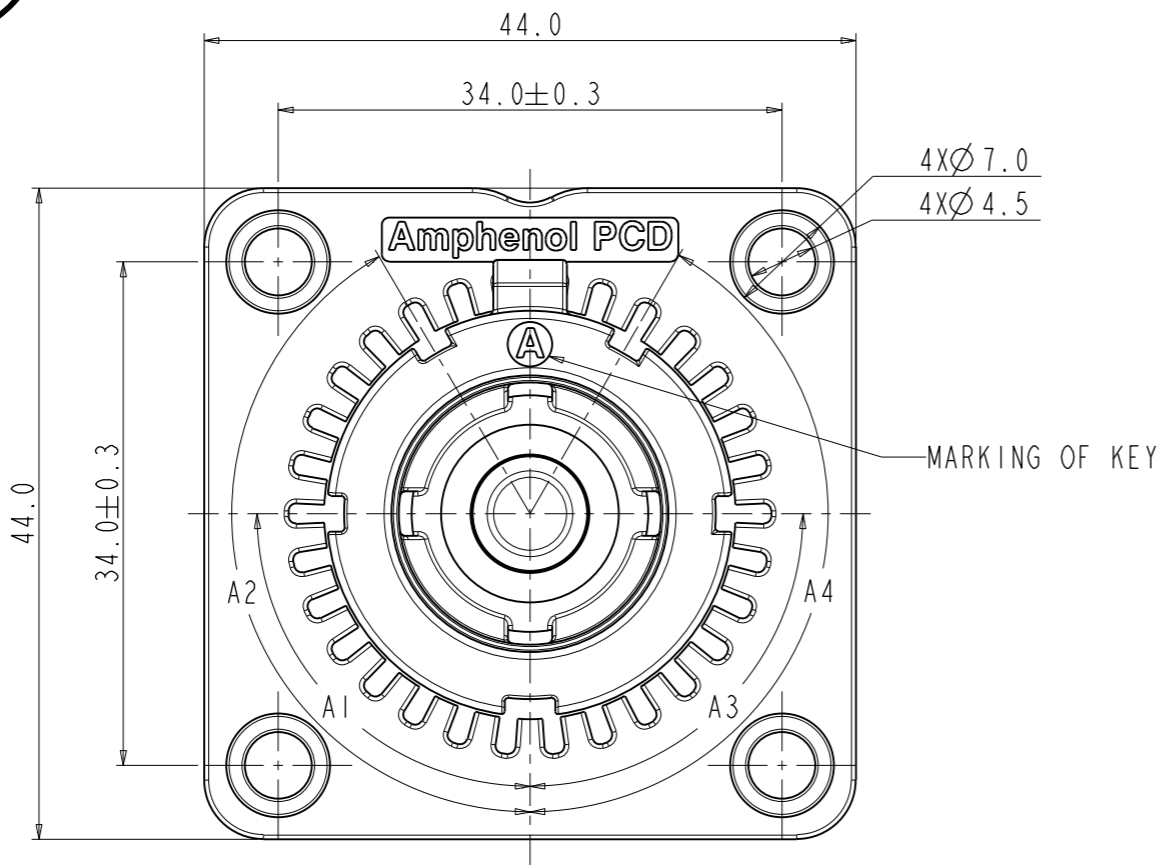


C-HVSPOR8MTXX

REV	ECN	DESCRIPTION	DATE	MODIFIED
A		FIRST RELEASE	Jun-17-2015	.
B	R4066N	ADJUST THE TORQUE	Apr-08-2020	.
C	C5607N	UPGRADE THE RATING VOLTAGE	Jun-27-2022	.

ORIGINAL
PDF Format
R&D



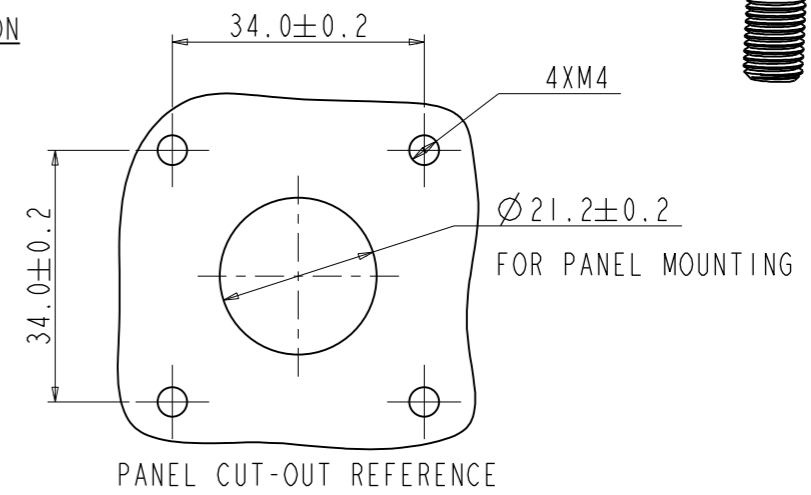
- NOTE:
1. FLANGE MATCHING SCREW IS M4 SUGGEST THE LOCKING TORQUE IS 1.2N.M
 2. CONTACT MATCHING SCREW IS M8X1.25 SUGGEST THE LOCKING TORQUE IS 13.4N.M
 3. RoHS&REACH COMPLIANCE
 4. PART NUMBER DESCRIPTION: HVSPOR8MT X X

KEY OF CODING OPTION | COLOR OF CODING OPTION

PART NO.	A1	A2	A3	A4
A	90°	150°	90°	150°
B	90°	120°	90°	120°
C	120°	150°	120°	150°
D	120°	150°	90°	150°
E	90°	150°	120°	150°

N/A=ORANGE
B=BLACK

PRINTING CONTENT:
P/N+TRACEABILITY CODE



TECHNICAL DATA		REMARK
CURRENT RATE (50MM ² CABLE)	UP TO 180A	+
CURRENT RATE (35MM ² CABLE)	UP TO 150A	+
RATING VOLTAGE (OVERVOLTAGE CATEGORY II POLLUTION DEGREE 2)	1500V DC	+ △
OPERATING TEMPERATURE	-40~125°C	
DIELECTRIC WITHSTANDING VOLTAGE	4000V AC(RMS)	+ △
INSULATION RESISTANCE	200MΩ MIN. 25°C, NO CABLE	+
DURABILITY	50 CYCLES	◎
SHIELDING	NO	
WATERPROOF (MATED CONDITION)	IP 67	+
AMBIENT TEMPERATURE	-40~70°C	
PROTECTION LEVEL	IP2XB	+
RoHS&REACH	YES	+

DIMENSIONS	TOLERANCES	PROJECTION	TITLE	
ANSI Y14.5M UNITS: MM Pro/E FILE	X ±0.5 XX ±0.05 ANGLES ±2°		Amphenol PCD Shenzhen	
ORIGINAL	THIS DOCUMENT CONTAINS PROPRIETARY INFORMATION WHICH IS THE CONFIDENTIAL PROPERTY OF Amphenol PCD Shenzhen Co. Ltd RESERVES THE RIGHT TO CLARIFY THIS DRAWING		ENGR	JUN-17-2015
			CHKD	
			APPD	
			SIZE	DWG NO.
			A3	C-HVSPOR8MTXX
			REV	C
			CODE: 58982	SCALE: 2:1
			SHEET 1	OF 1

C-HVSPOR8MTXX

C-HVSPOR8MTXX