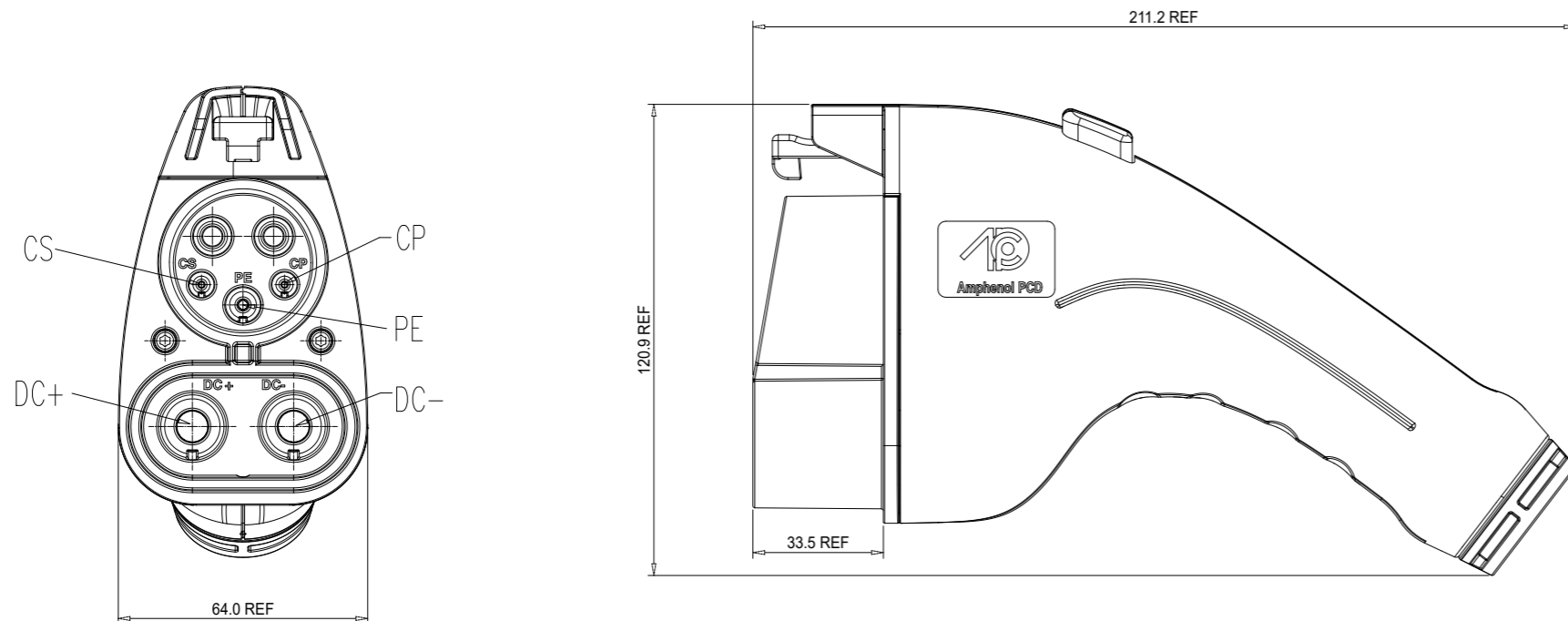


Amphenol PCD SZ
ORIGINAL
PDF Format
R&D

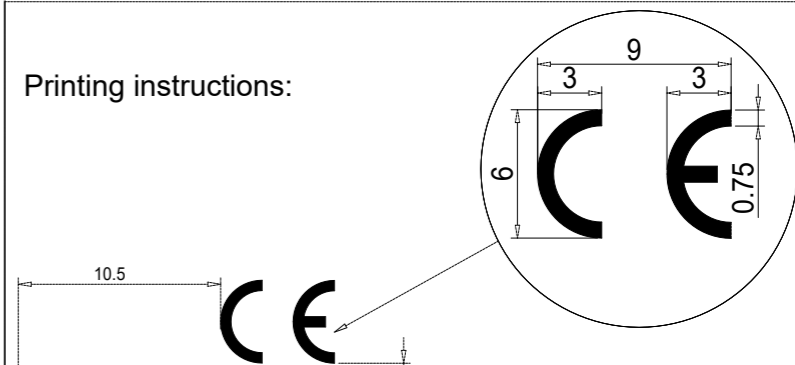
| REV | ECN | DESCRIPTION | DATE | MODIFIED |
|-----|--------|---------------------------------------|----------|----------|
| 1 | C6644N | RELEASE | 08/23/23 | |
| 2 | C7526N | ADD SEAL PART NUMBER IN EXPLODED VIEW | 07/03/24 | |



Product model/产品型号:
C-HVCOSAEMDXXAXL0000

P: Temperature Sensor:PT1000
N: Temperature Sensor:NTC
80A
65A
40A

Printing instructions:

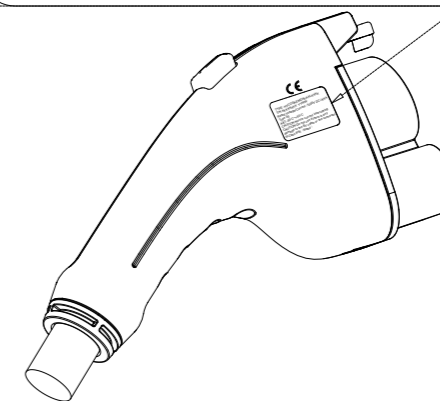


TYPE: HVCOSAEMDXXAXLXXXX
T/N:XXXXXXXX (YYWW)
Rated Voltage/Current : 1000V DC / XXXA
Type 3S
A&T: -30°C~+50°C
CAUTION: Not for current interrupting
CAUTION: Do not use if there is any damage to the EV cable or the connector
IP-Class: IP55 (Mated)

TEMPERATURE SENSOR (P/ N)

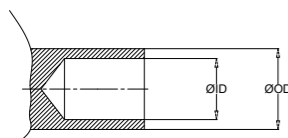
ELECTRIC CURRENT 80A/65A/40A

YYWW (YEAR WEEK)



HVCOSAEMD80ANL0000/HVCOSAEMD80APL0000 (Remark: "N"=NTC, "P"=PT1000)

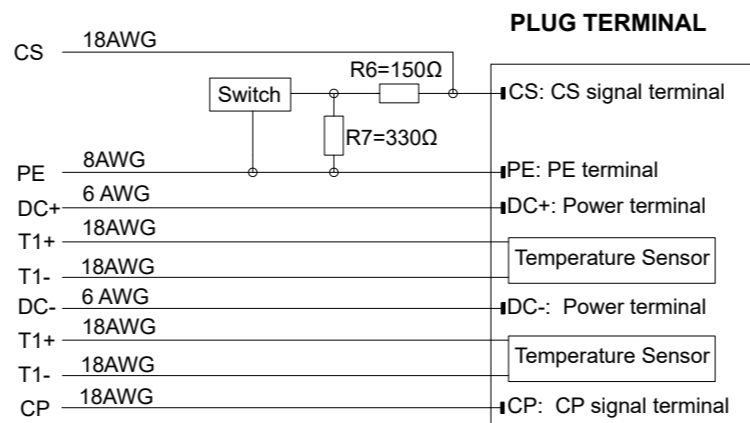
Terminal crimp hole size
(See Table 1):



| | ID(±0.1) | OD(±0.1) |
|-------------|----------|----------|
| DC TERMINAL | 5.8 | 8.5 |
| PE TERMINAL | 4.8 | 6.8 |
| CS TERMINAL | 2.3 | 3.9 |
| CP TERMINAL | 1.75 | 3.0 |

Table 1

Terminal and cable definition:



| Technical Data: | | |
|------------------------|-----------------------------|--------|
| Rated Current: | CS/CP:2A | + |
| | DC+/DC-:80A @50°C | + |
| Rated Voltage: | CS/CP:30V | + |
| | DC+/DC-:1000V DC @50°C | + |
| Withstanding Voltage: | CS/CP:500V AC | + |
| | DC+/DC-:3000V AC | + |
| Insulation Resistance: | 100MΩ Min | + |
| Contact Resistance: | 0.35 Milliohms Max | + |
| Durability: | 10000 Cycles | ○ |
| IP-Class: | Type 3S(Mated) | ○ |
| Ambient Temperature: | -30°C~+50°C | |
| Cable outer diameter | 23.8±0.2mm | |
| Housing material: | PC(Black) | |
| Type of sensor: | PT1000/NTC | |
| Contact material : | Copper alloy.Silver plating | |
| DESCRIPTION | PARAMETER | SYMBOL |

| DIMENSIONS | TOLERANCES | PROJECTION | Amphenol PCD Shenzhen | |
|-------------|--|------------|-----------------------|----------|
| ANSI Y14.5M | X ±0.5 | | ENGR | |
| UNITS: MM | .XX ±0.30 | | | |
| CAD FILE | ANGLES ±2° | | | 03/02/23 |
| ORIGINAL | THIS DOCUMENT CONTAINS PROPRIETARY INFORMATION WHICH IS THE CONFIDENTIAL PROPERTY OF Amphenol PCD Shenzhen Co. Ltd Amphenol PCD Shenzhen Co. Ltd RESERVES THE RIGHT TO CLARIFY THIS DRAWING | | CHKD | |
| | | | APPD | |

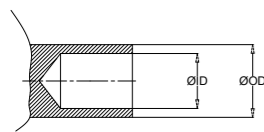
| TITLE | | | | |
|----------------|----------------------|--------|--|--|
| SAE Combo Plug | | | | |
| SIZE | DWG NO. | REV | | |
| A3 | C-HVCOSAEMDXXAXL0000 | 2 | | |
| SCALE | | SHEET | | |
| 1:1 | | 1 OF 3 | | |

C-HVCOSAEMDXXAXL0000

C-HVCOSAEMDXXAXL0000

HVCOSAEMD65ANL0000/HVCOSAEMD65APL0000(Remark:"N"=NTC,"P"=PT1000)

Terminal crimp hole size
(See Table 1):



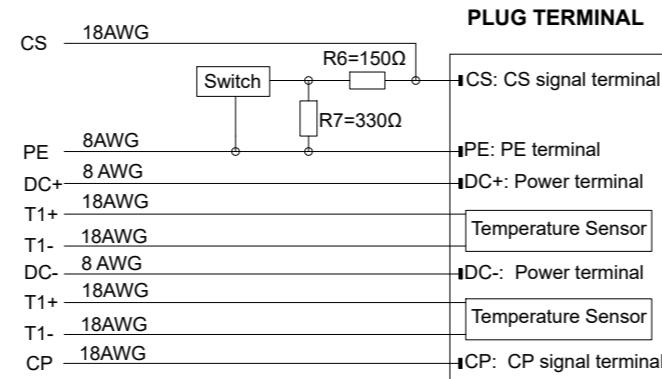
| | ID(±0.1) | OD(±0.1) |
|-------------|----------|----------|
| DC TERMINAL | 4.8 | 6.8 |
| PE TERMINAL | 4.8 | 6.8 |
| CS TERMINAL | 2.3 | 3.9 |
| CP TERMINAL | 1.75 | 3.0 |

Table 1

Technical Data:

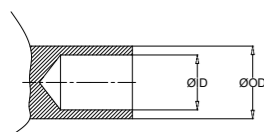
| | | |
|------------------------|-----------------------------|--------|
| Rated Current: | CS/CP:2A | + |
| | DC+/DC-:65A @50°C | + |
| Rated Voltage: | CS/CP:30V | + |
| | DC+/DC-:1000V DC @50°C | + |
| Withstanding Voltage: | CS/CP:500V AC | + |
| | DC+/DC-:3000V AC | + |
| Insulation Resistance: | 100MΩ Min | + |
| Contact Resistance: | 0.35 Milliohms Max | + |
| Durability: | 10000 Cycles | ○ |
| IP-Class: | Type 3S(Mated) | ○ |
| Ambient Temperature: | -30°C~+50°C | |
| Cable outer diameter | 23.8±0.2mm | |
| Housing material: | PC(Black) | |
| Type of sensor: | PT1000/NTC | |
| Contact material : | Copper alloy.Silver plating | |
| DESCRIPTION | PARAMETER | SYMBOL |

Terminal and cable definition:



HVCOSAEMD40ANL0000/HVCOSAEMD40APL0000(Remark:"N"=NTC,"P"=PT1000)

Terminal crimp hole size
(See Table 1):



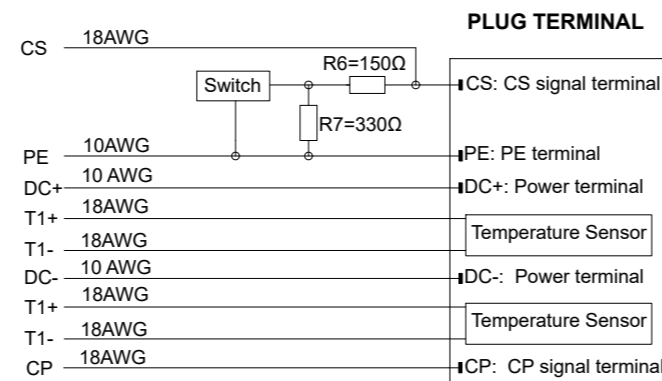
| | ID(±0.1) | OD(±0.1) |
|-------------|----------|----------|
| DC TERMINAL | 3.5 | 5.5 |
| PE TERMINAL | 3.5 | 5.5 |
| CS TERMINAL | 2.3 | 3.9 |
| CP TERMINAL | 1.75 | 3.0 |

Table 1

Technical Data:

| | | |
|------------------------|-----------------------------|--------|
| Rated Current: | CS/CP:2A | + |
| | DC+/DC-:40A @50°C | + |
| Rated Voltage: | CS/CP:30V | + |
| | DC+/DC-:1000V DC @50°C | + |
| Withstanding Voltage: | CS/CP:500V AC | + |
| | DC+/DC-:3000V AC | + |
| Insulation Resistance: | 100MΩ Min | + |
| Contact Resistance: | 0.35 Milliohms Max | + |
| Durability: | 10000 Cycles | ○ |
| IP-Class: | Type 3S(Mated) | ○ |
| Ambient Temperature: | -30°C~+50°C | |
| Cable outer diameter | 19.5±0.2mm | |
| Housing material: | PC(Black) | |
| Type of sensor: | PT1000/NTC | |
| Contact material : | Copper alloy.Silver plating | |
| DESCRIPTION | PARAMETER | SYMBOL |

Terminal and cable definition:



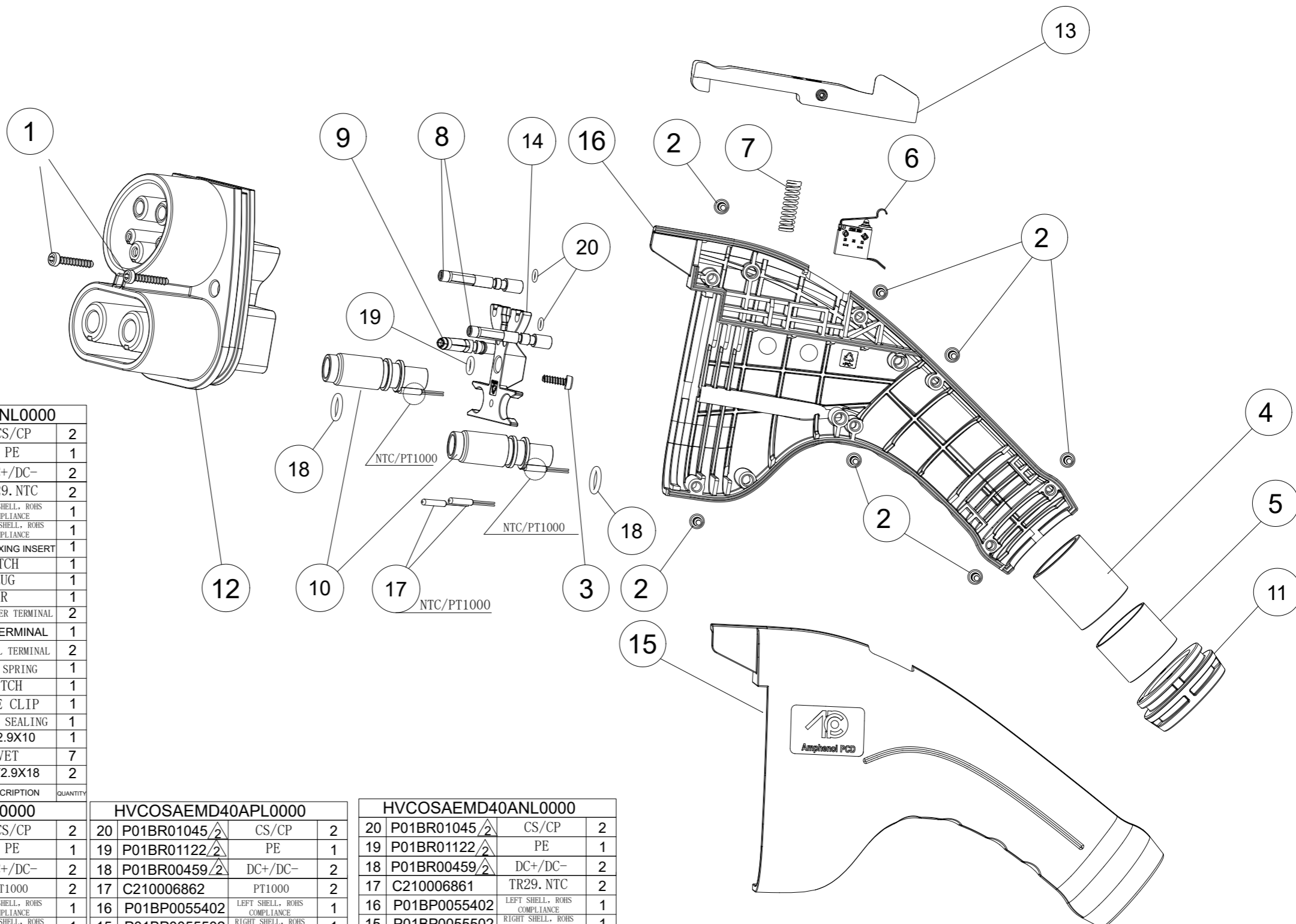
| SIZE | DWG NO. | REV |
|-----------|----------------------|--------------|
| A3 | C-HVCOSAEMDXXAXL0000 | 2 |
| SCALE 1:1 | | SHEET 2 OF 3 |

C-HVCOSAEMDXXAXL0000

C-HVCOSAEMDXXAXL0000

HVCOSAEMDXXAXL0000

C-HVCOSAEMDXXAXL0000



| HVCOSAEMD80ANL0000 | | | | HVCOSAEMD65ANL0000 | | | |
|--------------------|--------------|------------------------------|----------|--------------------|--------------|------------------------------|----------|
| NO | P/N | DESCRIPTION | QUANTITY | NO | P/N | DESCRIPTION | QUANTITY |
| 20 | P01BR01045 | CS/CP | 2 | 20 | P01BR01045 | CS/CP | 2 |
| 19 | P01BR01122 | PE | 1 | 19 | P01BR01122 | PE | 1 |
| 18 | P01BR00459 | DC+/DC- | 2 | 18 | P01BR00459 | DC+/DC- | 2 |
| 17 | C210006861 | TR29. NTC | 2 | 17 | C210006861 | TR29. NTC | 2 |
| 16 | P01BP0055401 | LEFT SHELL, ROHS COMPLIANCE | 1 | 16 | P01BP0055401 | LEFT SHELL, ROHS COMPLIANCE | 1 |
| 15 | P01BP0055501 | RIGHT SHELL, ROHS COMPLIANCE | 1 | 15 | P01BP0055501 | RIGHT SHELL, ROHS COMPLIANCE | 1 |
| 14 | P01BP00557 | DC FIXING INSERT | 1 | 14 | P01BP00557 | DC FIXING INSERT | 1 |
| 13 | P01BP00558 | LATCH | 1 | 13 | P01BP00558 | LATCH | 1 |
| 12 | P01BP00559 | PLUG | 1 | 12 | P01BP00559 | PLUG | 1 |
| 11 | P01BP0056601 | SR | 1 | 11 | P01BP0056601 | SR | 1 |
| 10 | P01BM0110601 | DCPOWER TERMINAL | 2 | 10 | P01BM0110602 | DCPOWER TERMINAL | 2 |
| 9 | P01BM0110701 | PE TERMINAL | 1 | 9 | P01BM0110701 | PE TERMINAL | 1 |
| 8 | P01BM0110801 | SIGNAL TERMINAL | 2 | 8 | P01BM0110801 | SIGNAL TERMINAL | 2 |
| 7 | P01BN01068 | HOOK SPRING | 1 | 7 | P01BN01068 | HOOK SPRING | 1 |
| 6 | P01BN00946 | SWITCH | 1 | 6 | P01BN00946 | SWITCH | 1 |
| 5 | P01BM0114201 | WIRE CLIP | 1 | 5 | P01BM0114201 | WIRE CLIP | 1 |
| 4 | P01BR0043201 | WIRE SEALING | 1 | 4 | P01BR0043202 | WIRE SEALING | 1 |
| 3 | C210006302 | ST2.9X10 | 1 | 3 | C210006302 | ST2.9X10 | 1 |
| 2 | P01BN00763 | RIVET | 7 | 2 | P01BN00763 | RIVET | 7 |
| 1 | C210006300-N | ST2.9X18 | 2 | 1 | C210006300-N | ST2.9X18 | 2 |

| HVCOSAEMD80APL0000 | | | | HVCOSAEMD65APL0000 | | | | HVCOSAEMD40APL0000 | | | | HVCOSAEMD40ANL0000 | | | |
|--------------------|--------------|------------------------------|----------|--------------------|--------------|------------------------------|----------|--------------------|--------------|------------------------------|----------|--------------------|--------------|------------------------------|----------|
| NO | P/N | DESCRIPTION | QUANTITY | NO | P/N | DESCRIPTION | QUANTITY | NO | P/N | DESCRIPTION | QUANTITY | NO | P/N | DESCRIPTION | QUANTITY |
| 20 | P01BR01045 | CS/CP | 2 | 20 | P01BR01045 | CS/CP | 2 | 20 | P01BR01045 | CS/CP | 2 | 20 | P01BR01045 | CS/CP | 2 |
| 19 | P01BR01122 | PE | 1 | 19 | P01BR01122 | PE | 1 | 19 | P01BR01122 | PE | 1 | 19 | P01BR01122 | PE | 1 |
| 18 | P01BR00459 | DC+/DC- | 2 | 18 | P01BR00459 | DC+/DC- | 2 | 18 | P01BR00459 | DC+/DC- | 2 | 18 | P01BR00459 | DC+/DC- | 2 |
| 17 | C210006862 | PT1000 | 2 | 17 | C210006862 | PT1000 | 2 | 17 | C210006862 | PT1000 | 2 | 17 | C210006861 | TR29. NTC | 2 |
| 16 | P01BP0055401 | LEFT SHELL, ROHS COMPLIANCE | 1 | 16 | P01BP0055401 | LEFT SHELL, ROHS COMPLIANCE | 1 | 16 | P01BP0055402 | LEFT SHELL, ROHS COMPLIANCE | 1 | 16 | P01BP0055402 | LEFT SHELL, ROHS COMPLIANCE | 1 |
| 15 | P01BP0055501 | RIGHT SHELL, ROHS COMPLIANCE | 1 | 15 | P01BP0055501 | RIGHT SHELL, ROHS COMPLIANCE | 1 | 15 | P01BP0055502 | RIGHT SHELL, ROHS COMPLIANCE | 1 | 15 | P01BP0055502 | RIGHT SHELL, ROHS COMPLIANCE | 1 |
| 14 | P01BP00557 | DC FIXING INSERT | 1 | 14 | P01BP00557 | DC FIXING INSERT | 1 | 14 | P01BP00557 | DC FIXING INSERT | 1 | 14 | P01BP00557 | DC FIXING INSERT | 1 |
| 13 | P01BP00558 | LATCH | 1 | 13 | P01BP00558 | LATCH | 1 | 13 | P01BP00558 | LATCH | 1 | 13 | P01BP00558 | LATCH | 1 |
| 12 | P01BP00559 | PLUG | 1 | 12 | P01BP00559 | PLUG | 1 | 12 | P01BP00559 | PLUG | 1 | 12 | P01BP00559 | PLUG | 1 |
| 11 | P01BP0056601 | SR | 1 | 11 | P01BP0056601 | SR | 1 | 11 | P01BP0056602 | SR | 1 | 11 | P01BP0056602 | SR | 1 |
| 10 | P01BM0110601 | DCPOWER TERMINAL | 2 | 10 | P01BM0110602 | DCPOWER TERMINAL | 2 | 10 | P01BM0110603 | DCPOWER TERMINAL | 2 | 10 | P01BM0110603 | DCPOWER TERMINAL | 2 |
| 9 | P01BM0110701 | PE TERMINAL | 1 | 9 | P01BM0110701 | PE TERMINAL | 1 | 9 | P01BM0110702 | PE TERMINAL | 1 | 9 | P01BM0110702 | PE TERMINAL | 1 |
| 8 | P01BM0110801 | SIGNAL TERMINAL | 2 | 8 | P01BM0110801 | SIGNAL TERMINAL | 2 | 8 | P01BM0110801 | SIGNAL TERMINAL | 2 | 8 | P01BM0110801 | SIGNAL TERMINAL | 2 |
| 7 | P01BN01068 | HOOK SPRING | 1 | 7 | P01BN01068 | HOOK SPRING | 1 | 7 | P01BN01068 | HOOK SPRING | 1 | 7 | P01BN01068 | HOOK SPRING | 1 |
| 6 | P01BN00946 | SWITCH | 1 | 6 | P01BN00946 | SWITCH | 1 | 6 | P01BN00946 | SWITCH | 1 | 6 | P01BN00946 | SWITCH | 1 |
| 5 | P01BM0114201 | WIRE CLIP | 1 | 5 | P01BM0114201 | WIRE CLIP | 1 | 5 | P01BM0114202 | WIRE CLIP | 1 | 5 | P01BM0114202 | WIRE CLIP | 1 |
| 4 | P01BR0043201 | WIRE SEALING | 1 | 4 | P01BR0043202 | WIRE SEALING | 1 | 4 | P01BR0043203 | WIRE SEALING | 1 | 4 | P01BR0043203 | WIRE SEALING | 1 |
| 3 | C210006302 | ST2.9X10 | 1 | 3 | C210006302 | ST2.9X10 | 1 | 3 | C210006302 | ST2.9X10 | 1 | 3 | C210006302 | ST2.9X10 | 1 |
| 2 | P01BN00763 | RIVET | 7 | 2 | P01BN00763 | RIVET | 6 | 2 | P01BN00763 | RIVET | 7 | 2 | P01BN00763 | RIVET | 7 |
| 1 | C210006300-N | ST2.9X18 | 2 | 1 | C210006300-N | ST2.9X18 | 2 | 1 | C210006300-N | ST2.9X18 | 2 | 1 | C210006300-N | ST2.9X18 | 2 |

| | | |
|-------|----------------------|--------|
| SIZE | DWG NO. | REV |
| A3 | C-HVCOSAEMDXXAXL0000 | 2 |
| SCALE | | SHEET |
| N/A | | 3 OF 3 |