

REV	ECN	DESCRIPTION	DATE	MODIFIED
1		PRE-RELEASE	2021.12.07	
2	R6051W	UPDATED MARKING AND IDENTIFIER	Jan-10-22	
3	R6627W	ADDED UKCA IDENTIFIER	Oct-31-22	

Amphenol PCD SZ
ORIGINAL
PDF Format
R&D

Identifier for vehicle connector:
Comply with EN17186
Position:

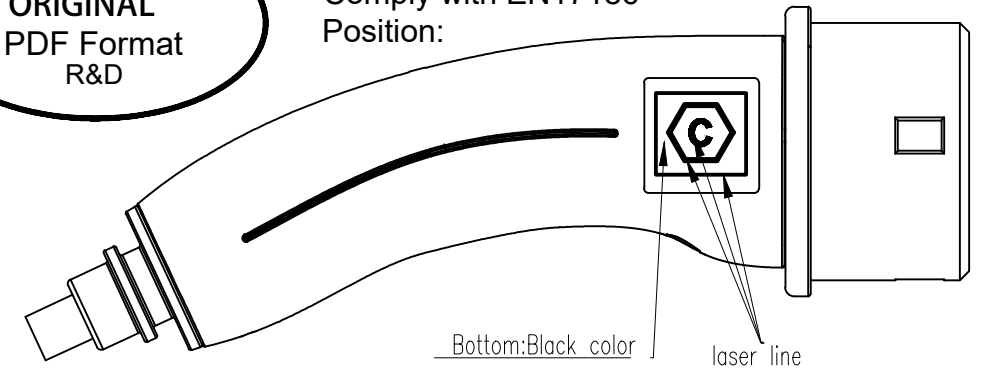
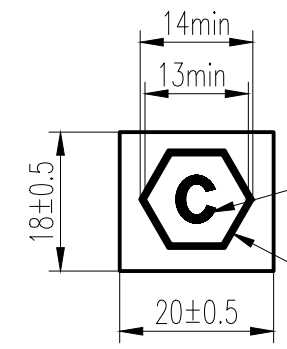


Photo see below:

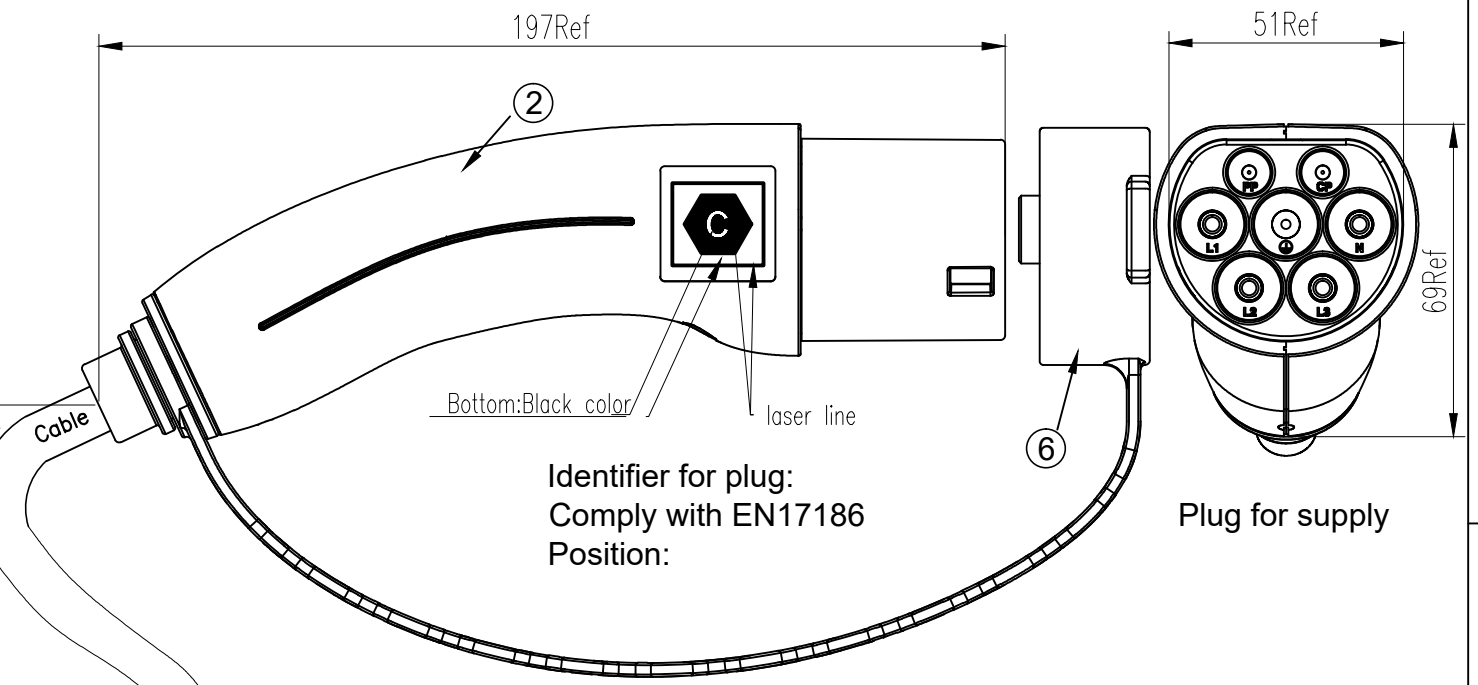
Size see below:



"C"
Place in the middle of hexagon
Font: Arial Bold, Size:5mm min
Line thickness:0.5mm min

197Ref

51Ref

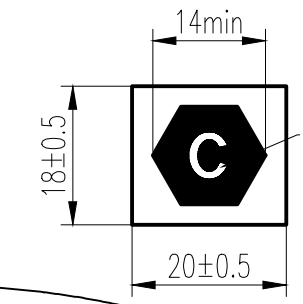


Identifier for plug:
Comply with EN17186
Position:

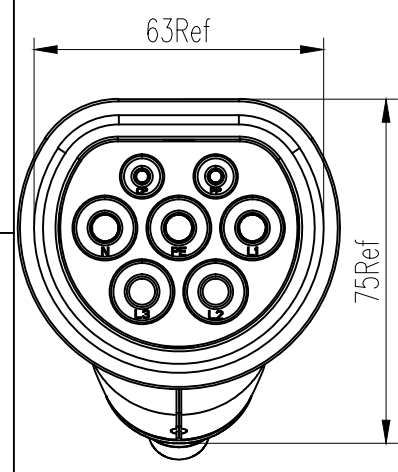
Plug for supply

Photo see below:

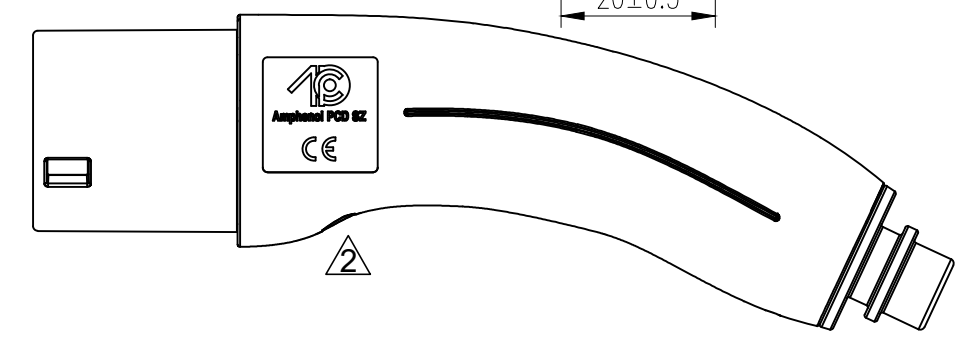
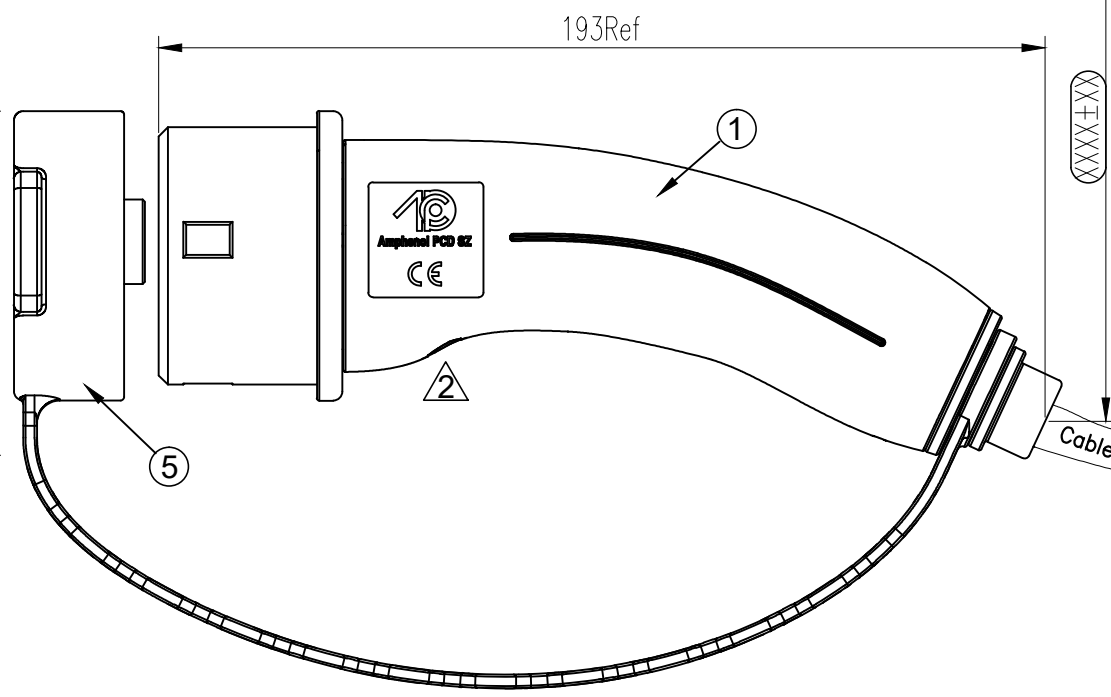
Size see below:



"C"
Place in the middle of hexagon
Font: Arial Bold, Size:5mm min



Vehicle connector

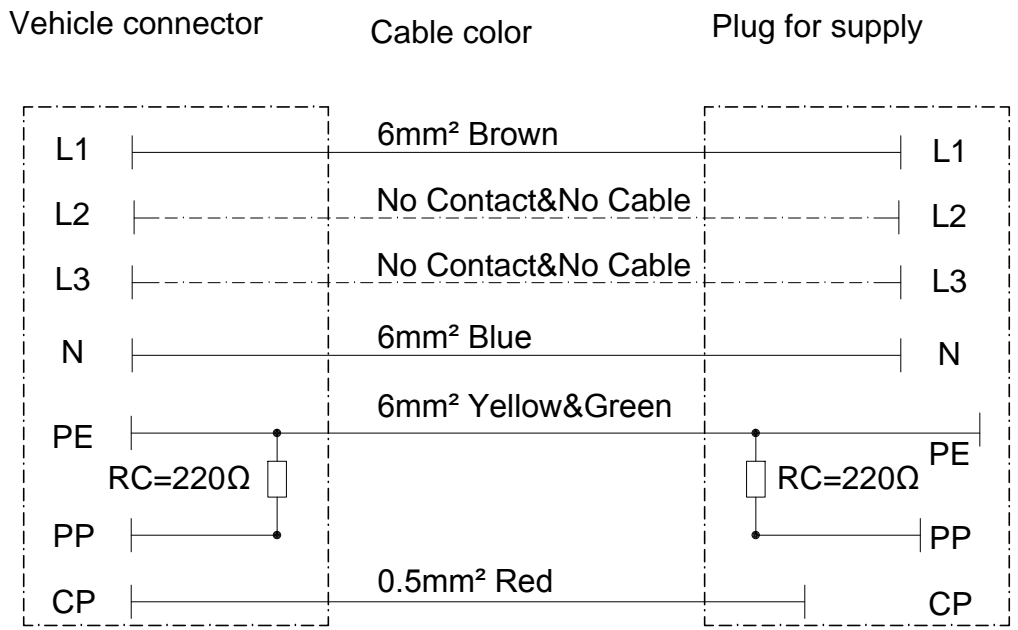


DIMENSIONS	TOLERANCES	PROJECTION	TITLE		
ANSI Y14.5M UNITS: MM	.X ± 0.5 .XX ±0.05 ANGLES ±2.0°		IEC CHARGING COUPLER 32A, SINGLE PHASE CABLE ASSEMBLY-POTTING		
ORIGINAL	THIS DOCUMENT CONTAINS PROPRIETARY INFORMATION WHICH IS THE CONFIDENTIAL PROPERTY OF Amphenol PCD Shenzhen Co. Ltd Amphenol PCD Shenzhen Co. Ltd RESERVES THE RIGHT TO CLARIFY THIS DRAWING	<p>Amphenol PCD Shenzhen</p> <p>ENGR Jan-10-2022</p> <p>CHKD</p> <p>APPD</p>	SIZE	DWG NO.	REV
			A3	C-HVCOIMBSCR6PF506LXXXX	3
			SCALE	SHEET	
			NA	1 OF 2	

C-HVCOIMBSCR6PF506LXXXX

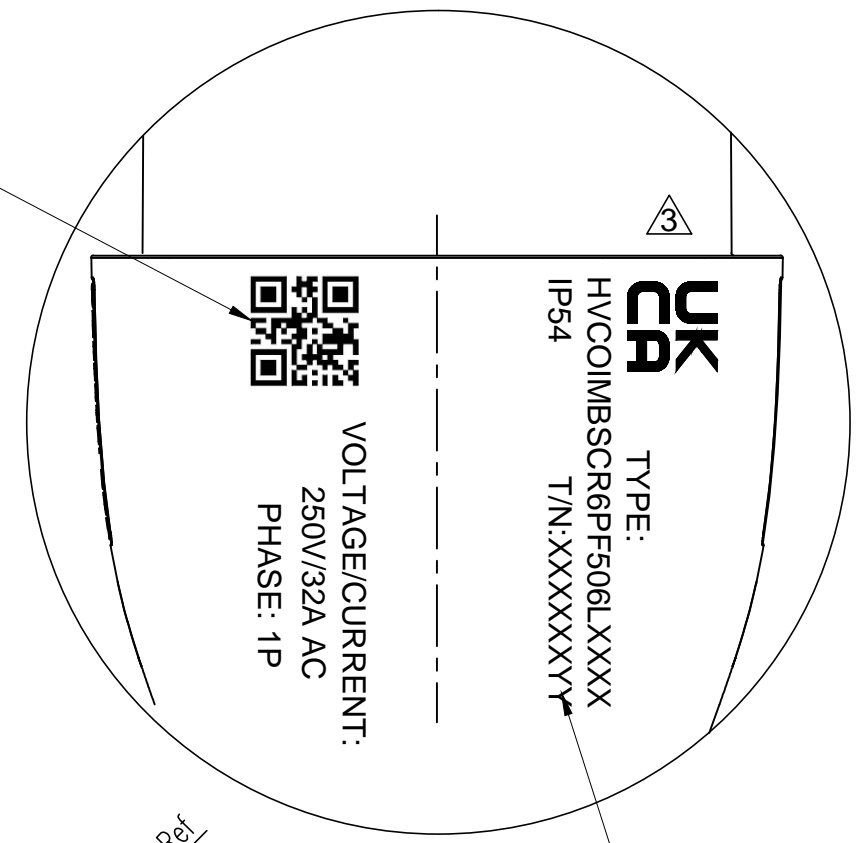
C-HVCOIMBSCR6PF506LXXXX

MODE OF CONNECTION



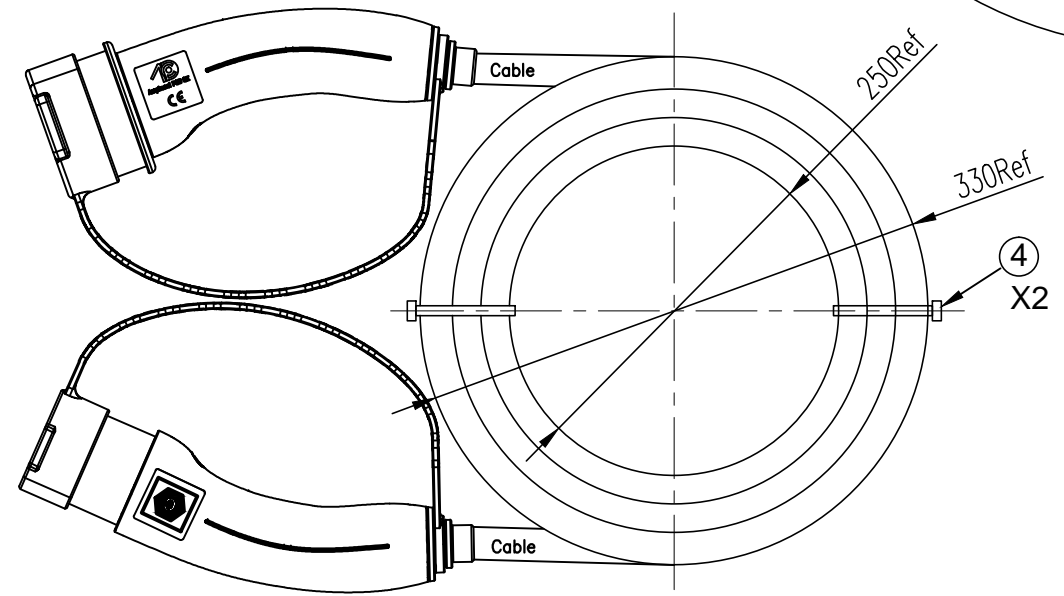
⚠ Laser Marking On Vehicle & Stake Plug
QR code only in Vehicle connector end

QR code, content including:
Part number
+Product order number
+ Serial number ex:0001



Product order number + batch number

COILING SIZE



*Notes:

- Cable assembly data:
 - Rated Voltage:250V AC(L1 &N&PE),30V DC(PP&CP);
 - Rated Current:32A Max(L1&N),2A Max(PP&CP);
 - Insulation Resistance:100MΩ Min;
 - Dielectric Withstand Voltage :2000V/AC r.m.s;
 - IP-Class:IP54(with CAP fitted) IP55(when mated) IP67 for enclosure;
- Durability:10000 cycles;
- Comply With RoHS;
- Ambient Temperature: -30°C ~ +50°C;
- Connector reference: C-HVCOIMBR6PF506L0000
C-HVCOIMBSR6PF506L0000;
- Reference: IEC 62196-2;
- Identifier based on EN17186;
- Minimum bending radius:128mm;
- HVCOIMBSCR6PF506LXXXX

Length(mm)	Tolerance
0~1000	±50
1001~5000	±100
>5000	±200

ITEM	P/N	DESCRIPTION	QTY	UNIT
⑥	P01BP00366	DUST CAP FOR PLUG, BLACK	1	EA
⑤	P01BP00382	DUST CAP FOR VEHICLE CONNECTOR, BLACK	1	EA
④	P05C000011	CABLE TIE BLACK	2	EA
③	CABLE	3C*6mm ² +1C*0.5mm ² BK OD=12.8±0.4	AR	m
②	HVCOIMBSR6PF506L0000	PLUG FOR SUPPLY, 1P,32A,BLACK	1	EA
①	HVCOIMBR6PF506L0000	VEHICLE CONNECTOR, 1P,32A,BLACK	1	EA

SIZE	DWG NO.	REV
A3	C-HVCOIMBSCR6PF506LXXXX	3
SCALE	NA	SHEET 2 OF 2

C-HVCOIMBSCR6PF506LXXXX

C-HVCOIMBSCR6PF506LXXXX