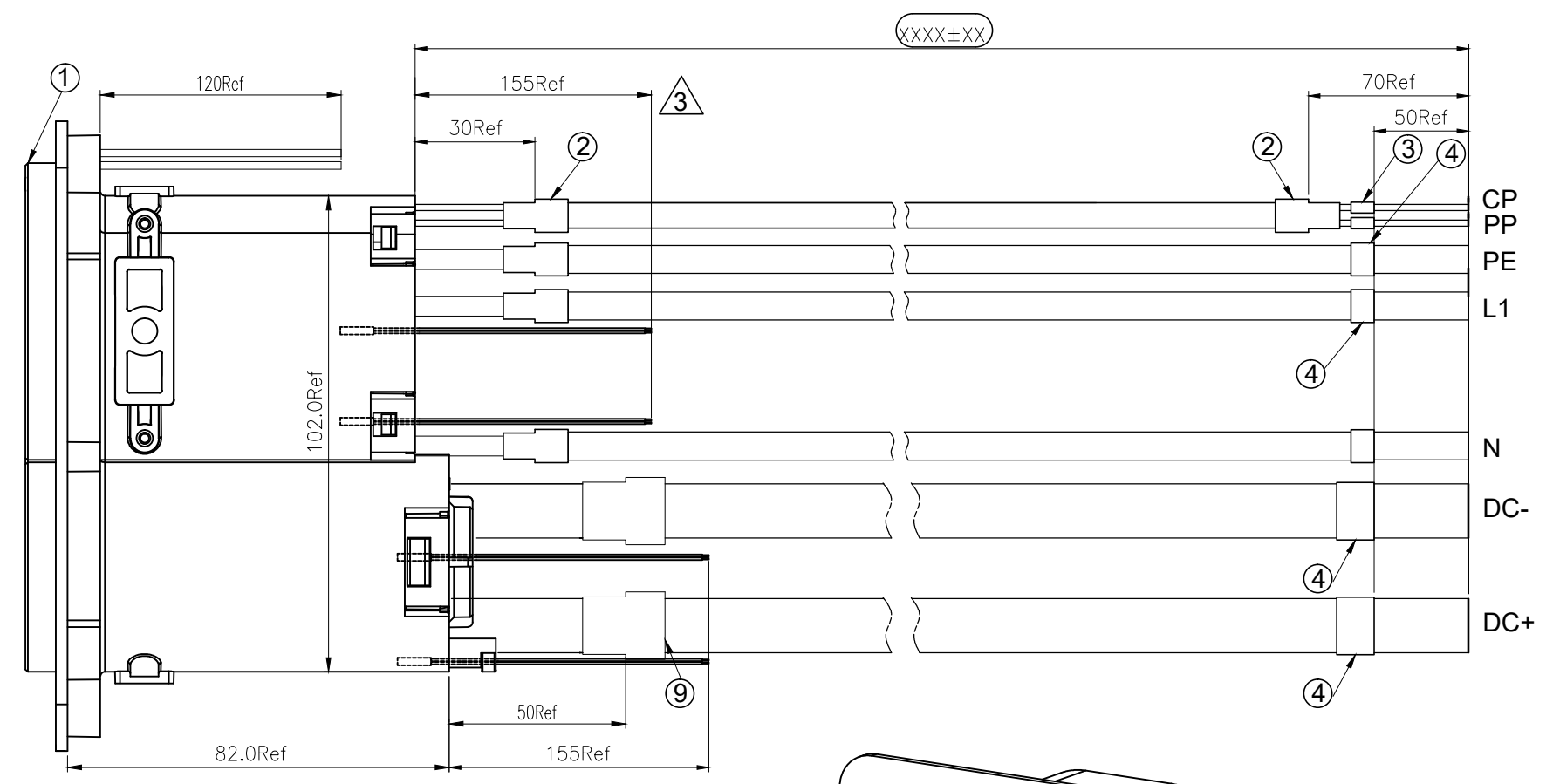
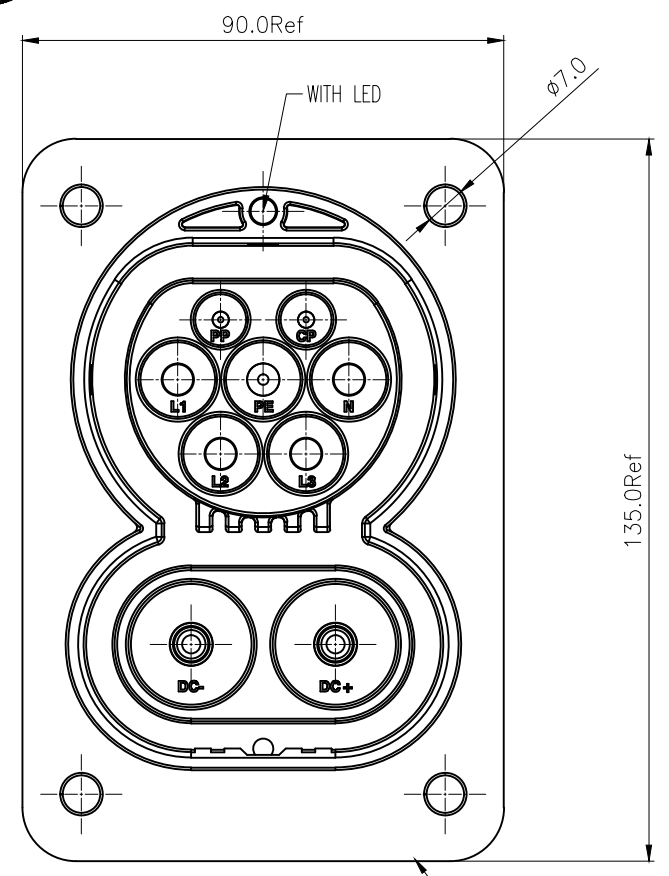
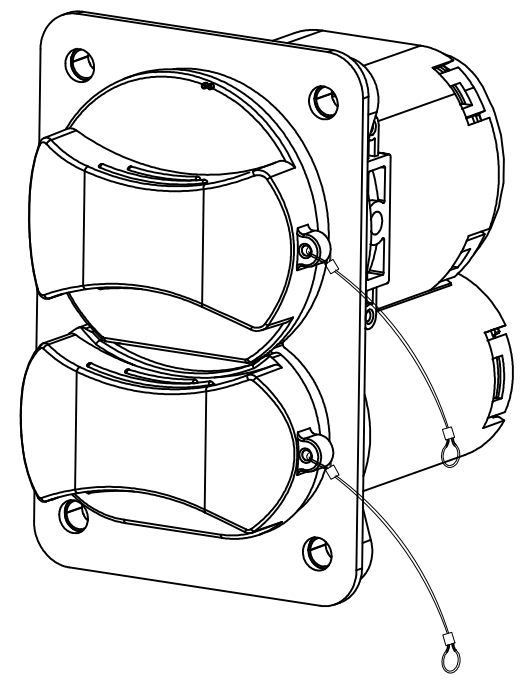
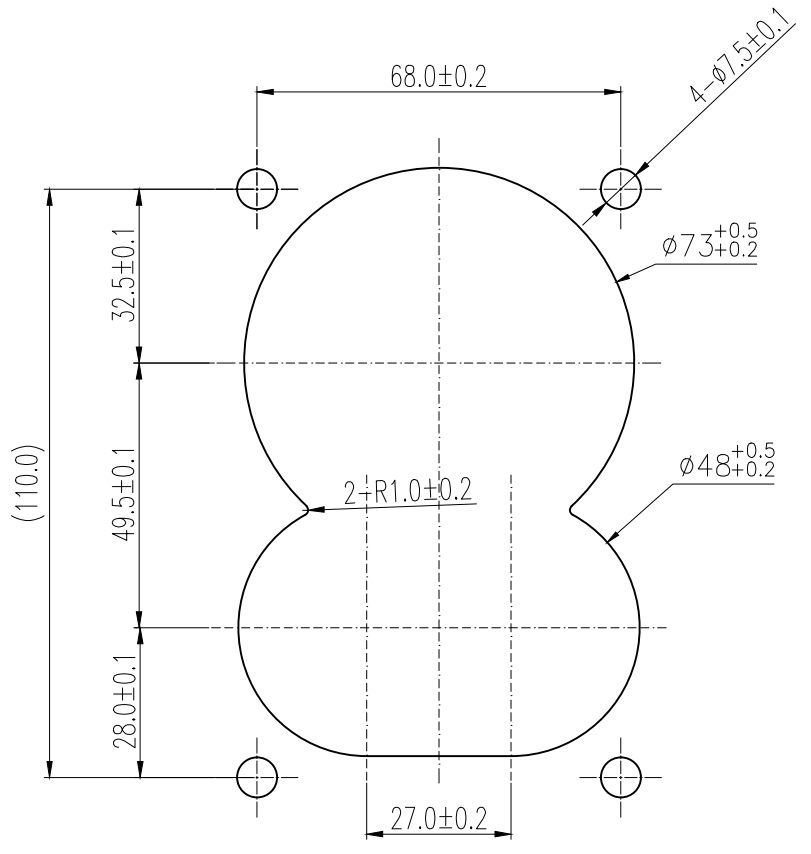


REV	ECN	DESCRIPTION	DATE	MODIFIED
1		PRE-RELEASE	2018-04-13	
2	C3485W	3-IVb CHANGED TO 3-IVa	2019-07-20	
3	C5615N	ADD SENSOR ON L1&N	2021.10.28	

Amphenol PCD
ORIGINAL
PDF Format
R&D



IEC COMBO
FOR VEHICLE COUPLER SOCKET

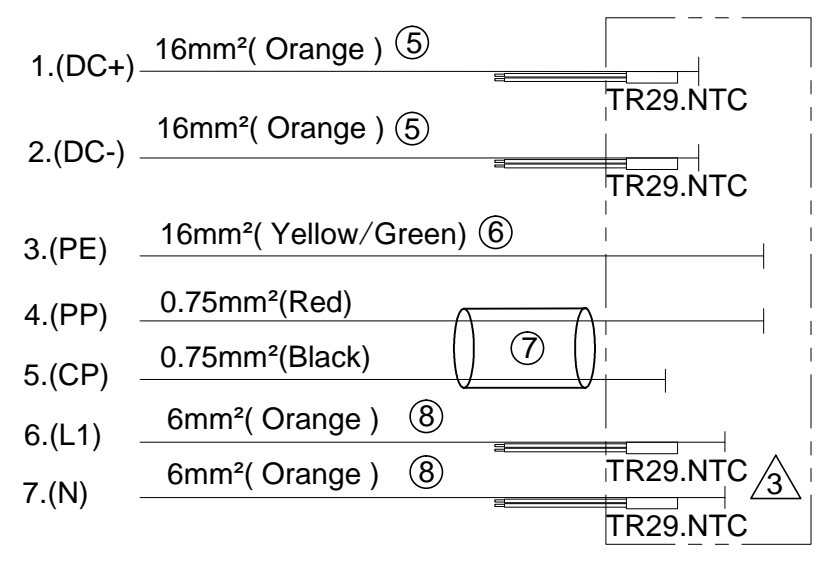


DIMENSIONS ANSI Y14.5M UNITS: MM CAD FILE	TOLERANCES .X ± 0.5 .XX ± 0.05 ANGLES ± 2.0°	PROJECTION 	Amphenol PCD Shenzhen		TITLE IEC COMBO FOR VEHICLE COUPLER SOCKET 65A CABLE ASSEMBLY		
			ENGR	2019-07-20	SIZE A3	DWG NO. C-HVCOCF6ATR8SF716LXXXX	REV 3
ORIGINAL	THIS DOCUMENT CONTAINS PROPRIETARY INFORMATION WHICH IS THE CONFIDENTIAL PROPERTY OF Amphenol PCD Shenzhen Co. Ltd Amphenol PCD Shenzhen Co. Ltd RESERVES THE RIGHT TO CLARIFY THIS DRAWING		CHKD	APPD	CODE: 58982	SCALE	SHEET 1 OF 2

C-HVCOCF6ATR8SF716LXXXX

C-HVCOCF6ATR8SF716LXXXX

CABLE CONNECT METHOD



*Notes:

- Cable assembly data:
 - Rated Voltage&Rated Current:
 - DC+:1000V DC 65A;
 - DC-:1000V DC 65A;
 - PE: 16mm² GROUND;
 - L1&N:250V AC 32A;
 - PP:30V DC 2A;
 - CP:30V DC 2A;
 - Operating Temperature:-30°C ~ +105°C;
 - Insulation Resistance:100MΩ Min/DC 500V(L1&N&PP&CP);
100MΩ Min/DC 1000V(DC+&DC-);
 - Withstand Voltage:3000V/AC r.m.s(DC+&DC-);
 - Withstand Voltage:2000V/AC r.m.s(L1&N);500V/AC r.m.s(PP&CP);
 - IP-Class(mated): IP44(IEC COMBO);
 - Durability:10000 cycles(IEC COMBO);
 - RoHS Compliance;
 - Ambient Temperature: -30°C ~ +50°C;
- Reference: C-HVCOCF6ATR8SF716L0000 ;
IEC COMBO Reference For, 62196-3;

3.HVCOCF6ATR8SF716LXXXX	LENGTH	TOLERANCE
	0~1000mm	+25 -10
	1001~5000mm	+40 -10
	>5000mm	+50 -20

ITEM	NAME	DESCRIPTION	QTY	UNIT
⑨	H.S.T	DOUBLE-WALL H.S.T: Ø12 BLACK	0.15	m
⑧	CABLE	1C*6mm ² SHIELDING ORANGE OD=7.7±0.2	AR	m
⑦	CABLE	2*0.75mm ² SHIELDING ORANGE OD=6.7±0.2	AR	m
⑥	CABLE	1C*16mm ² UNSHIELDING YELLOW/GREEN OD=8.8±0.2	AR	m
⑤	CABLE	1C*16mm ² SHIELDING ORANGE OD=11.2±0.25	AR	m
④	H.S.T	SINGLE-WALL H.S.T: Ø12.7 WHITE	0.15	m
③	H.S.T	SINGLE-WALL H.S.T: Ø3.2 WHITE	0.1	m
②	H.S.T	DOUBLE-WALL H.S.T: Ø8 BLACK	0.1	m
①	IEC COMBO	HVCOCF6ATR8SF716L0000 65A	1	EA

SIZE	DWG NO.	REV
A3	C-HVCOCF6ATR8SF716LXXXX	3
CODE:	SCALE	SHEET
58982		2 OF 2

C-HVCOCF6ATR8SF716LXXXX

C-HVCOCF6ATR8SF716LXXXX