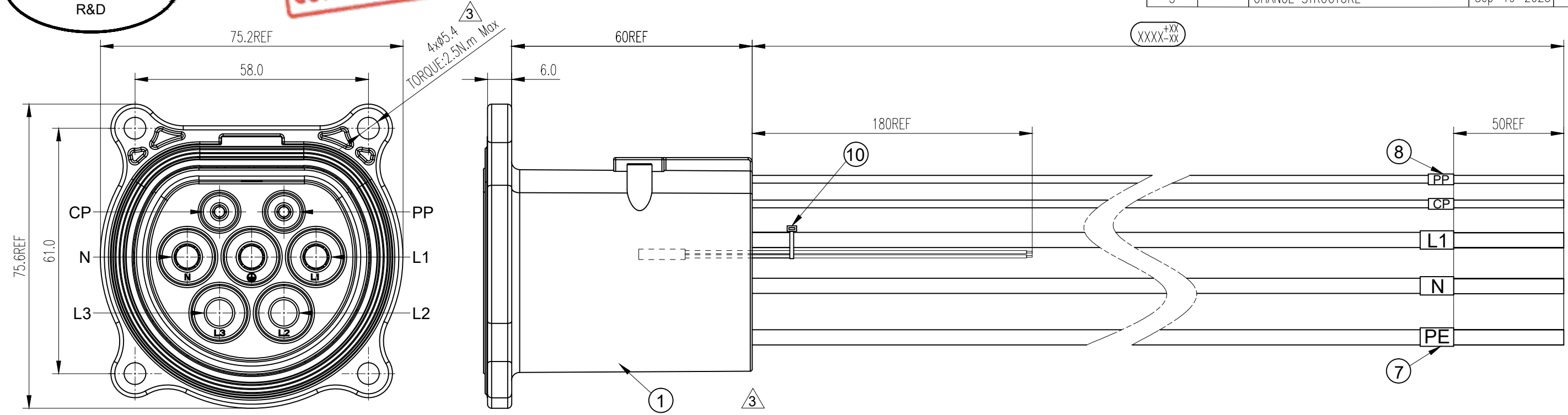


REV	ECN	DESCRIPTION	DATE	MODIFIED
1		RELEASE	May-18-2023	
2	R7113W	CHANGED HOLE FORM 7MM TO 5.4MM	Jun-09-2023	
3	R7372N-2	CHANGE STRUCTURE	Sep-19-2023	

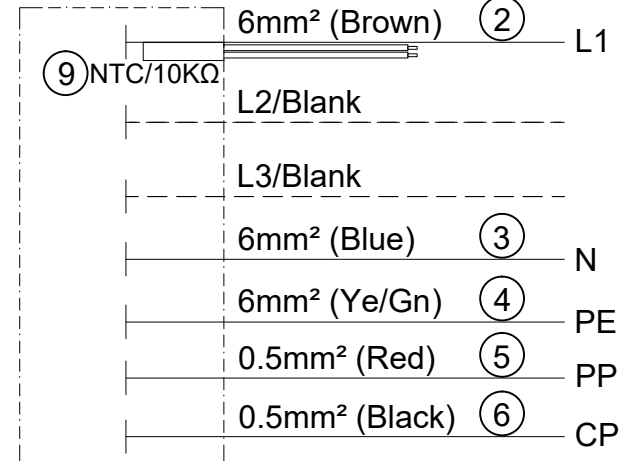
Amphenol PCD SZ
ORIGINAL
PDF Format
R&D

CONFIDENTIAL



IEC SOCKET

CABLE CONNECT METHOD



HVCOIFS506NTL XXXX

LENGTH	TOLERANCE
0~1000mm	+25 -10
1001~5000mm	+40 -10
>5000mm	+50 -20

*Notes:

- Cable assembly data:
 - Rated Voltage: 250V AC (L1&N&PE); 30V DC (CP&PP);
 - Rated Current: 32A (L1&N); 2A (CP&PP);
 - IP-Class: IP2X; IP55 (Mated)
 - Insulation Resistance: 100MΩ Min/500V DC
 - Withstand Voltage:
 - 2000V r.m.s / L1&N&PE
 - 500V r.m.s / PP&CP
 - Durability: >10000 Cycles
 - RoHS Compliance
 - Ambient Temperature: -30°C ~ +50°C
- Reference Standard IEC 62196-2; CE marking
- Connector Reference: C-P02B000306
- The cable should be fixed at 100mm max from the rear of connector
- Cable Minimum Bending Radius: ≥5OD

ITEM	P/N	DESCRIPTION	QTY	UNIT
10	C210003609	CABLE TIE W2.5*100mm BLACK	1	EA
9	P01BN00748	NTC TR29 Ø3X12 R ₂₅ = 10KΩ B _{25/50} =3950K 24AWG BLACK	1	EA
8	C210006837	H.S.T: Ø3.2 WHITE NOT MARKING	0.05	m
7	P05B000006	H.S.T: Ø6.0 WHITE NOT MARKING	0.10	m
6	C210030045	0.5mm² UNSHIELDING BLACK OD=1.6±0.1	AR	m
5	C210030046	0.5mm² UNSHIELDING RED OD=1.6±0.1	AR	m
4	C210030042	6mm² UNSHIELDING YELLOW/GREEN, XLPE OD=5.1±0.2	AR	m
3	P01BC00200	6mm² TINNED UNSHIELDING BLUE, XLPE OD=5.1±0.2	AR	m
2	P01BC00199	6mm² TINNED UNSHIELDING BROWN, XLPE OD=5.1±0.2	AR	m
1	P02B000306	IEC SOCKET-OUTLET : P02B000306 BLACK	1	EA

DIMENSIONS	TOLERANCES	PROJECTION	TITLE		
ANSI Y14.5M UNITS: MM CAD FILE	.X ± 0.5 .XX ± 0.05 ANGLES ± 2.0°		IEC SOCKET OUTLET 32A 1P WITH NTC CABLE ASSEMBLY		
ORIGINAL	THIS DOCUMENT CONTAINS PROPRIETARY INFORMATION WHICH IS THE CONFIDENTIAL PROPERTY OF Amphenol PCD Shenzhen Co. Ltd Amphenol PCD Shenzhen Co. Ltd RESERVES THE RIGHT TO CLARIFY THIS DRAWING		Amphenol PCD Shenzhen ENGR Jun-09-2023	SIZE A3	DWG NO. C-HVCOIFS506NTLXXXX
			APPD	SCALE 1:1	REV 3
				SHEET 1 OF 1	

C-HVCOIFS506NTLXXXX

C-HVCOIFS506NTLXXXX