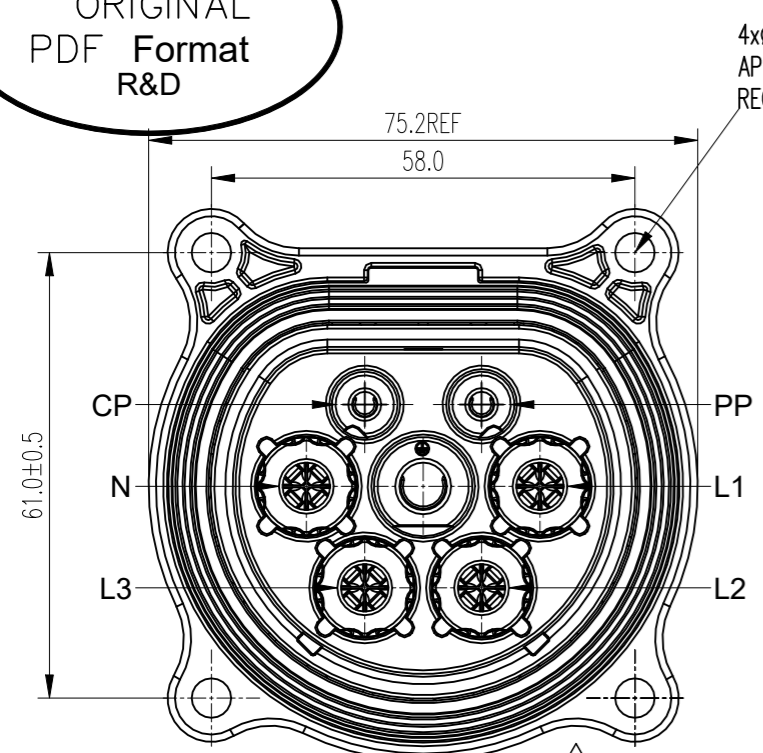
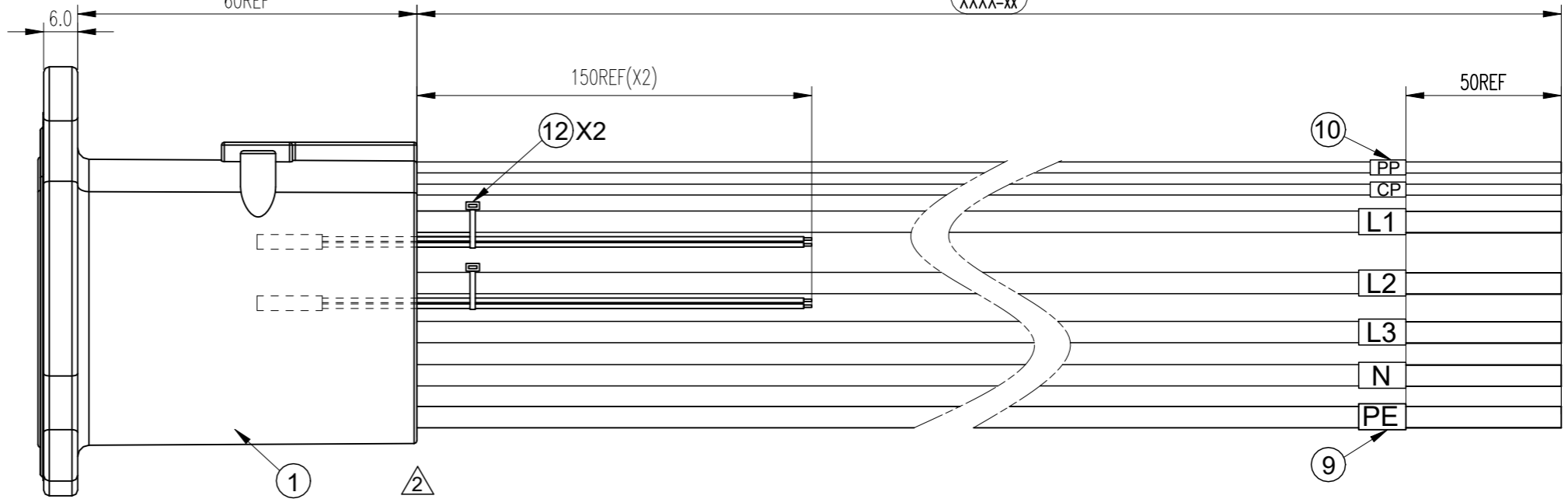


REV	ECN	DESCRIPTION	DATE	MODIFIED
1		RELEASE	Jun-09-2023	
2	R7372N-2	CHANGE STRUCTURE	Sep-19-2023	
3	R8330N	UPDATE THE VIEW	Sep-18-2024	

Amphenol ORIGINAL PDF Format R&D



4x ϕ 5.4 \pm 0.1 Δ
APPLICABLE M5 SCREWS AND WASHERS
RECOMMENDED TORQUE:2.5N.m Max
60REF



XXXX-XX
+XX

C-HVCOSFS706PTLXXXX

C-HVCOSFS706PTLXXXX

IEC SOCKET Δ

CABLE CONNECT METHOD

②	6mm ² (Brown)	L1
③	6mm ² (Black)	L2
④	6mm ² (Gray)	L3
⑤	6mm ² (Blue)	N
⑥	6mm ² (Ye/Gn)	PE
⑦	0.5mm ² (Red)	PP
⑧	0.5mm ² (Black)	CP

HVCOSFS706PTL XXXX

LENGTH	TOLERANCE
0~1000mm	+25 -10
1001~5000mm	+40 -10
>5000mm	+50 -20

- *Notes:
- Cable assembly data:
 - Rated voltage: 480V AC (L1 & L2 & L3 & N & PE); 30V DC (CP & PP);
 - Rated current: 32A (L1 & L2 & L3 & N); 2A (CP & PP);
 - IP-Class: IP2XB, IP55 (Mated), IPXXD (L1 & L2 & L3 & N)
 - Insulation resistance: 100M Ω Min / 500V DC
 - Withstand voltage: 2000V AC / L1 & L2 & L3 & N & PE
500V AC / PP & CP
 - Durability: >10000 cycles;
Insertion&Extraction force: <100N
 - RoHS compliance
Ambient temperature: -30 $^{\circ}$ C to +50 $^{\circ}$ C
 - Reference standard: IEC 62196-2; CE, UKCA Marking
 - Installed towards down, install standard reference:
C-P02B000235
 - The cable should be fixed at 100mm max from the rear of connector
 - Cable minimum bending radius: \geq 5*OD

⑫	C210003609	CABLE TIE BLACK	2	EA
⑪	P01BN00749	PT1000 Φ 3X12 R ₀ C=1000 Ω 24AWG WHITE	2	EA
⑩	C210006837	H.S.T: ϕ 3.2 WHITE NOT MARKING	0.05	m
⑨	P05B000006	H.S.T: ϕ 6.0 WHITE NOT MARKING	0.10	m
⑧	C210030045	0.5mm ² UNSHIELDING BLACK OD=1.6 \pm 0.1	AR	m
⑦	C210030046	0.5mm ² UNSHIELDING RED OD=1.6 \pm 0.1	AR	m
⑥	C210030042	6mm ² UNSHIELDING YELLOW/GREEN,XLPE OD=5.1 \pm 0.2	AR	m
⑤	P01BC00200	6mm ² TINNED UNSHIELDING BLUE, XLPE OD=5.1 \pm 0.2	AR	m
④	P01BC00201	6mm ² TINNED UNSHIELDING GRAY, XLPE OD=5.1 \pm 0.2	AR	m
③	P01BC00202	6mm ² TINNED UNSHIELDING BLACK, XLPE OD=5.1 \pm 0.2	AR	m
②	P01BC00199	6mm ² TINNED UNSHIELDING BROWN,XLPE OD=5.1 \pm 0.2	AR	m
①	P02B000235	SOCKET-OUTLET OF SHUTTER: P02B000235 BLACK	1	EA

DIMENSIONS	TOLERANCES	PROJECTION	Amphenol PCD Shenzhen		TITLE		
ANSI Y14.5M UNITS: MM CAD FILE	.X \pm 0.5 .XX \pm 0.05 ANGLES \pm 2.0 $^{\circ}$		ENGR	Sep-18-2024	IEC SOCKET OUTLET OF SHUTTER 32A 3P WITH PT1000 CABLE ASSEMBLY		
ORIGINAL	THIS DOCUMENT CONTAINS PROPRIETARY INFORMATION WHICH IS THE CONFIDENTIAL PROPERTY OF Amphenol PCD Shenzhen Co. Ltd Amphenol PCD Shenzhen Co. Ltd RESERVES THE RIGHT TO CLARIFY THIS DRAWING		CHKD		SIZE	DWG NO.	REV
			APPD		A3	C-HVCOSFS706PTLXXXX	3
					SCALE	NA	SHEET 1 OF 1