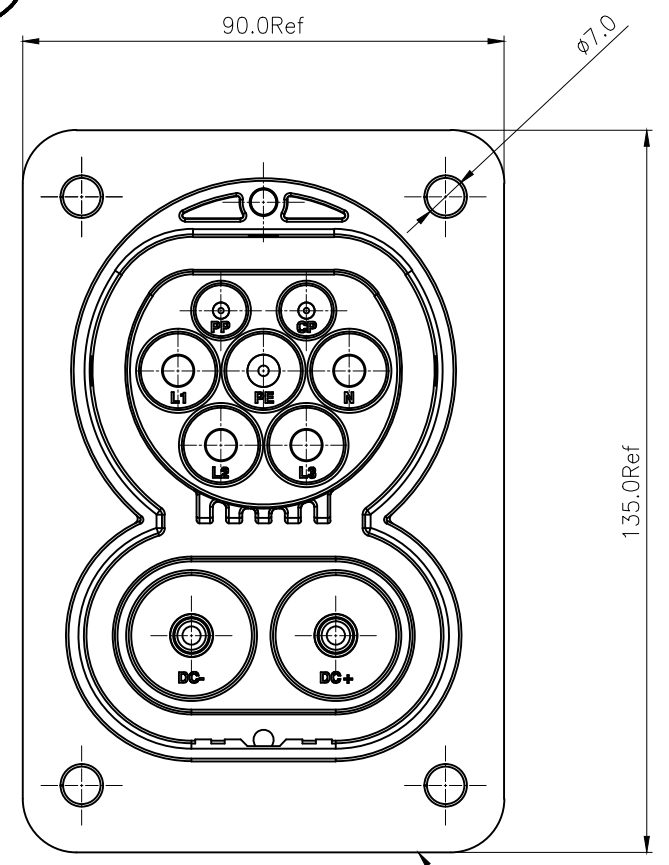
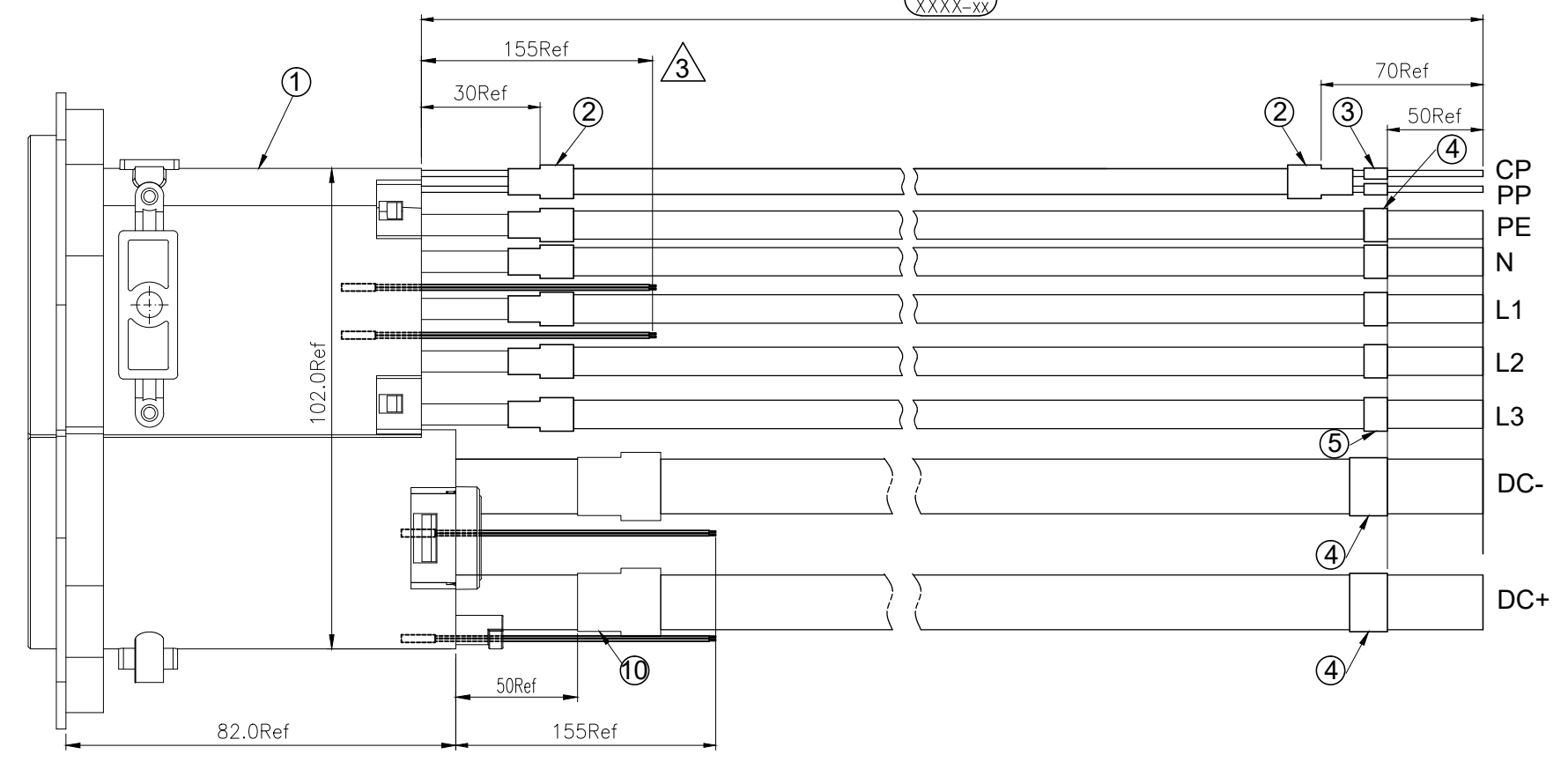


REV	ECN	DESCRIPTION	DATE	MODIFIED
1		PRE-RELEASE	2019-03-25	
2	C3485W	3-IVb CHANGED TO 3-IVa	2019-07-20	
3	C5615N	ADD SENSOR ON L1&N	2021.10.28	

ORIGINAL
PDF Format
R&D



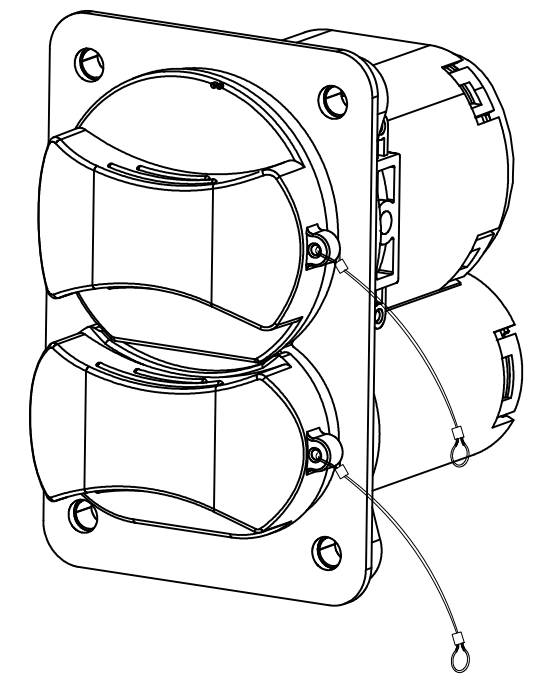
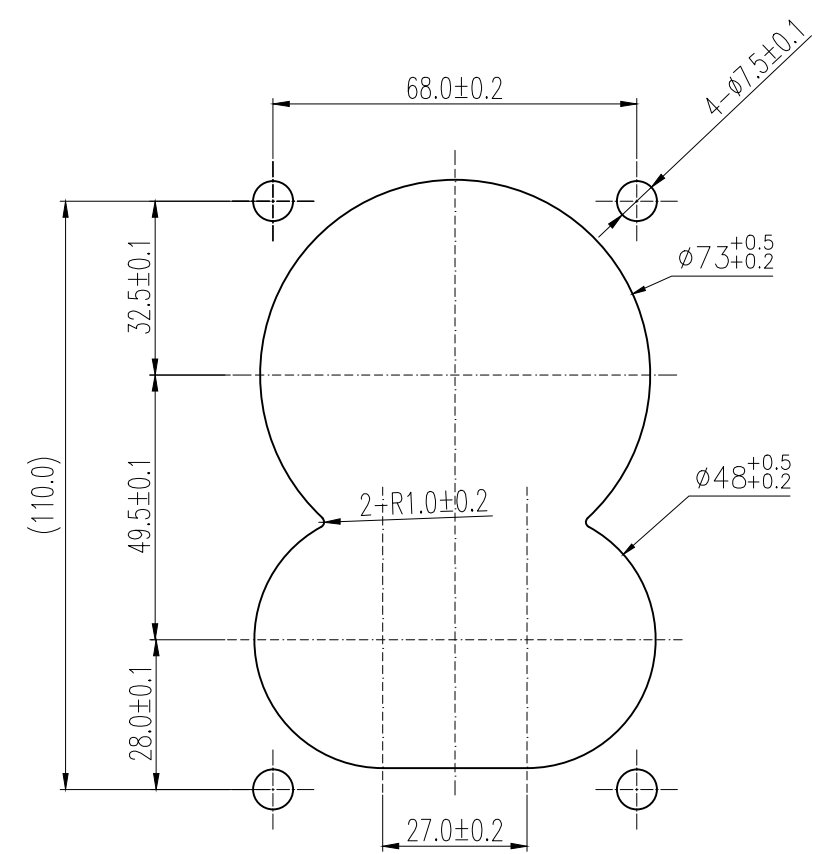
IEC COMBO
FOR VEHICLE COUPLER SOCKET



XXXX-XX
+XX

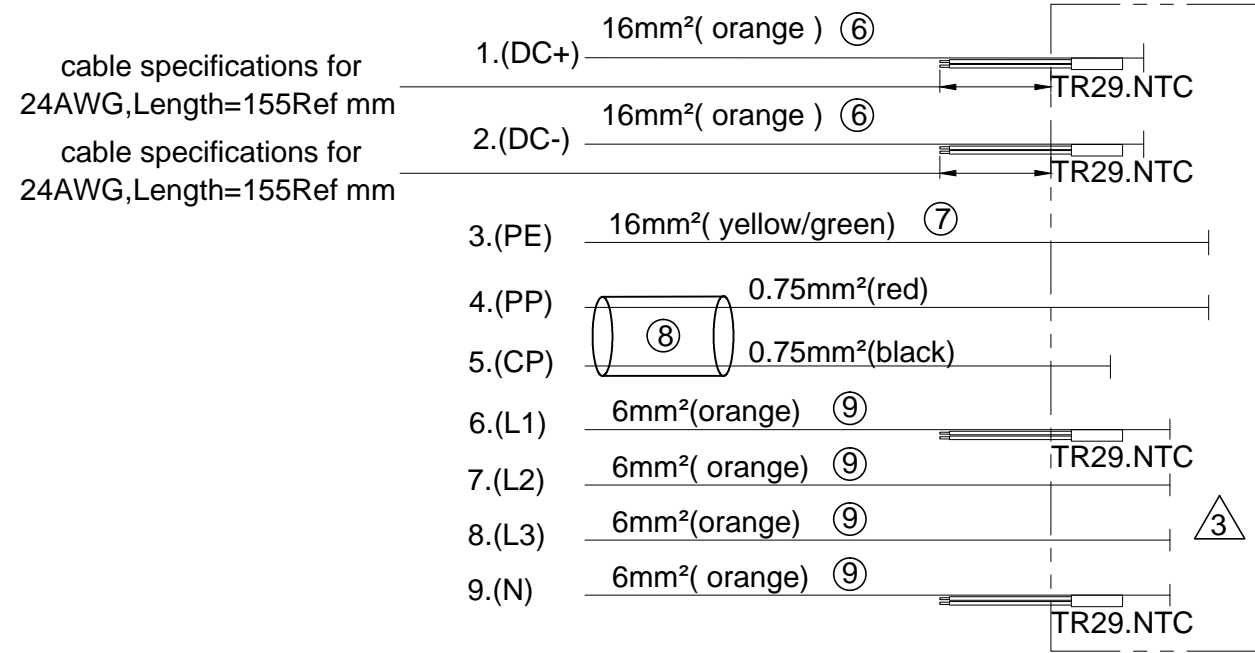
C-HVCOCF6ATR8SF916LXXXX

C-HVCOCF6ATR8SF916LXXXX



DIMENSIONS	TOLERANCES	PROJECTION	Amphenol PCD Shenzhen		TITLE		
ANSI Y14.5M UNITS: MM CAD FILE	.X ± 0.5 .XX ± 0.05 ANGLES ± 2.0°		ENGR	2019-07-20	IEC COMBO FOR VEHICLE COUPLER SOCKET 65A CABLE ASSEMBLY		
ORIGINAL	THIS DOCUMENT CONTAINS PROPRIETARY INFORMATION WHICH IS THE CONFIDENTIAL PROPERTY OF Amphenol PCD Shenzhen Co. Ltd Amphenol PCD Shenzhen Co. Ltd RESERVES THE RIGHT TO CLARIFY THIS DRAWING	CHKD	<i>Joule</i>	APPD	SIZE A3	DWG NO. C-HVCOCF6ATR8SF916LXXXX	REV 3
		CODE: 58982	SCALE	SHEET 1 OF 2			

CABLE CONNECT METHOD



cable specifications for
24AWG,Length=155Ref mm
cable specifications for
24AWG,Length=155Ref mm

*Notes:

- 1.Cable assembly data:
 - ✦Rated Voltage&Rated Current:
 - DC+:1000V DC 65A;
 - DC-:1000V DC 65A;
 - PE: 16mm² GROUND;
 - L1&L2&L3&N: 480V AC 32A;
 - PP: 30V DC 2A;
 - CP:30V DC 2A;
 - IEC COMBO operating Temperature:-30°C ~ +105°C;
 - ✦Insulation Resistance:100MΩ Min/DC 500V(L1&L2&L3&N&PP&CP);
100MΩ Min/DC 1000V(DC+&DC-);
 - ✦Withstand Voltage:3000V/AC r.m.s(DC+&DC-);
 - ✦Withstand Voltage:2000V/AC r.m.s(L1&L2&L3&N);500V/AC r.m.s(PP&CP);
 - ✦IP-Class: IP44(mated);
 - ◎Durability:10000 cycles;
 - ✦RoHS Compliance;
 - IEC COMBO ambient Temperature: -30°C ~ +50°C;
- 2.IEC COMBO reference: C-HVCOCF6ATR8SF916L0000;
Reference For, 62196-3;

3.HVCOCF6ATR8SF916LXXXX

LENGTH	TOLERANCE
0~1000MM	+25 -10
1001~5000MM	+40 -10
>5000MM	+50 -20

⑩	H.S.T5	DOUBLE-WALL H.S.T: Ø12 BLACK	0.15	m
⑨	CABLE4	1C*6mm² SHIELDING ORANGE OD=7.7±0.2	AR	m
⑧	CABLE3	2*0.75mm² SHIELDING ORANGE OD=6.7±0.3	AR	m
⑦	CABLE2	1C*16mm² UNSHIELDING YELLOW/GREEN OD=8.8±0.2	AR	m
⑥	CABLE1	1C*16mm² SHIELDING ORANGE OD=11.2±0.3	AR	m
⑤	H.S.T4	SINGLE-WALL H.S.T: Ø8 WHITE	0.08	m
④	H.S.T3	SINGLE-WALL H.S.T: Ø14 WHITE	0.02	m
③	H.S.T2	SINGLE-WALL H.S.T: Ø3.2 WHITE	0.04	m
②	H.S.T1	DOUBLE-WALL H.S.T: Ø8 BLACK	0.1	m
①	IEC COMBO	HVCOCF6ATR8SF916L0000	1	EA
ITEM	NAME	DESCRIPTION	QTY	UNIT

SIZE	DWG NO.	REV
A3	C-HVCOCF6ATR8SF916LXXXX	3
CODE: 58982	SCALE	SHEET 2 OF 2

C-HVCOCF6ATR8SF916LXXXX

C-HVCOCF6ATR8SF916LXXXX