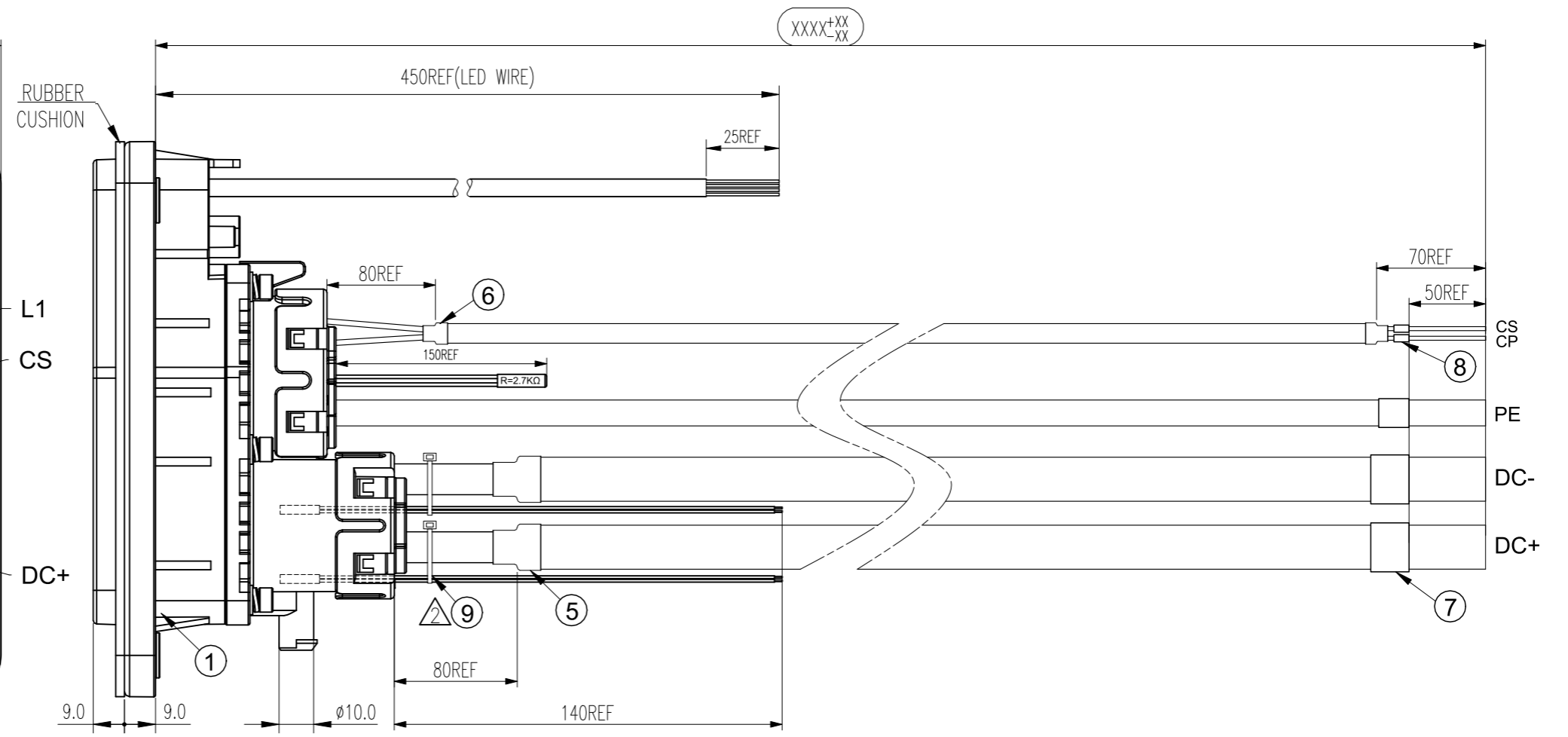
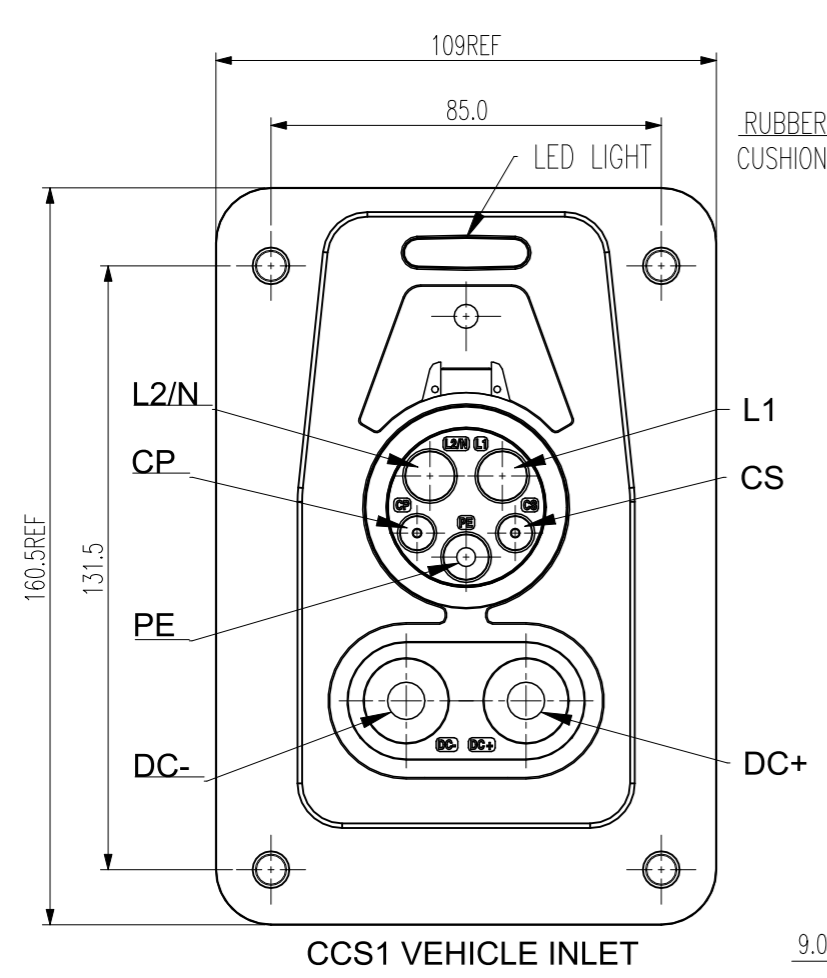


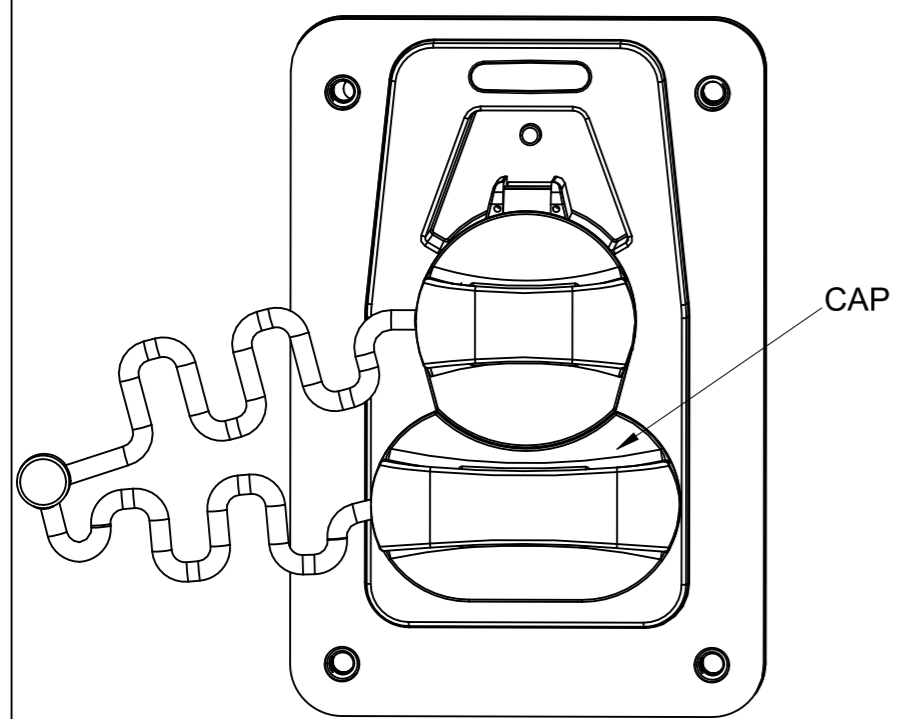
REV	ECN	DESCRIPTION	DATE	MODIFIED
1		RELEASE	Jul-15-2023	.
2	R7657N	ADD CABLE TIES	Feb-04-2024	.

PDF Format
R&D



HVCOSF008DL XXXX

LENGTH	TOLERANCE
0~1000mm	+25 -10
1001~5000mm	+40 -10
>5000mm	+50 -20

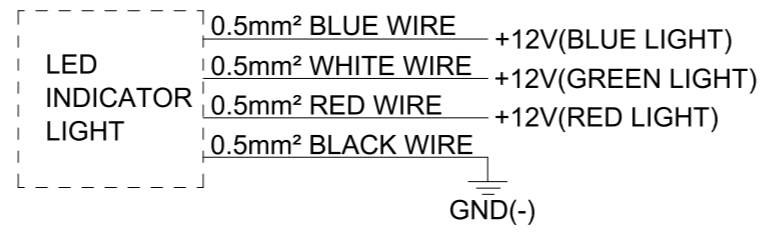


DIMENSIONS	TOLERANCES	PROJECTION	TITLE			
ANSI Y14.5M UNITS: MM CAD FILE	.X ± 0.5 .XX ± 0.05 ANGLES ± 2.0°		CCS1 Vehicle Inlet DC1000V/65A;With LED Cable Assembly			
ORIGINAL	THIS DOCUMENT CONTAINS PROPRIETARY INFORMATION WHICH IS THE CONFIDENTIAL PROPERTY OF Amphenol PCD Shenzhen Co. Ltd Amphenol PCD Shenzhen Co. Ltd RESERVES THE RIGHT TO CLARIFY THIS DRAWING	ENGR	Amphenol PCD Shenzhen		DATE	Jul-15-2023
		CHKD	SIZE	DWG NO.	REV	
		APPD	A3	C-HVCOSF008DLXXXX	2	
			SCALE	NA	SHEET	1 OF 2

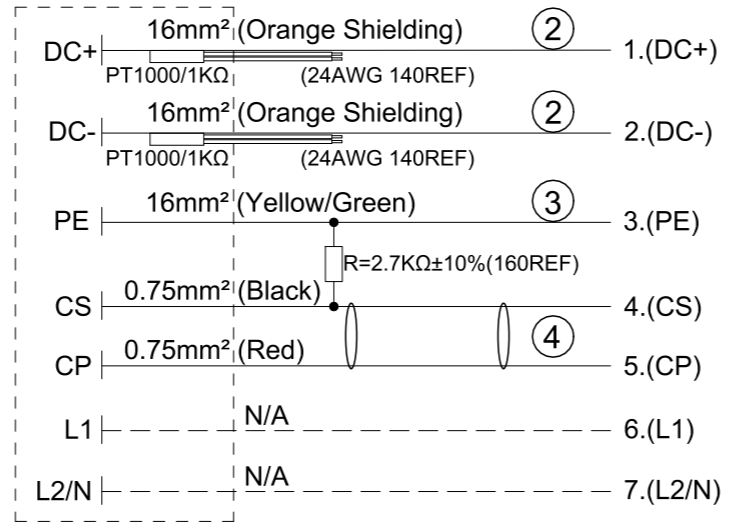
C-HVCOSF008DLXXXX

C-HVCOSF008DLXXXX

WIRE DIAGRAM FOR LED INDICATOR LIGHT



CABLE CONNECT METHOD LABEL



*Notes:

- Cable assembly data:
 - ✦ Rated Voltage&Rated Current:
 - DC+:1000V DC, 65A MAX;
 - DC-: 1000V DC, 65A MAX;
 - PE: 16mm² Ground;
 - CS:30V DC 2A;
 - CP:30V DC 2A;
 - ✦ Insulation Resistance:100MΩ Min(DC 1000V /DC+&DC-);
100MΩ Min(DC 500V /CP);
 - ✦ Withstand Voltage:3000V/AC r.m.s(DC+&DC-);
500V/AC r.m.s(CP);
 - ✦ IP-Class(mated): IP44(Mated)
IP55(With LIDS)
IP67(Connector Enclosure)
- ©Durability:10000 cycles(SAE COMBO PLUG);
- ✦RoHS Compliance;
Ambient Temperature: -30°C ~ +50°C;
- REFERENCE:C-HVCOSFXXXD
- REFERENCE Standard: IEC62196-2&3:2014; UL2251;J1772
- The cable should be fixed at 100mm max from the rear of connector
- Cable minimum bending radius:≥5OD
- Add cable ties to fix sensor wires to avoid pulling out

⑨	C210003609	BLACK CABLE TIE	2	EA
⑧	C210006837	H.S.T Ø 3.2MM WHITE LABEL	0.05	m
⑦	C210006511	H.S.T Ø 12MM WHITE LABEL	0.10	m
⑥	C210006440	DOUBLE-WALL H.S.T: Ø8 BLACK	0.06	m
⑤	C210000088	DOUBLE-WALL H.S.T: Ø12 BLACK	0.10	m
④	P01BC00029	2C*0.75mm ² SHIELDING ORANGE OD=6.7±0.3,ID=2.3±0.15	AR	m
③	C210030043	1C*16mm ² UNSHIELDING YELLOW/GREEN OD8.8±0.2	AR	m
②	P01BC00153	1C*16mm ² SHIELDING ORANGE OD9.9±0.3, ID6.9±0.3	AR	m
①	HVCOSF008D	HVCOSF008D,65A/DC,NO AC,BLACK,WITH CAP, LED	1	EA
ITEM	P/N	DESCRIPTION	QTY	UNIT

SIZE	DWG NO.	REV
A3	C-HVCOSF008DLXXXX	2
SCALE	SHEET	2 OF 2
NA		

C-HVCOSF008DLXXXX

C-HVCOSF008DLXXXX