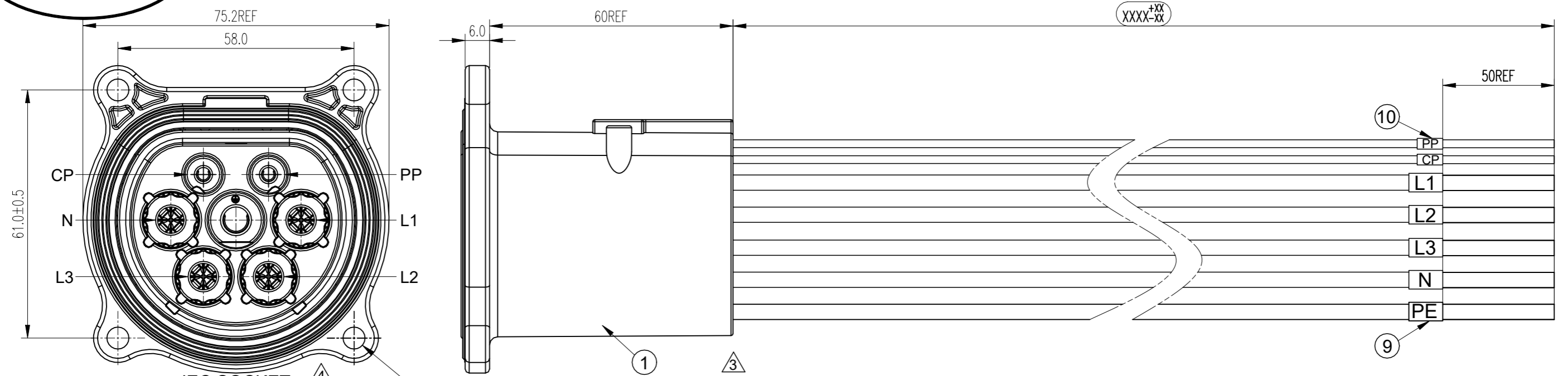


3	R7372N-2	CHANGE STRUCTURE	Sep-19-2023	REV	ECN	DESCRIPTION	DATE	MODIFIED
4	R8330N	UPDATE THE VIEW	Sep-14-2024	1		RELEASE	Dec-20-2022	
				2	R7113W	CHANGED HOLE FORM 7MM TO 5.4MM	Jun-09-2023	

Amphenol
ORIGINAL
PDF Format
R&D

CONFIDENTIAL



IEC SOCKET CABLE CONNECT METHOD

6mm ² (Brown)	②	L1
6mm ² (Black)	③	L2
6mm ² (Gray)	④	L3
6mm ² (Blue)	⑤	N
6mm ² (Ye/Gn)	⑥	PE
0.5mm ² (Red)	⑦	PP
0.5mm ² (Black)	⑧	CP

4xØ5.4±0.1
③ APPLICABLE M5 SCREWS AND WASHERS
RECOMMENDED TORQUE:2.5N.m Max

HVCOSFS706L XXXX

- *Notes:
- Cable assembly data:
 - Rated voltage: 480V AC (L1 & L2 & L3 & N & PE); 30V DC (CP & PP);
 - Rated current: 32A (L1 & L2 & L3 & N); 2A (CP & PP);
 - IP-Class: IP2XB, IP55 (Mated), IPXXD (L1 & L2 & L3 & N)
 - Insulation resistance: 100MΩ Min / 500V DC
 - Withstand voltage: 2000V AC / L1 & L2 & L3 & N & PE 500V AC / PP & CP
 - Durability: >10000 cycles; Insertion&Extraction force: <100N
 - RoHS compliance
Ambient temperature: -30°C to +50°C
 - Reference standard: IEC 62196-2; CE, UKCA Marking
 - Installed towards down, install standard reference: C-P02B000235
 - The cable should be fixed at 100mm max from the rear of connector
 - Cable minimum bending radius: ≥5*OD

LENGTH	TOLERANCE
0~1000mm	+25 -10
1001~5000mm	+40 -10
>5000mm	+50 -20

ITEM	P/N	DESCRIPTION	QTY	UNIT
⑩	C210006837	H.S.T:Ø3.2 WHITE NOT MARKING	0.05	m
⑨	P05B000006	H.S.T:Ø6.0 WHITE NOT MARKING	0.10	m
⑧	C210030045	0.5mm ² UNSHIELDING BLACK OD=1.6±0.1	AR	m
⑦	C210030046	0.5mm ² UNSHIELDING RED OD=1.6±0.1	AR	m
⑥	C210030042	6mm ² UNSHIELDING YELLOW/GREEN,XLPE OD=5.1±0.2	AR	m
⑤	P01BC00200	6mm ² TINNED UNSHIELDING BLUE, XLPE OD=5.1±0.2	AR	m
④	P01BC00201	6mm ² TINNED UNSHIELDING GRAY, XLPE OD=5.1±0.2	AR	m
③	P01BC00202	6mm ² TINNED UNSHIELDING BLACK, XLPE OD=5.1±0.2	AR	m
②	P01BC00199	6mm ² TINNED UNSHIELDING BROWN,XLPE OD=5.1±0.2	AR	m
①	P02B000235	IEC SOCKET-OUTLET OF SHUTTER: P02B000235 BLACK	1	EA

DIMENSIONS	TOLERANCES	PROJECTION	TITLE		
ANSI Y14.5M UNITS: MM CAD FILE	.X ± 0.5 .XX ± 0.05 ANGLES ± 2.0°		Amphenol PCD Shenzhen		
ORIGINAL	THIS DOCUMENT CONTAINS PROPRIETARY INFORMATION WHICH IS THE CONFIDENTIAL PROPERTY OF Amphenol PCD Shenzhen Co. Ltd Amphenol PCD Shenzhen Co. Ltd RESERVES THE RIGHT TO CLARIFY THIS DRAWING	ENGR	IEC SOCKET OUTLET OF SHUTTER 32A 3P CABLE ASSEMBLY		
		CHKD	SIZE	DWG NO.	REV
		APPD	A3	C-HVCOSFS706LXXXX	4
			SCALE	NA	SHEET 1 OF 1

C-HVCOSFS706LXXXX

C-HVCOSFS706LXXXX