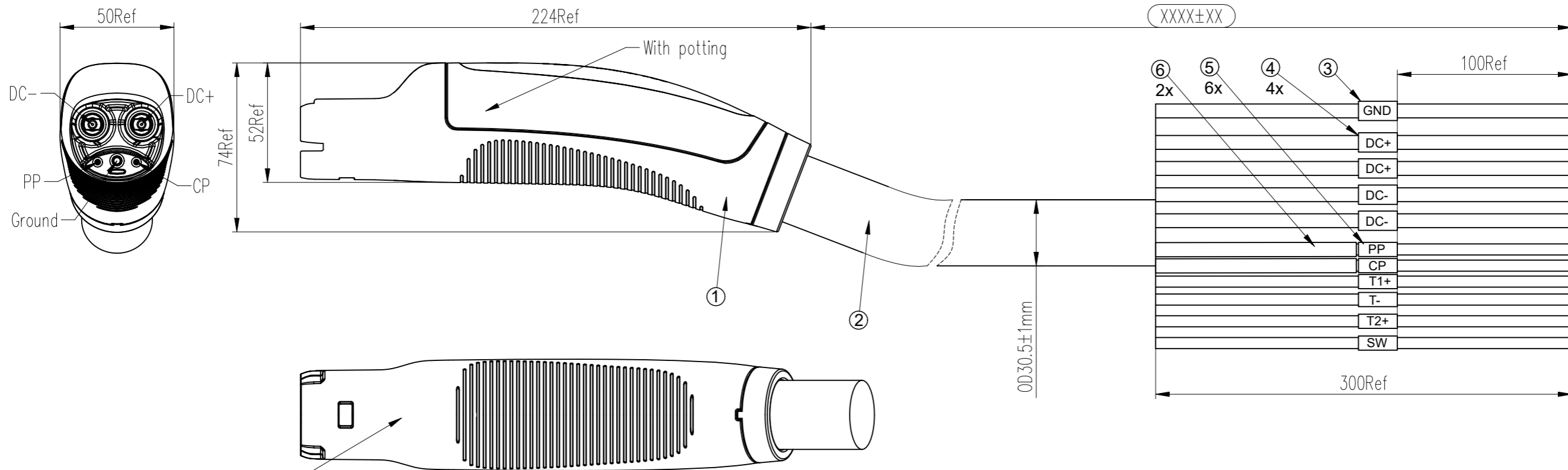


REV	ECN	DESCRIPTION	DATE	MODIFIED
1		RELEASE	Feb-28-2024	

Amphenol PCD SZ  
ORIGINAL  
PDF Format  
R&D

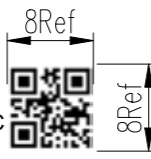


C-HVCON1MB250APLXXXX

C-HVCON1MB250APLXXXX

LASER MARKING

TYPE:HVCON1MB250APLXXXX  
T/N:XXXXXXXX YYWW  
Rated:250A,1000Vdc A&T:-40°C~+50°C  
CAUTION:Not for current interrupting.  
CAUTION:Do not use if there is any damage to the EV cable or the connector  
IP-Class:Type 3S XX



QR code,  
Content including:Part number  
#Work order number  
# Serial number ex:0001  
(ex:HVCON1MB250APLXXXX#XXXXXXXX#0001)



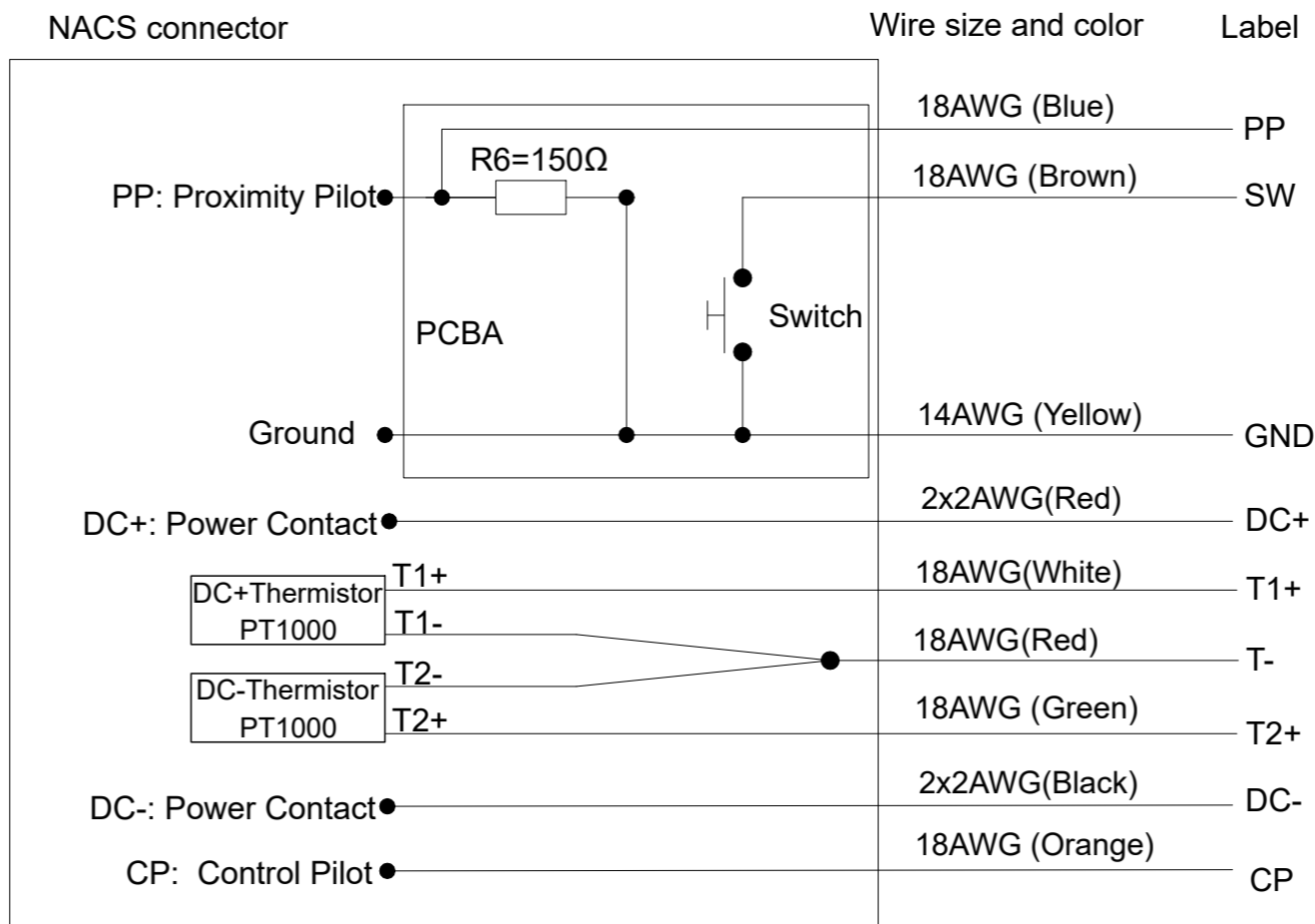
Can not print UL logo until Amphenol gets Certificate

CN:Made in China  
MX:Made in Mexico  
US:Made in US

T/N:XXXXXXXXYYWW  
Work order number + batch number+year+Week  
Font: Arial

DIMENSIONS	TOLERANCES	PROJECTION	TITLE		
ANSI Y14.5M UNITS: MM CAD FILE	.X ± 0.50 .XX ± 0.05 ANGLES ± 2°		Amphenol PCD Shenzhen		
ORIGINAL	THIS DOCUMENT CONTAINS PROPRIETARY INFORMATION WHICH IS THE CONFIDENTIAL PROPERTY OF Amphenol PCD Shenzhen Co. Ltd Amphenol PCD Shenzhen Co. Ltd RESERVES THE RIGHT TO CLARIFY THIS DRAWING	ENGR	NACS DC 250A VEHICLE CONNECTOR WITHOUT UHF CABLE ASSEMBLY		
		CHKD	Feb-28-2024		
		APPD	SIZE A3	DWG NO. C-HVCON1MB250APLXXXX	REV 1
			SCALE 1:2	SHEET 1 OF 2	

DC Mode of Connection  
WITHOUT UHF



\*Notes:

1.Cable assembly data:

✦ Rated Voltage: 1000V DC(DC+&DC-),30V DC(CP&PP);

✦ Rated Current: 250A Max(DC+&DC-)

2A Max(CP&PP);

✦ Insulation Resistance: 100MΩ Min(1000V DC FOR DC+&DC-,500V DC for others)

✦ Withstand Voltage: 4200V/DC(DC+&DC-); Others 700V/DC

✦ IP-Class: IP67( enclosure);Type 3S(Plugged in)

✦ RoHS Compliance

2.Ambient Temperature: -40°C ~ +50°C(+55°C max,Current reduction required, when the working temperature is beyond 90°C)

3.NACS Plug reference: C-HVCON1MBXXXAPL0000

4.Cable Minimum Bending Radius: 10 OD

© 5.Durability: ≥ 20,000 cycles

6.Weight of Cable: app 1.8kg/m

7.Cable Length Tolerance:

Total Length	Tolerance
0~1000mm	±50
1001~5000mm	±100
>5000mm	±200

⑥	C210000080	SINGLE-WALL H.S.T: Ø5.0 BLACK	0.4	m
⑤	P05B000029	SINGLE-WALL H.S.T: Ø3.0 WHITE	0.14	m
④	C210006511	SINGLE-WALL H.S.T: Ø12.7 WHITE	0.12	m
③	C210000081	SINGLE-WALL H.S.T: Ø5.0 WHITE	0.02	m
②	P01BC00298	4X2AWG+14AWG+3X2X18AWG BLACK OD30.5	AR	m
①	HVCON1MB250A	NACS 250A VEHICLE CONNECTOR 2XPT1000 NO UHF	1	EA
ITEM	P/N	DESCRIPTION	QTY	UNIT

SIZE	DWG NO.	REV
A3	C-HVCON1MB250APLXXXX	1
SCALE	NA	SHEET 2 OF 2