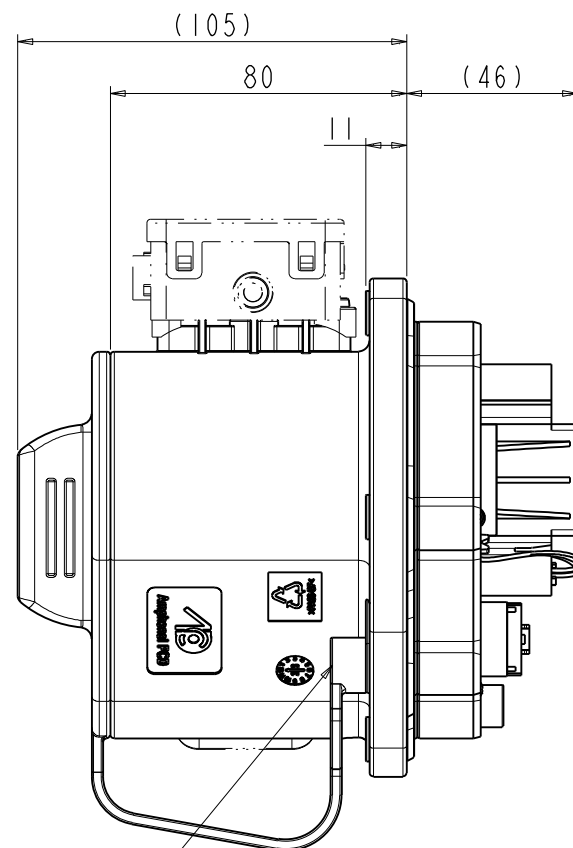
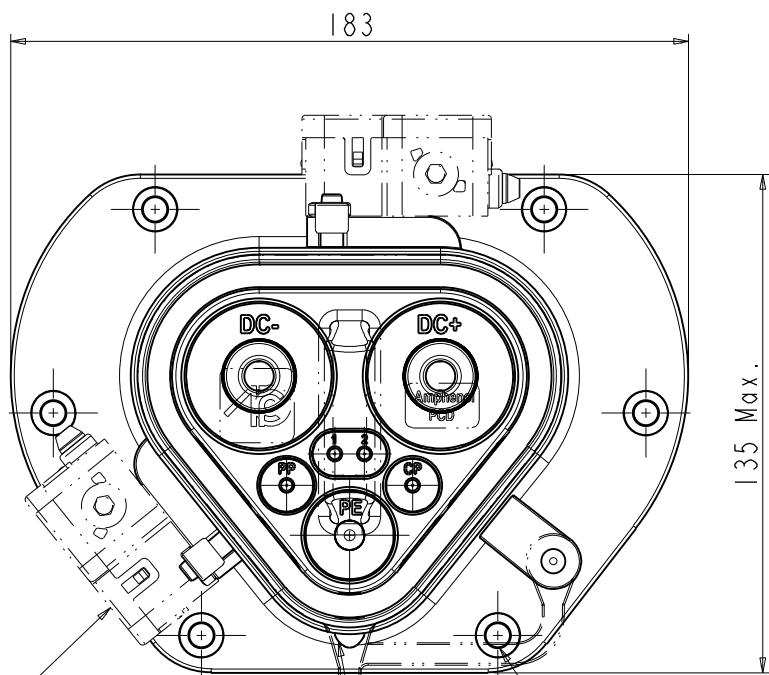
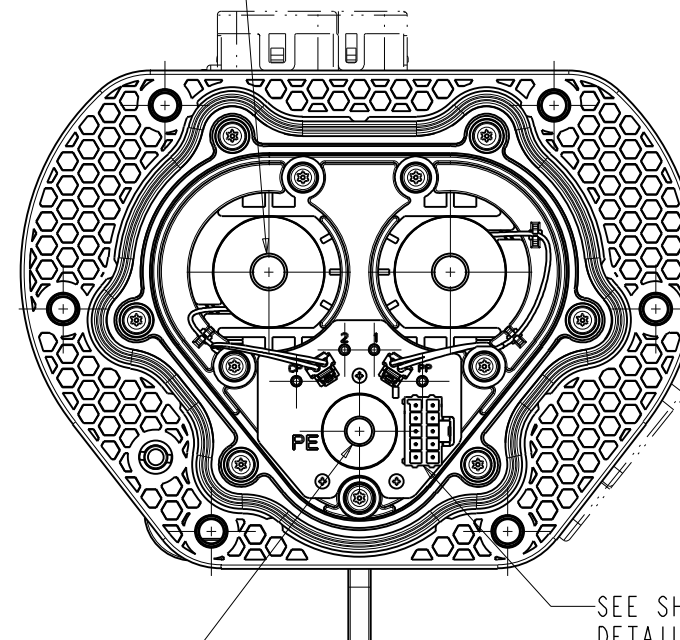


REV	ECN	DESCRIPTION	DATE	MODIFIED
1		PRE- RELEASE	Apr/20/2023	Amos

Amphenol PCDSZ
ORIGINAL
PDF Format
R&D



M10x1.5 THREAD
DEEPTH: 10 MIN.
2 PLS



SEE SHEET 2 FOR
DETAIL CONNECTIONS
APPLICABLE SIGNAL
CONNECTOR
MOLEX 172258 10 PINS
OR SEPARATELY ORDER
WIRE HARNESS ASSEMBLY

E-LOCK
SEPARATELY ORDER

DRAIN HOLE

M6 SCREW AND
WASHER APPLICABLE
6 PLS

INTEGRATED CAP FIXED

M8x1.25 THREAD
DEEPTH:10 MIN.

C-HVCO4FN003

C-HVCO4FN003

NOTES:

1. MATERIAL:

HOUSING: THERMOPLASTICS, UL94V-0, BLACK
CONTACT: COPPER ALLOY, SILVER PLATED.
CAP: THERMOPLASTICS, BLACK.

2. RATED VOLTAGE: DC 1500 V MAX.

RATED CURRENT: 3000 A MAX. (CUSTOMIZE BUSBAR)

SIGNAL: DC 30V 2A MAX.

WITHSTANDING VOLTAGE: DC 4000 V

ALTITUDE: UP TO 4500 M

DURABILITY: 20000 CYCLES (UNLOAD)

IP 67 RATED FOR BOX MOUNTING

IP 44 RATED FOR MATING

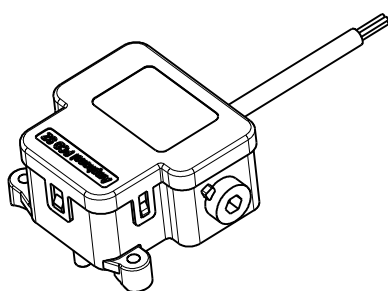
IP 55 RATED WITH CAP

AMBIENT TEMPERATURE: -30°C~50°C

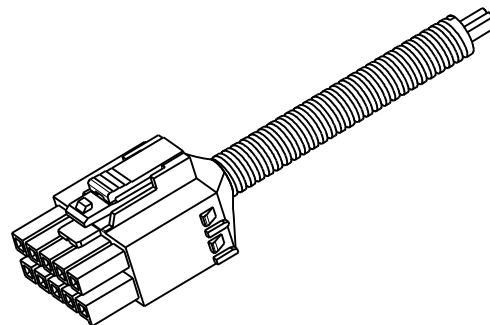
3. TEMPERATURE MINITORING SENSOR: PT 1000

FOR DC POWER CONTACTS.

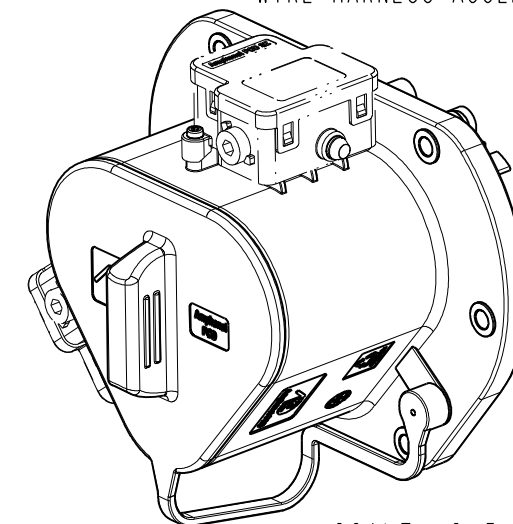
PT1000 MEETS EN 60751 REQUIREMENTS.



E-LOCK ASSEMBLY
P/N:HVELI2SS001S2

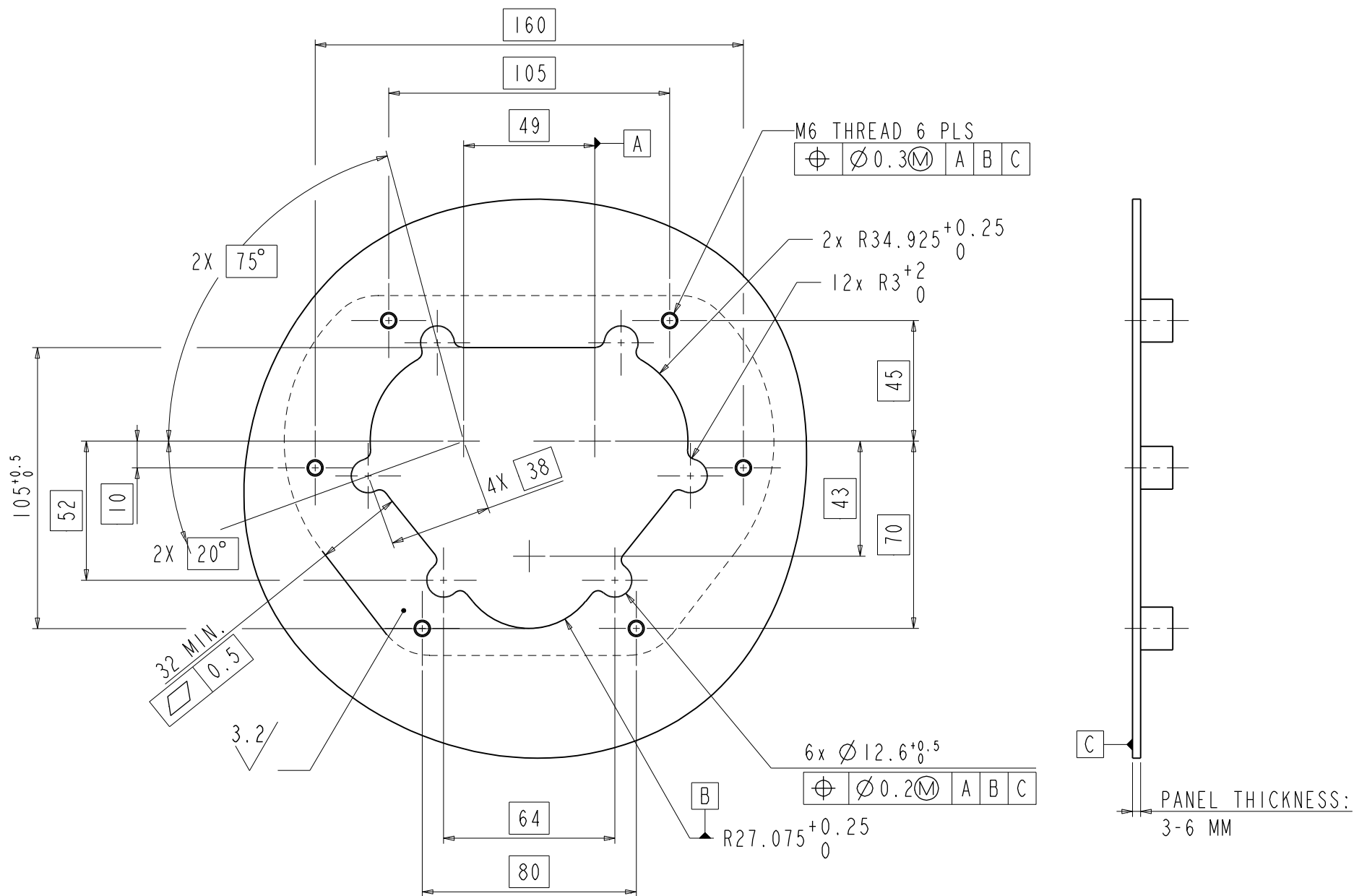


WIRE HARNESS
P/N:P08B004141

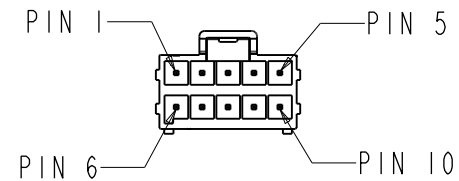


SCALE 2:5

DIMENSIONS	TOLERANCES	PROJECTION	TITLE		
ANSI Y14.5M UNITS: MM Pro/E FILE	X ±0.5 XX ±0.05 ANGLES ±2°		MCS INLET INTEGRATED CAP FRONT BOX MOUNTING ASSEMBLY		
ORIGINAL	THIS DOCUMENT CONTAINS PROPRIETARY INFORMATION WHICH IS THE CONFIDENTIAL PROPERTY OF Amphenol PCD Shenzhen Co. Ltd Amphenol PCD Shenzhen Co. Ltd RESERVES THE RIGHT TO CLARIFY THIS DRAWING		Amphenol PCD Shenzhen		SIZE
			ENGR Amos Zhou Apr/20/2023	A3	
			CHKD Jouk APPD Zin	DWG NO. C-HVCO4FN003	REV 1
			SCALE: 1:2		SHEET 1 OF 2



SCALE 1:2
PANEL DRILLING



INLET PIN IDENTIFY		SIGNAL CONNECTOR
CP	-----	1
PP	-----	2
1	-----	4
2	-----	5
DC+ T(+) _{PT1000}	-----	6
DC+ T(-) _{PT1000}	-----	7
DC- T(+) _{PT1000}	-----	9
DC- T(-) _{PT1000}	-----	10

DETAIL CONNECTIONS

C-HVCO4FN003

C-HVCO4FN003

安费诺精密连接器(深圳)有限公司
Amphenol PCD Shenzhen

受控文件

2023年8月1日

SIZE	DWG NO.	REV
A3	C-HVCO4FN003	1
SCALE: 1:2		SHEET 2 OF 2