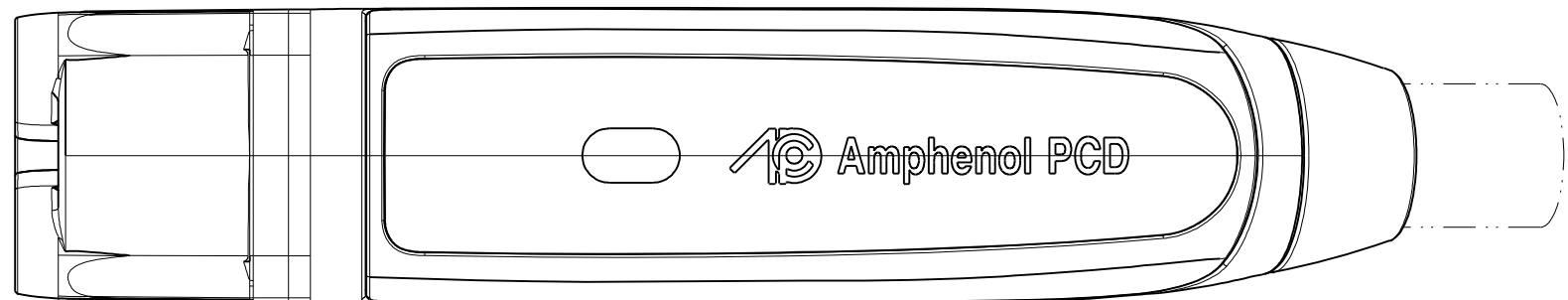
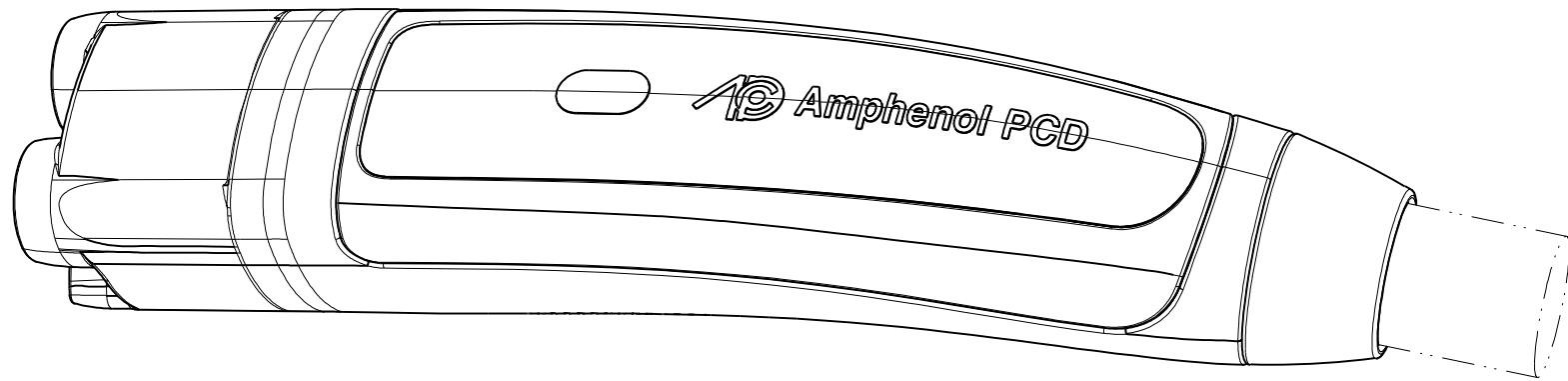


REV	ECN	DESCRIPTION	DATE	MODIFIED
1		PRE-RELEASE	Aug-17-23	二-

Amphenol PCD SZ
ORIGINAL
PDF Format
R&D

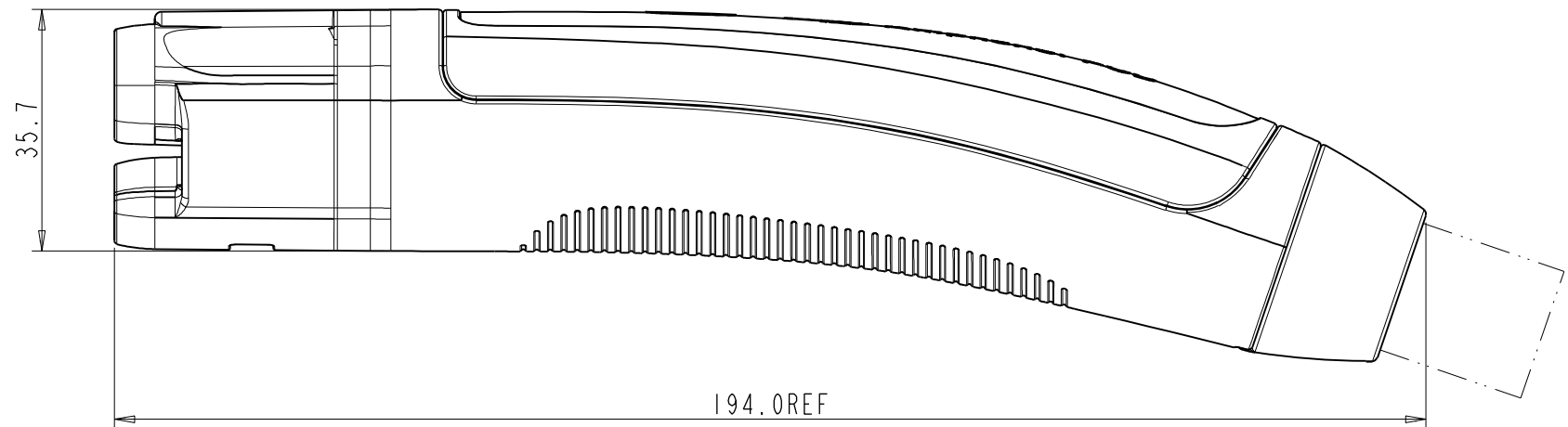
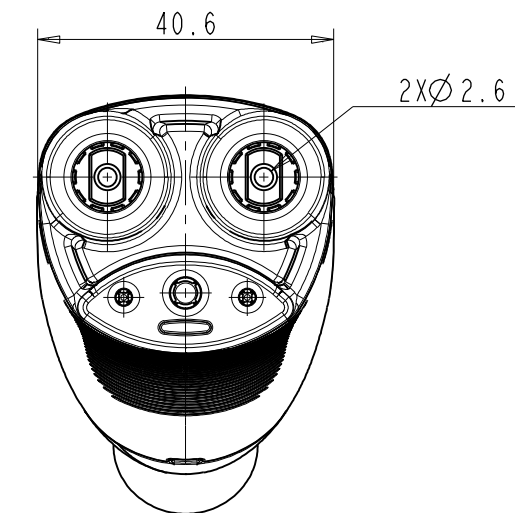
+ CRITICAL CHARACTERISTICS 关键特性
◎ IMPORTANT CHARACTERISTICS 重要特性

TECHNICAL DATA		
CURRENT RATE 6AWG	80A	✦
CURRENT RATE 9AWG	50A	✦
CURRENT RATE 10AWG	40A	✦
CURRENT RATE 22AWG	2A	✦
VOLTAGE RATE	1000VDC 600VAC	✦
OPERRATING TEMPERATURE	-40-105°C	NA
DIELECTRIC WITHSTANDING VOLTAGE	3000V AC	✦
INSULATION RESISTANCE	200MΩ	✦
DURABILITY	10000 CYCLES	◎
IP PROTECTION	IP2XB TYPE 3S(MATED)	✦
AMBIENT TEMPERATURE	-40-50°C	NA
80A CABLE SIZE(JACKET DIAMETER)	∅ 19.4±0.4MM	◎
50A CABLE SIZE(JACKET DIAMETER)	∅ 15.0±0.4MM	◎
40A CABLE SIZE(JACKET DIAMETER)	∅ 11.7-12.8MM	◎



C-HVCON1MAXXAXL0000X

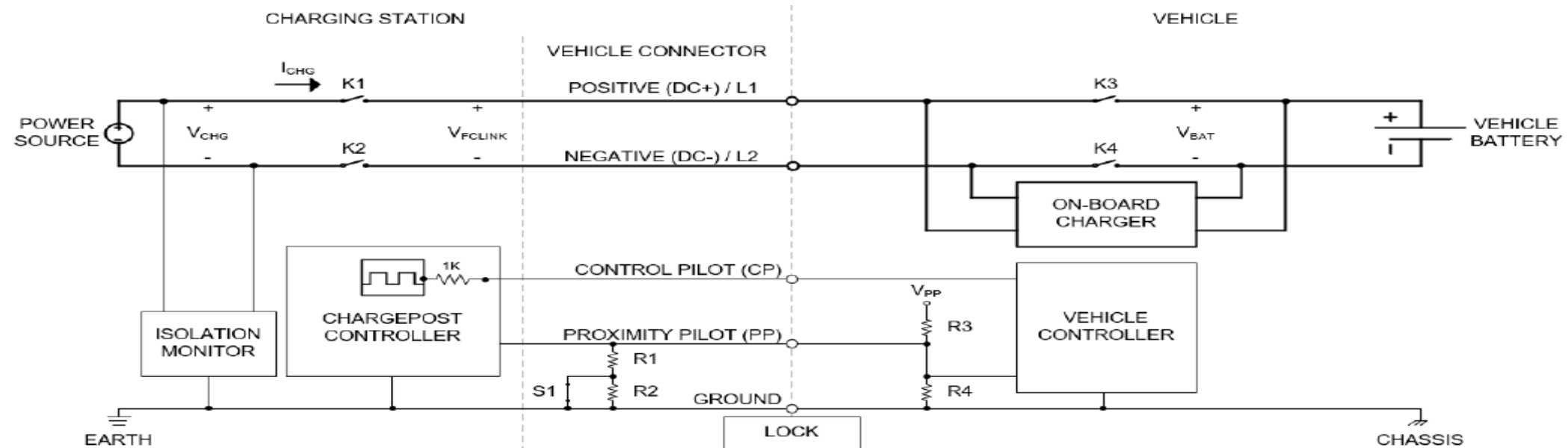
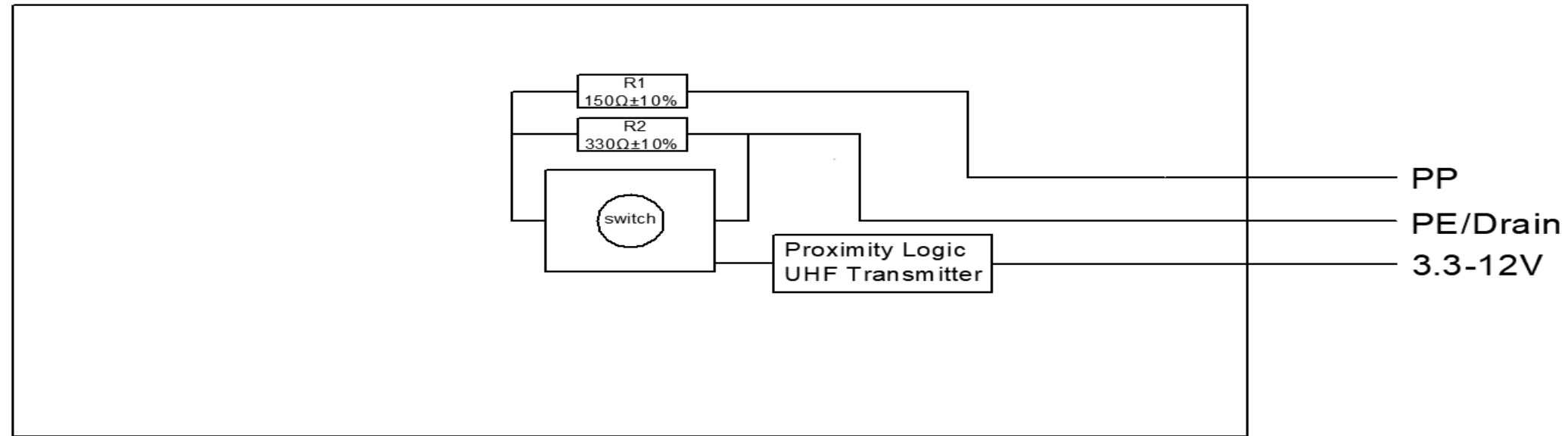
C-HVCON1MAXXAXL0000X



HVCON1MAXXAXL0000X
 U: WITH UHF
 BLANK: WITHOUT UHF
 0000: CABLE LENGTH
 N: NTC
 P: PT1000
 XX: RATED CURRENT

DIMENSIONS	TOLERANCES	PROJECTION	TITLE		
ANSI Y14.5M UNITS: MM Pro/E FILE	.X ±0.5 .XX ±0.05 ANGLES ±2.0		Amphenol PCD Shenzhen		
			ENGR	Aug-17-23	
ORIGINAL	THIS DOCUMENT CONTAINS PROPRIETARY INFORMATION WHICH IS THE CONFIDENTIAL PROPERTY OF Amphenol PCD Shenzhen Co. Ltd Amphenol PCD Shenzhen Co. Ltd RESERVES THE RIGHT TO CLARIFY THIS DRAWING	CHKD	SIZE	DWG NO.	REV
		APPD	A3	C-HVCON1MAXXAXL0000X	1
			SCALE: 1:1		SHEET 1 OF 5

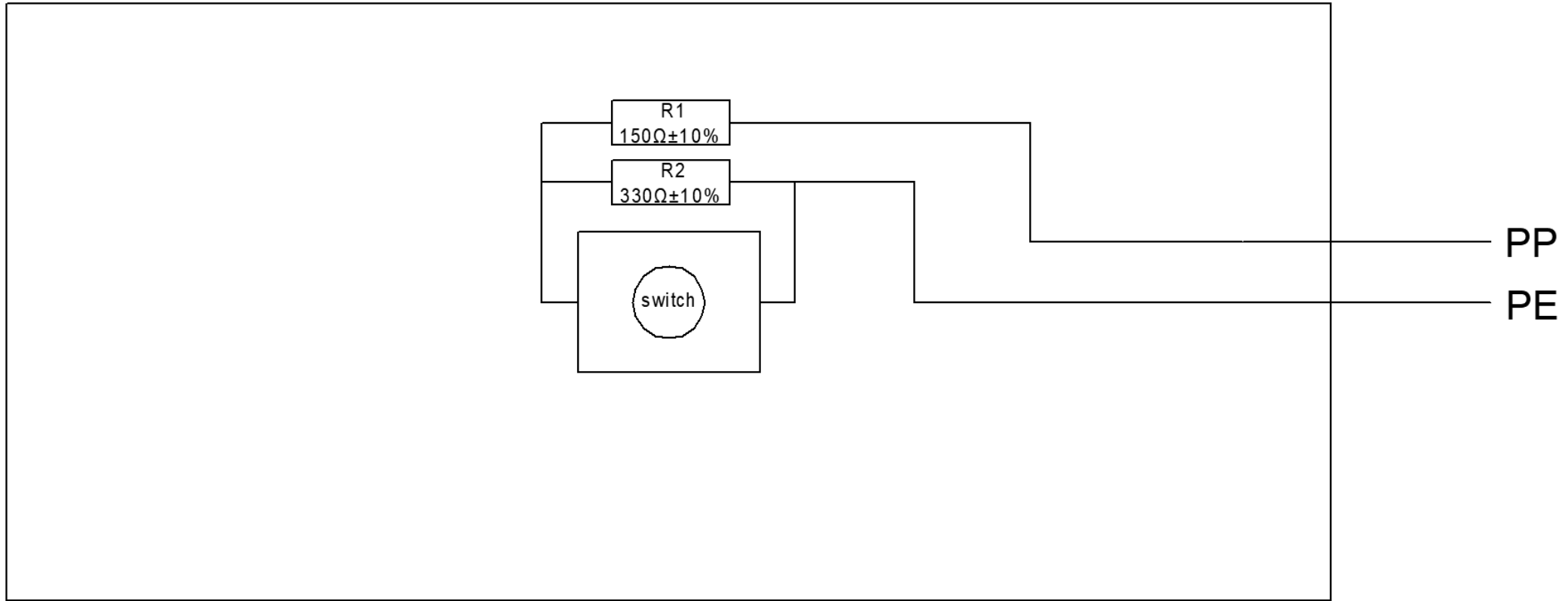
PCBA with UHF schematic diagram



1. UHF transmitter frequency: 434MHz
2. UHF requires input voltage of 3.3-12V and current of <math><0.1A</math>
3. R1 R2 is the equivalent resistance. The Vpp voltage is measured as shown in the table

	Disconnected	SI no pressed	SI pressed
R3		$330\Omega \pm 10\%$	
R4		$2.7K\Omega \pm 10\%$	
Vpp	$4.5V \pm 10\%$	$1.5V \pm 10\%$	$2.8V \pm 10\%$

PCBA without UHF schematic diagram



安费诺精密连接器(深圳)有限公司
Amphenol PCD Shenzhen
受控文件
2023年12月19日

SIZE	DWG NO.	REV
A3	C-HVCONIMAXXAXL0000X	1
SCALE: 1:1		SHEET 3 OF 5

PT1000 R-T

Temperature in °C	0	1	2	3	4	5	6	7	8	9
-40	842,71	846,66	850,62	854,57	858,53	862,48	866,43	870,38	874,32	878,27
-30	882,22	886,16	890,10	894,04	897,98	901,92	905,86	909,80	913,73	917,67
-20	921,60	925,53	929,46	933,39	937,32	941,24	945,17	949,09	953,02	956,94
-10	960,86	964,78	968,70	972,61	976,53	980,44	984,36	988,27	992,18	996,09
0	1000,00	1003,91	1007,81	1011,72	1015,62	1019,53	1023,43	1027,33	1031,23	1035,13
10	1039,03	1042,92	1046,82	1050,71	1054,60	1058,50	1062,39	1066,27	1070,16	1074,05
20	1077,94	1081,82	1085,70	1089,59	1093,47	1097,35	1101,23	1105,10	1108,98	1112,86
30	1116,73	1120,60	1124,47	1128,35	1132,22	1136,08	1139,95	1143,82	1147,68	1151,55
40	1155,41	1159,27	1163,13	1166,99	1170,85	1174,70	1178,56	1182,41	1186,27	1190,12
50	1193,97	1197,82	1201,67	1205,52	1209,36	1213,21	1217,05	1220,90	1224,74	1228,58
60	1232,42	1236,26	1240,10	1243,93	1247,77	1251,60	1255,43	1259,26	1263,09	1266,92
70	1270,75	1274,58	1278,40	1282,23	1286,05	1289,87	1293,70	1297,52	1301,33	1305,15
80	1308,97	1312,78	1316,60	1320,41	1324,22	1328,03	1331,84	1335,65	1339,46	1343,26
90	1347,07	1350,87	1354,68	1358,48	1362,28	1366,08	1369,88	1373,67	1377,47	1381,26
100	1385,06	1388,85	1392,64	1396,43	1400,22	1404,01	1407,79	1411,58	1415,36	1419,14
110	1422,93	1426,71	1430,49	1434,26	1438,04	1441,82	1445,59	1449,37	1453,14	1456,91
120	1460,68	1464,45	1468,22	1471,98	1475,75	1479,51	1483,28	1487,04	1490,80	1494,56

安费诺精密连接器(深圳)有限公司
Amphenol PCD Shenzhen

受控文件

2023年12月19日

SIZE	DWG NO.	REV
A3	C-HVCONIMAXXAXL0000X	1
SCALE: 1:1		SHEET 4 OF 5

NTC R-T

Temperature in °C	0	1	2	3	4	5	6	7	8	9
-40	343.6326	321.2809	300.5339	281.2660	263.3624	246.7177	231.2355	216.8273	203.4118	190.9144
-30	179.2666	168.4053	158.2726	148.8151	139.9837	131.7332	124.0216	116.8107	110.0648	103.7512
-20	97.8396	92.3020	87.1124	82.2471	77.6837	73.4018	69.3823	65.6077	62.0616	58.7288
-10	55.5953	52.6480	49.8747	47.2643	44.8062	42.4906	40.3086	38.2516	36.3117	34.4817
0	32.7547	31.1243	29.5847	28.1301	26.7556	25.4562	24.2274	23.0650	21.9650	20.9239
10	19.9380	19.0041	18.1193	17.2807	16.4857	15.7317	15.0164	14.3376	13.6933	13.0816
20	12.5005	11.9485	11.4239	10.9252	10.4510	10.0000	9.5709	9.1626	8.7738	8.4037
30	8.0512	7.7154	7.3953	7.0903	6.7995	6.5221	6.2576	6.0051	5.7642	5.5342
40	5.3146	5.1049	4.9045	4.7130	4.5300	4.3551	4.1878	4.0278	3.8748	3.7283
50	3.5882	3.4540	3.3255	3.2025	3.0846	2.9717	2.8635	2.7597	2.6603	2.5649
60	2.4734	2.3856	2.3014	2.2206	2.1431	2.0686	1.9970	1.9283	1.8623	1.7989
70	1.7380	1.6794	1.6231	1.5689	1.5168	1.4667	1.4185	1.3722	1.3275	1.2845
80	1.2431	1.2033	1.1649	1.1279	1.0923	1.0580	1.0249	0.9930	0.9623	0.9326
90	0.9040	0.8764	0.8498	0.8241	0.7994	0.7754	0.7523	0.7300	0.7085	0.6877
100	0.6676	0.6482	0.6295	0.6113	0.5938	0.5769	0.5605	0.5447	0.5293	0.5145
110	0.5002	0.4863	0.4729	0.4599	0.4474	0.4352	0.4234	0.4120	0.4009	0.3902
120	0.3799	0.3698	0.3601	0.3506	0.3415	0.3326	0.3240	0.3157	0.3076	0.2998