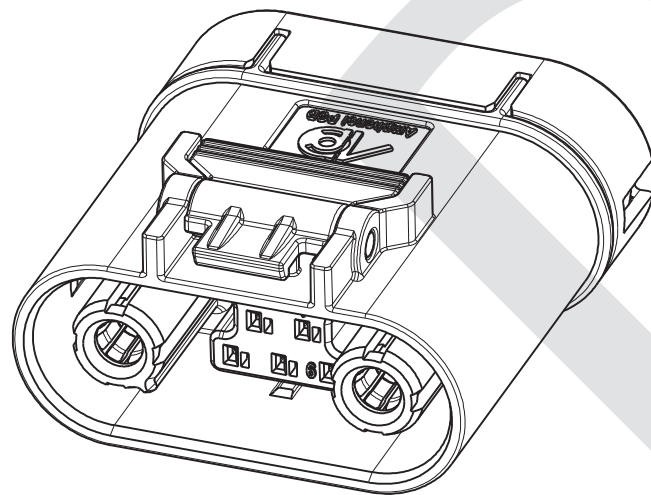
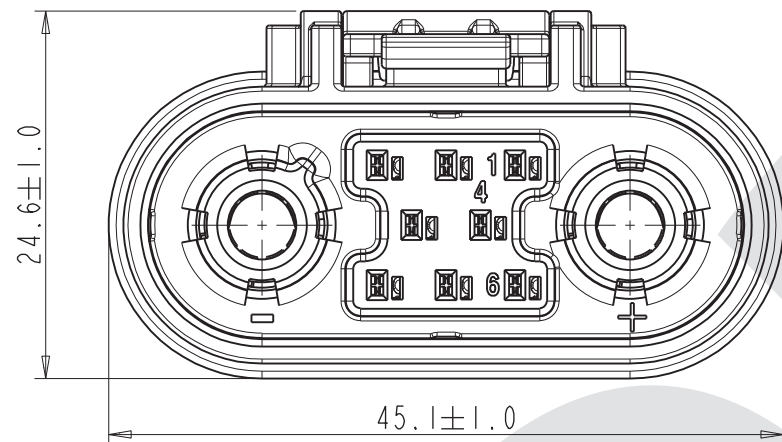
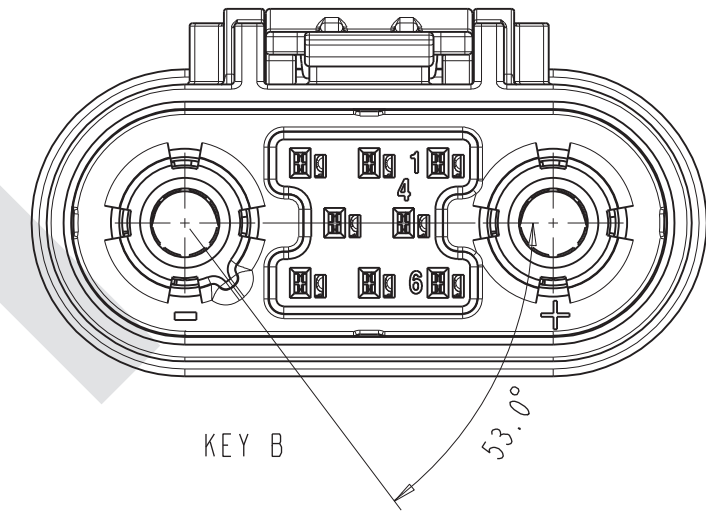
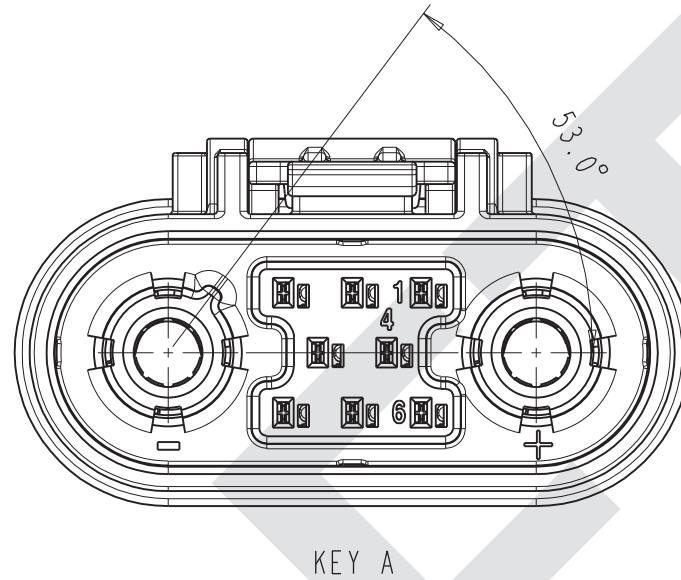
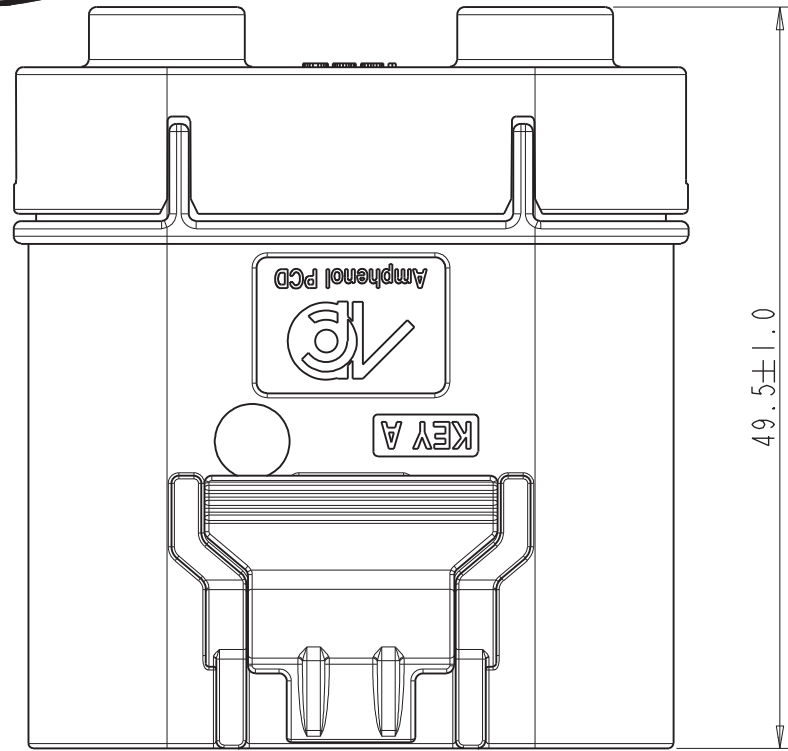


REV	ECN	DESCRIPTION	DATE	MODIFIED
VO-2		PRE- RELEASE	Sep-12-2024	

Amphenol PCDSZ
ORIGINAL
PDF Format
R&D



SCALE 3:2

AL400062 XX X XX

PLUG(180)

SIGNAL PIN QTY

- 04: 4 PIN
- 05: 5 PIN
- 06: 6 PIN
- 07: 7 PIN
- 08: 8 PIN

A: KEY A
B: KEY B

WIRE SPECIFICATION

- 06: 6SQ
- 10: 10SQ
- 16: 16SQ

SCOPE OF CABLE OUTSIDE DIAMETER		
WIRE RANGE	WIRE DIAMETER	REMARK
0.5SQ	1.4-1.6MM	SIGNAL CABLE
6SQ	4.0-4.3MM	POWER CABLE
10SQ	5.3-6.0MM	
16SQ	6.4-7.2MM	

TECHNICAL DATA

WIRE SPECIFICATION	6/10/16SQ (ISO19642-5)	+
CURRENT RATE	6SQ:40A 10SQ:60A 16SQ:80A	+
RATING VOLTAGE (OVERVOLTAGE CATEGORY II POLLUTION DEGREE 2)	900V DC 600V AC	+
OPERATING TEMPERATURE	-40 TO 105°C	
DIELECTRIC WITH STANDING VOLTAGE	4800V DC 2200V AC	+
INSULATION RESISTANCE	200MΩ MIN	+
DURABILITY	3000 CYCLES	◎
SHIELDING	NO	
WATERPROOF(MATED CONDITION)	IP X7	+
RoHS & REACH	YES	+

+ CRITICAL CHARACTERISTICS 关键特性
◎ IMPORTANT CHARACTERISTICS 重要特性

DIMENSIONS	TOLERANCES	PROJECTION	TITLE		
ANSI Y14.5M UNITS: MM Pro/E FILE	.X ±0.5 .XX ±0.05 ANGLES ±2°		AUTOLOK 4000_PLUG_180		
ORIGINAL	THIS DOCUMENT CONTAINS PROPRIETARY INFORMATION WHICH IS THE CONFIDENTIAL PROPERTY OF Amphenol PCD Shenzhen Co. Ltd Amphenol PCD Shenzhen Co. Ltd RESERVES THE RIGHT TO CLARIFY THIS DRAWING				
			SCALE: 2:1		SHEET 1 OF 1

C-AL400062XXXXX

C-AL400062XXXXX